

Freestanding Refrigerator Freezer, 25", 13.5 cu ft

Series 5 | contemporary

Stainless Steel | Left Hinge

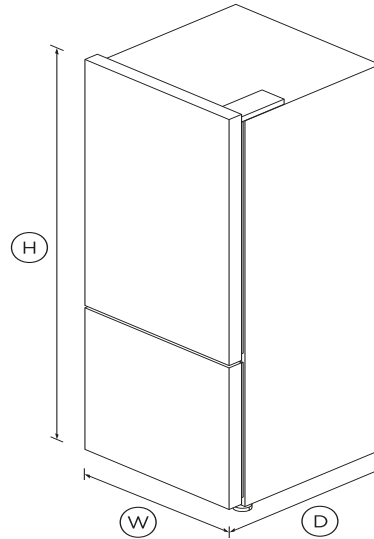


With generous storage and stylish stainless steel design with concealed handles for a more streamlined look.

- ActiveSmart™ technology helps keep food fresher for longer by constantly maintaining the ideal temperature
- Spacious bottom freezer with easy-slide internal drawers to separate storage

DIMENSIONS

Height	67 ³ / ₄ "
Width	25 "
Depth	27 ³ / ₈ "



FEATURES & BENEFITS

ActiveSmart™ Foodcare

ActiveSmart™ Foodcare learns how you live. It's technology which understands how you use your fridge and adjusts temperature, airflow and humidity inside to help keep food fresher for longer.

Easy cleaning

No more permanent dirty marks with our EZKleen feature for stainless steel refrigerators. Anti-fingerprint coating means you simply wipe clean any marks. Spill-safe secure glass shelves

easily capture any drips or leaks.

Humidity control

Your fruit and veges need different environments. The humidity control slides in each storage bin create a microclimate that helps keep food fresher for longer.

Design quality

Our refrigerators are designed and built using quality materials. We use real stainless steel on our refrigerators and solid glass for shelving.

Clever energy

Your refrigerator adapts to daily use by cooling and defrosting only when needed. This means your refrigerator uses the energy it needs without compromising on food care.

SPECIFICATIONS

Accessories

Contemporary round handle kit	Part number 25378
Hinge	right

Capacity

Freezer	4
Refrigerator	9.5
Total	13.5

Consumption

Energy usage	461kWh/year
--------------	-------------

Freezer features

Bottle chill	•
Fast freeze	•
Frost free freezer	•

Large plastic bin	•	LED lighting	•
Large plastic bins	•	Rear rollers	•
Small plastic bins	2	Spill proof removable bins	•
		Stackable bottle holders	2

Performance

ActiveSmart™ Foodcare	•
ActiveSmart™ technology	•
Adaptive defrost	•
Frost free freezer	•
Sabbath mode	•

Warranty

Parts and labor	2 years
Sealed system parts only	additional 3 years

SKU 25108

Product dimensions





Depth	27 ³ / ₈ "
Depth (Excluding handles)	27 - ³ / ₈ "
Height	67 ³ / ₄ "
Height to top of cabinet	67 - ³ / ₄ "
Minimum air clearance - at rear	1- ³ / ₁₆ " "
Minimum air clearance - each	¹³ / ₁₆ " "
Minimum air clearance - on top	2" "
Width	25 "

The product dimensions and specifications in this page apply to the specific product and model. Under our policy of continuous improvement, these dimensions and specifications may change at any time. You should therefore check with Fisher & Paykel's Customer Care Centre to ensure this page correctly describes the model currently available. © Fisher & Paykel Appliances Ltd 2019.

Refrigerator features

Adjustable door shelves	3
Adjustable glass shelves	4
Covered door shelves	2
Door alarm	•
Front levelling feet	•
Fruit and vegetable bins	2
Full extension runners	•
Humidity control crispers	•

Other product downloads available at fisherpaykel.com

-  [User Guide](#)
-  [Service & Warranty Booklet](#)
-  [Installation Guide](#)
-  [Resources \(zip\)](#)



A PEACE OF MIND SALE

24 Hours 7 Days a Week Customer Support

T 1300 650 590 W www.fisherpaykel.com