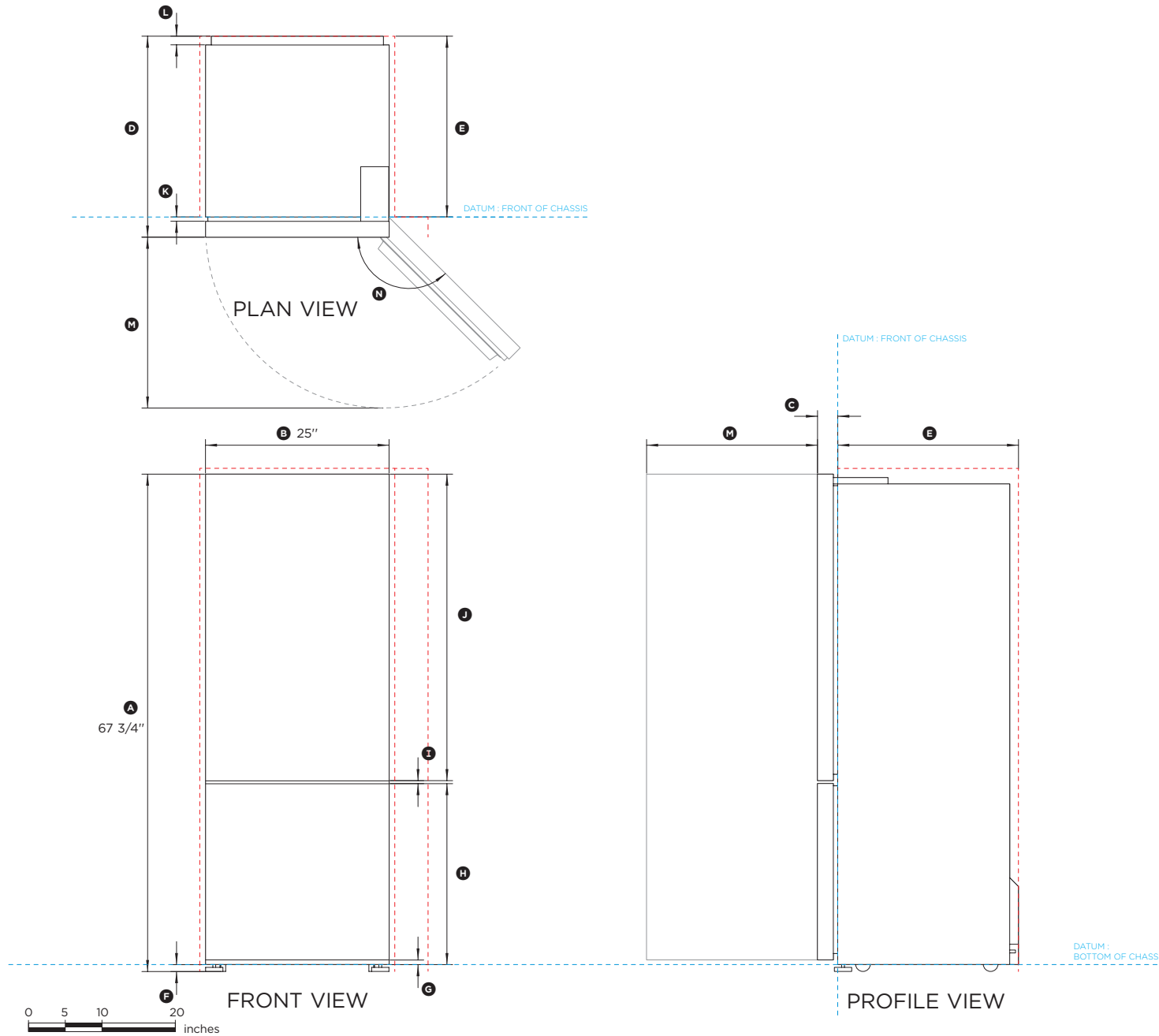


DATA SHEET

635MM ACTIVESMART™ FRIDGE



Model no:

RF402BRPX6, RF402BRPW6, RF402BRYX6, RF402BRYW6, RF135BRPX6, RF135BRPJX6

(refer page 2 for metric measurements)

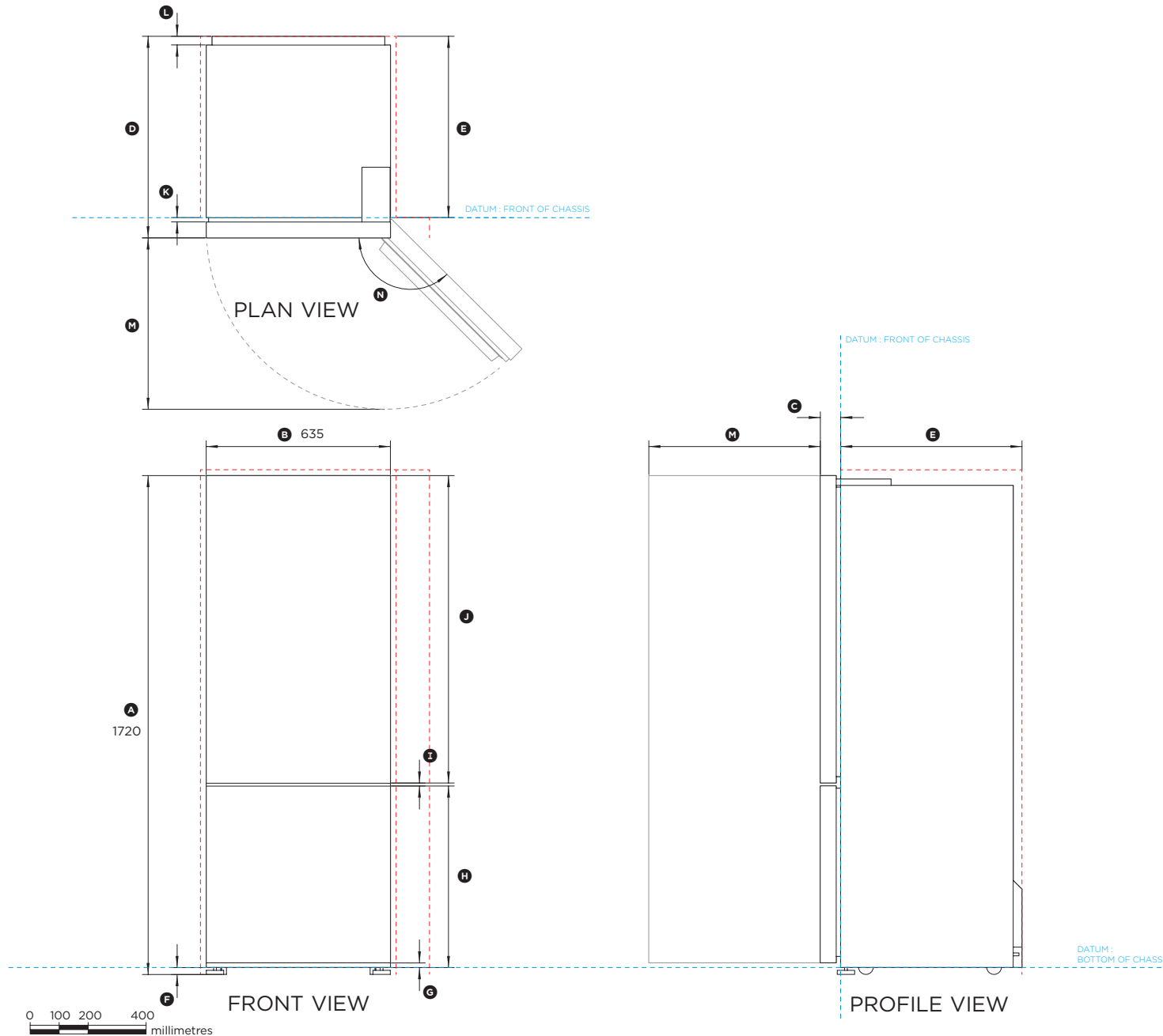
Product Dimensions	in
Ⓐ Overall height* of fridge	67 3/4"
Ⓔ Overall width of fridge	25"
Ⓒ Depth of fridge door and gasket	2 3/4"
Ⓓ Depth of fridge door and chassis	27 3/8"
Ⓔ Depth of fridge chassis (does not include fridge door)	24 5/8"
Ⓕ Height of feet (adjustable)	15/16"
Ⓖ Height from bottom of chassis to bottom of bottom door	5/8"
Ⓗ Height from bottom of chassis to top of bottom door	24 5/8"
Ⓙ Gap between doors	3/8"
Ⓚ Height of top door	41 3/4"
Ⓛ Depth of door gasket	9/16"
Ⓛ Depth of evaporator tray	1 3/16"
Ⓜ Depth of door (open at 90°) (measured from front of door)	23 1/4"
Ⓝ Rotation of door (open)	135°
* Includes mounted feet	
Minimum Clearances	in
Minimum height of cavity	68 1/2"
Minimum side clearance installed flush with chassis	13/16"
Side clearance (hinge side) installed flush with door - full rotation	5 5/16"
Rear clearance (including evaporator tray)	1 3/16"

INDICATES PRODUCT DATUM -----

INDICATES CABINETRY CLEARANCES -----

DATE: 02.12.2016

IMPORTANT NOTE: Throughout this guide, dimensions may vary by ±2mm (3/32"). Please read the installation manual for detailed information on installing the product. For full installation instructions & specifications visit fisherpaykel.com



Model no:

RF402BRPX6, RF402BRPW6, RF402BRYX6, RF402BRYW6, RF135BRPX6, RF135BRPJX6

(refer page 1 for imperial measurements)

Product Dimensions	mm
Ⓐ Overall height* of fridge	1720
Ⓑ Overall width of fridge	635
Ⓒ Depth of fridge door and gasket	70
Ⓓ Depth of fridge door and chassis	695
Ⓔ Depth of fridge chassis (does not include fridge door)	625
Ⓕ Height of feet (adjustable)	24
Ⓖ Height from bottom of chassis to bottom of bottom door	16
Ⓗ Height from bottom of chassis to top of bottom door	626
Ⓘ Gap between doors	10
Ⓚ Height of top door	1060
Ⓛ Depth of door gasket	15
Ⓛ Depth of evaporator tray	30
Ⓜ Depth of door (open at 90°) (measured from front of door)	591
Ⓝ Rotation of door (open)	135°

* Includes mounted feet

Minimum Clearances	mm
Minimum height of cavity	1740
Minimum side clearance installed flush with chassis	20
Side clearance (hinge side) installed flush with door - full rotation	135
Rear clearance (including evaporator tray)	30

INDICATES PRODUCT DATUM -----

INDICATES CABINETRY CLEARANCES -----

DATE: 02.12.2016

IMPORTANT NOTE: Throughout this guide, dimensions may vary by ±2mm (3/32"). Please read the installation manual for detailed information on installing the product. For full installation instructions & specifications visit fisherpaykel.com