

DATA SHEET

790MM ACTIVESMART™ FRIDGE

Model no:

**RF170BRPUX6**

(refer page 2 for metric measurements)

Product Dimensions	in
Ⓐ Overall height* of fridge	67 3/4"
Ⓑ Overall width of fridge	31 1/8"
Ⓒ Depth of fridge door and gasket	2 3/4"
Ⓓ Depth of fridge door and chassis	27 3/8"
Ⓔ Depth of fridge chassis (does not include fridge door)	24 5/8"
Ⓕ Height of feet (adjustable)	15/16"
Ⓖ Height from bottom of chassis to bottom of bottom door	5/8"
Ⓗ Height from bottom of chassis to top of bottom door	24 5/8"
Ⓚ Gap between doors	3/8"
Ⓛ Height of top door	41 3/4"
Ⓜ Depth of door gasket	9/16"
Ⓝ Depth of evaporator tray behind chassis	1 3/16"
Ⓟ Depth of door (open at 90°) (measured from front of door)	29 5/16"
Ⓡ Rotation of door (open)	138°

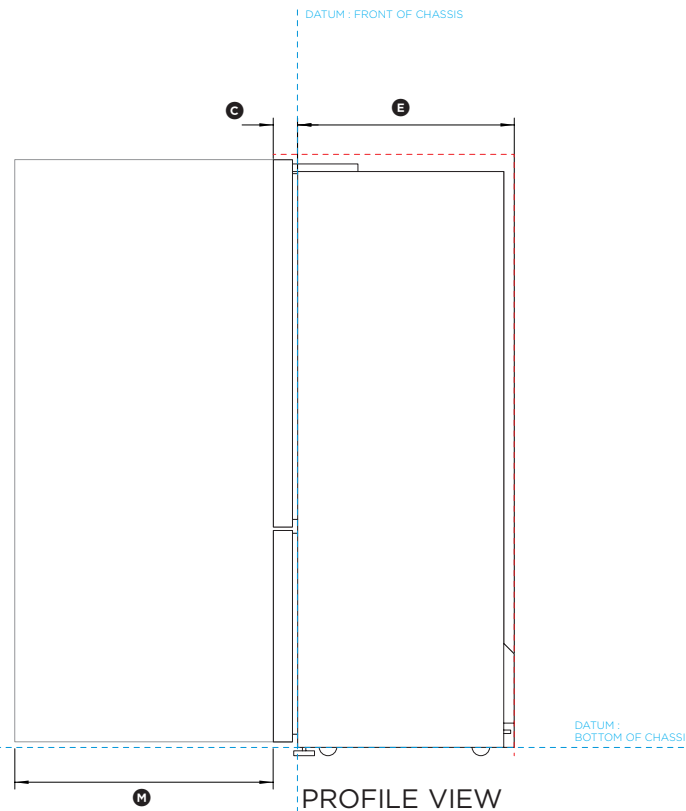
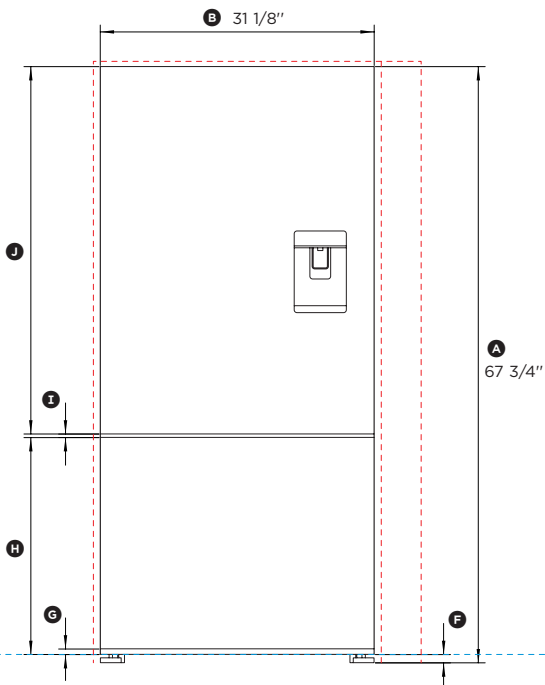
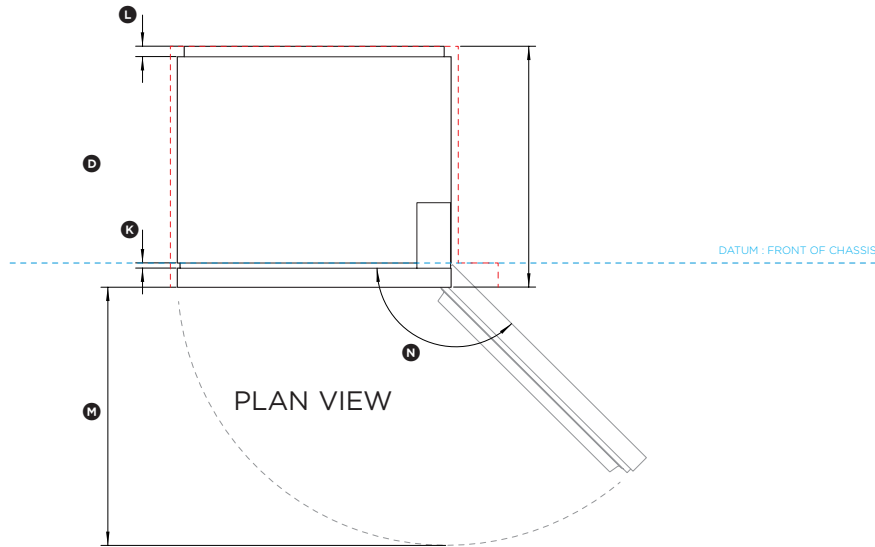
\* Includes mounted feet

Minimum Clearances	in
Minimum height of cavity	68 5/16"
Minimum side clearance installed flush with chassis	13/16"
Side clearance (hinge side) installed flush with door - full rotation	5 5/16"
Rear clearance (including evaporator tray)	1 3/16"

INDICATES PRODUCT DATUM .....  
 INDICATES CABINETRY CLEARANCES .....

DATE: 12.12.2016

IMPORTANT NOTE: Throughout this guide, dimensions may vary by ±2mm (3/32"). Please read the installation manual for detailed information on installing the product. [www.fisherpaykel.com](http://www.fisherpaykel.com)



FRONT VIEW

PROFILE VIEW

DATA SHEET

790MM ACTIVESMART™ FRIDGE

Model no:

**RF170BRPUX6**

(refer page 1 for imperial measurements)

Product Dimensions	mm
Ⓐ Overall height* of fridge	1720
Ⓑ Overall width of fridge	790
Ⓒ Depth of fridge door and gasket	70
Ⓓ Depth of fridge door and chassis	695
Ⓔ Depth of fridge chassis (does not include fridge door)	625
Ⓕ Height of feet (adjustable)	24
Ⓖ Height from bottom of chassis to bottom of bottom door	16
Ⓗ Height from bottom of chassis to top of bottom door	626
Ⓚ Gap between doors	10
Ⓛ Height of top door	1060
Ⓜ Depth of door gasket	15
Ⓝ Depth of evaporator tray behind chassis	30
Ⓟ Depth of door (open at 90°) (measured from front of door)	745
Ⓡ Rotation of door (open)	138°

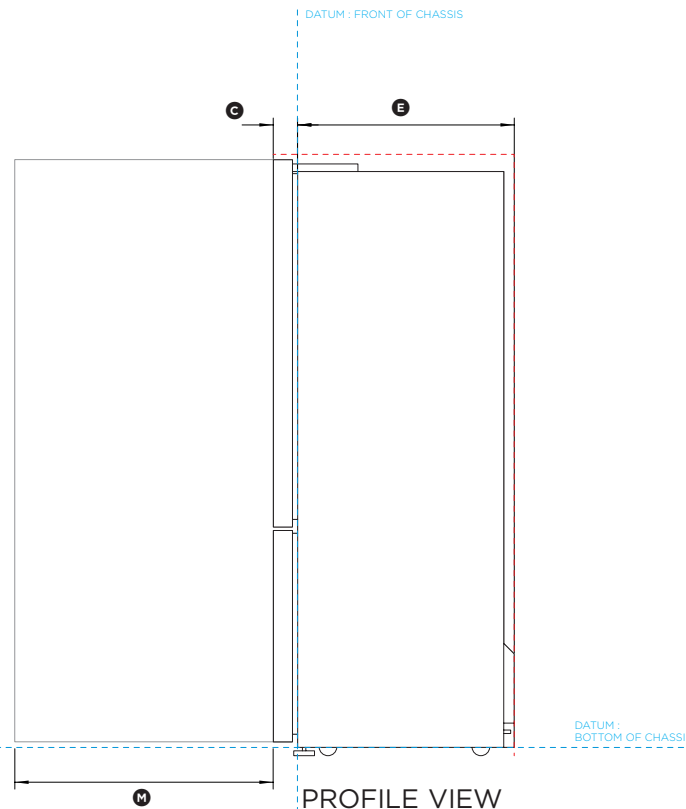
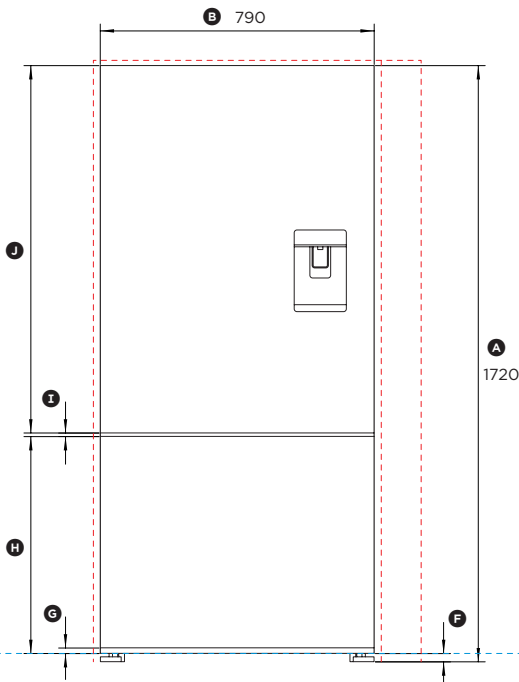
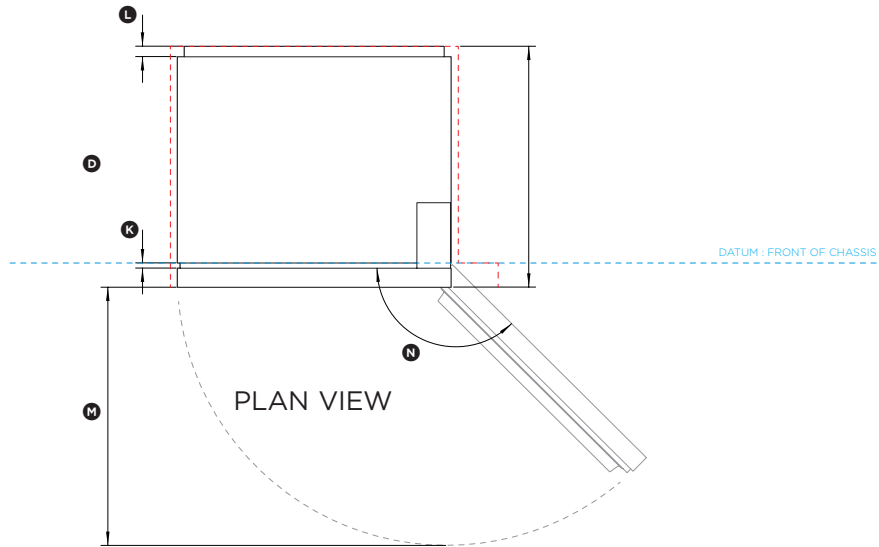
\* Includes mounted feet

Minimum Clearances	mm
Minimum height of cavity	1735
Minimum side clearance installed flush with chassis	20
Side clearance (hinge side) installed flush with door - full rotation	135
Rear clearance (including evaporator tray)	30

INDICATES PRODUCT DATUM .....  
 INDICATES CABINETRY CLEARANCES .....

DATE: 12.12.2015

IMPORTANT NOTE: Throughout this guide, dimensions may vary by ±2mm (3/32"). Please read the installation manual for detailed information on installing the product. [www.fisherpaykel.com](http://www.fisherpaykel.com)



FRONT VIEW

PROFILE VIEW