



21 cu. ft. Side-by-Side Refrigerator

WRS311SDH



Monochromatic Stainless Steel
WRS311SDHM

Also available in:

- White **WRS311SDHW**
- Black **WRS311SDHB**
- Biscuit **WRS311SDHT**

Capacity

Total Capacity	21 cu. ft.
Refrigerator Capacity	14 cu. ft.
Freezer Capacity	7 cu. ft.

General Features & Properties

- Hidden Hinges
- Electronic Temperature Controls
- Frameless Glass Shelves
- Factory-Installed Icemaker
- Adaptive Defrost
- LED Dispenser Night-Light
- Humidity-Controlled Crispers

#1 Selling Appliance Brand in the U.S.A.*

Electrical Details

Amps	15 or 20
Volts	115

Technical Details

Refrigerator Type	Side-by-Side
Number of Doors	2
Number of Interior Refrigerator Shelves	4
Number of Refrigerator Door Bins	2 Fixed, 3 Adjustable
Number of Interior Freezer Shelves	3
Number of Freezer Door Bins	3 Fixed
Lighting Type	LED
Ice Maker	Factory Installed
Ice Maker Location	Freezer
Dispenser Type	Exterior Ice and Water

Dimensions

Product Dimensions (H x W x D)	66-5/8" x 32-3/4" x 33-5/8"
Depth with Door Open 90°	49-5/16"
Cutout Dimensions	Allow extra 1/2" on sides and top Allow extra 1" on rear

Reference Material

- [Dimension Guide](#)
- [Install Guide](#)
- [Energy Guide](#)
- [Warranty](#)

Key Features & Benefits

Adjustable Gallon Door Bins

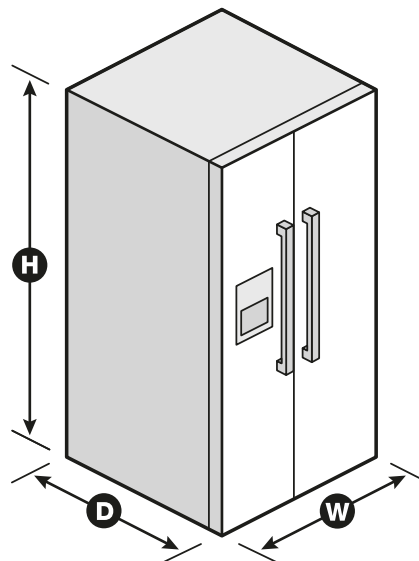
Move these adjustable bins anywhere in the door for increased loading flexibility when and where you need it.

LED Interior Lighting

Keep food looking as good as it tastes. Light is cast inside the refrigerator so food looks like it's supposed to.

Exterior Ice and Water Dispenser with EveryDrop® Water Filtration

Access fresh filtered water and ice without ever opening the refrigerator door.



*Based on 12-month average of unit sales. Refrigeration, Cooking, Dishwashers and Laundry appliances. TraQline 2018. NOTE: Dimensions are for planning purposes only. For complete details, see Installation Instructions packed with product. Specifications subject to change without notice. ®/™ © 2020. All rights reserved. Printed in the U.S.A. D200052XXC. WRS311SDHSPECSHEETV01.