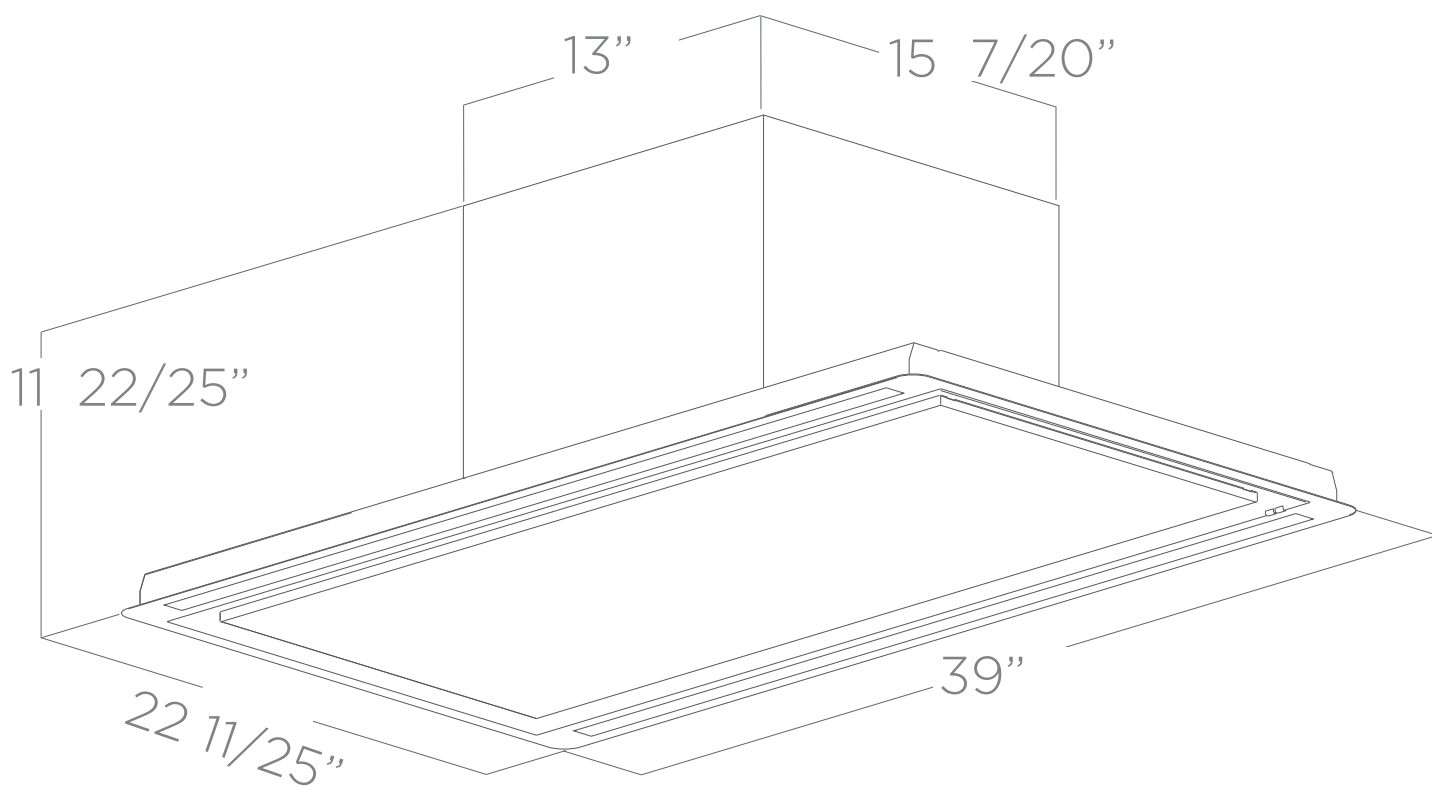


HIGHLIGHT

EHL640WH | EHL640SS



FALSE CEILING CUT: 21 $\frac{13}{20}$ " X 38 $\frac{1}{2}$ "