

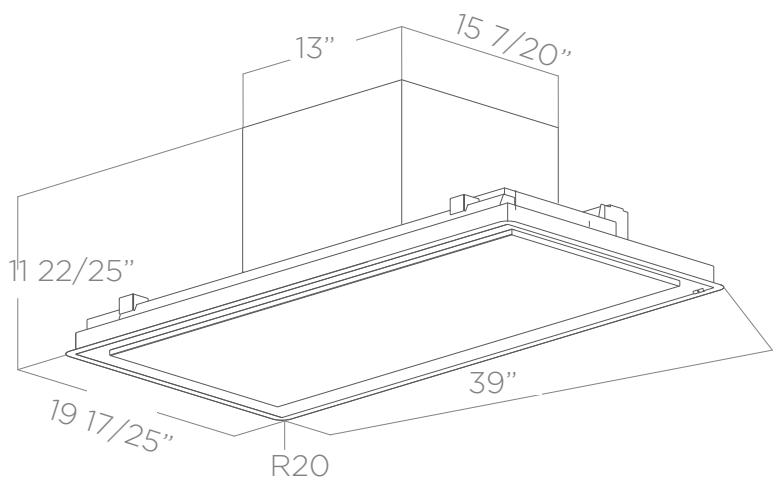


- 
TOP PERFORMANCE
- 
REMOTE CONTROL
- 
TUNE WHITE
- 
EASY INSTALLATION
- 
SPECIAL MATERIAL
- 
DIM LIGHT
- 
TOTAL INTEGRATION
- 
SUPER EASY INSTALLATION

ELICA'S EXCLUSIVE PLUS FEATURES

FIRST PANEL-READY CEILING HOOD IN THE MARKET, perfectly fitting the ceiling texture of the living space, disappearing like a true Illusion. Also naturally saves valuable kitchen space and frees the area of inconvenient obstructions cleverly hiding a powerful extraction system that guarantees always clean air in the living space. Combining discreet shapes and high performance, Illusion has been created for consumers who ask for an essential and bespoke style without compromises on functionality.

EIL640WH | EIL640DW



FALSE CEILING CUT: 18 57/64 X 38 37/64



***FLEXIBLE INSTALL**
Blower offers 5 possible exit directions, allowing you to decide on which side to attach the air outlet duct.

SPECIFICATIONS



	40" UNIT	40" UNIT
Model:	EIL640WH	EIL640DW
Dimensions:	40" x 20"	
Blower type (internal):	600 CFM	
Blower performance:		
Speed 1	215 CFM	
Speed 2	345 CFM	
Speed 3	485 CFM	
Boost	540 CFM	
Noise (sones): At working speed	2.1	
Finish:	Metal White with white frame	Naked panel (stainless steel) + stainless steel frame
Controls:	3S + 1B Remote Control	
Illumination:	Strip LED 2 x 14 W	
Filter type:	Grease aluminum filter	
Duct transition:	Duct out	
Installation type:	Ceiling	
Electrical:	120v 60 Hz	
KITS:		
Recirculating Kit:	KIT0167875	

PLUS FEATURES



TOP PERFORMANCE - Excellent performance for models equipped with this plus. High fume capturing capacity with an average aspiration range of 600 CFM's. with low noise levels, 1.2 - 1.7 sones at working speed.



REMOTE CONTROL - Elica's ADA compliant Remote Control, provides added convenience to the typical user, as well as, full function access for those with limited mobility.



TUNE WHITE - The ability to choose the preferred shade of white always creates the right atmosphere. The Kelvin degrees regulation starts from a very warm tone, 2400°K, to experience intimate and convivial moments, up to a cold colour, 5000°K.



EASY INSTALLATION - Installation of the hood is easier, through an adjustment of the appliance alignment between cabinets.



SPECIAL MATERIALS - Products designed in special materials and finishes with great aesthetic impact but also with practical and durable characteristics, perfect for cooking use.



DIM-LIGHT- The Dimmer allows you to adjust the brightness of the light as you wish. With Elica, lighting is customized in a discreet, personal and practical way, in order to contribute in creating the perfect kitchen atmosphere.



SUPER EASY
INSTALLATION

SUPER EASY INSTALLATION -With the exclusive Elica system, installation can be done in total safety in just a few steps, safeguarding the look of the product and the space in which it is positioned.



TOTAL INTEGRATION - The Total Integration products have been designed to be seamlessly integrated into the kitchen whilst maintaining harmony with the surroundings.