



5.1 cu. ft. Gas Range

WFG320M0B



Stainless Steel
WFG320M0BS

Also available in:

White Ice **WFG320M0BW**

Black Ice **WFG320M0BB**

Capacity

Oven 5.1 cu. ft.

General Features & Properties

Under-Oven Broiler

AccuSimmer® Burner

Griddle (Optional)

Adjustable Oven Racks

Control Lock

Clock & Timer

Oven Light

Electrical Details

Amps 15

Volts 120

Technical Details

Fuel Type Gas

Range Type Freestanding Single Oven

Oven Cooking System Thermal

Number of Oven Racks 2

Cleaning Type Manual Clean

Number of Burners 4

Burner Type Sealed Burners

Burner Power (1) 5000 BTU
(1) 9500 BTU
(2) 15,000 BTU

Dimensions

Product Dimensions (H x W x D) 46-1/4" x 29-7/8" x 27-1/4"

Depth with Door Open 90° 45-1/4"

Reference Material

[Dimension Guide](#)

[Install Guide](#)

[Use & Care Guide](#)

[Warranty](#)

Key Features & Benefits

SpeedHeat™ Burners

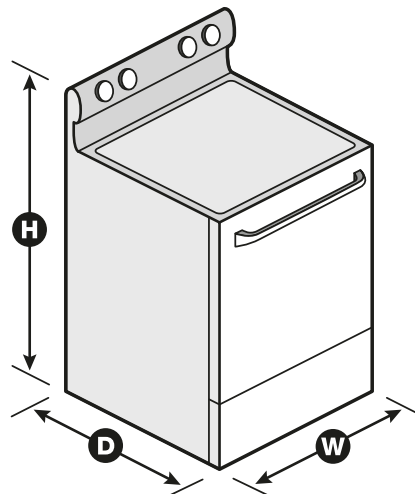
Sear and boil quickly with high-heat burners that offer up to 15,000 BTUs.

Full-Width Cast-Iron Grates

Cast-iron grates cover nearly the whole cooktop surface, providing flexibility to easily slide heavy pots and pans to optimal cooking locations.

Large Oven Window

Monitor cooking progress without opening the door, keeping oven temperatures steady and undisturbed.



NOTE: Dimensions are for planning purposes only. For complete details, see Installation Instructions packed with product. Specifications subject to change without notice.

®/™ © 2020. All rights reserved. Printed in the U.S.A. D200052XXB. WFG320M0BSPECSHEETV01.