



7.0 cu. ft. Gas Dryer

WGD5000D



White
WGD5000DW

Capacity

| | |
|-------|-------------|
| Total | 7.0 cu. ft. |
|-------|-------------|

General Features & Properties

7.0 Cu. Ft. Capacity

Adjustable End-of-Cycle Signal

Interior Drum Light

Designed, Engineered and Assembled in the U.S.A.

Electrical Details

| | |
|----|----|
| Hz | 60 |
|----|----|

| | |
|------|----------|
| Amps | 15 or 20 |
|------|----------|

| | |
|-------|-----|
| Volts | 120 |
|-------|-----|

Technical Details

| | |
|---------------|-------------|
| Drum Material | Powder Coat |
|---------------|-------------|

| | |
|-----------|-----|
| Fuel Type | Gas |
|-----------|-----|

| | |
|------------|--------|
| Door Style | Hamper |
|------------|--------|

| | |
|-----------------|----|
| Reversible Door | No |
|-----------------|----|

| | |
|------------------------|----|
| Number of Dryer Cycles | 11 |
|------------------------|----|

| | |
|----------------------------|------------------|
| Selection of Drying Cycles | Delicates |
| | Energy Preferred |
| | Jeans |
| | Less Dry |
| | Timed Dry 20 |
| | Timed Dry 30 |
| | Timed Dry 40 |
| Timed Dry 50 | |
| Timed Dry 60 | |
| Timed Dry 70 | |
| Very Dry | |

| | |
|-------------------------|---------------------|
| Dryer Option Selections | Dry Temp |
| | End of Cycle Signal |
| | Wrinkle Shield™ |
| | |

Dimensions

| | |
|--------------------------------|---------------------------|
| Product Dimensions (H x W x D) | 41-13/16" x 29" x 28-3/8" |
|--------------------------------|---------------------------|

| | |
|--------------------------|-----------|
| Depth with Door Open 90° | 41-11/16" |
|--------------------------|-----------|

| | |
|---------------------|-----|
| Maximum Vent Length | 64' |
|---------------------|-----|

| | |
|-------------------|-----------|
| Venting Direction | Rear Only |
|-------------------|-----------|

| | |
|----------|----|
| Ventless | No |
|----------|----|

Reference Material

[Dimension Guide](#)

[Install Guide](#)

[Use & Care Guide](#)

[Warranty](#)

Key Features & Benefits

AccuDry™ Sensor Drying System

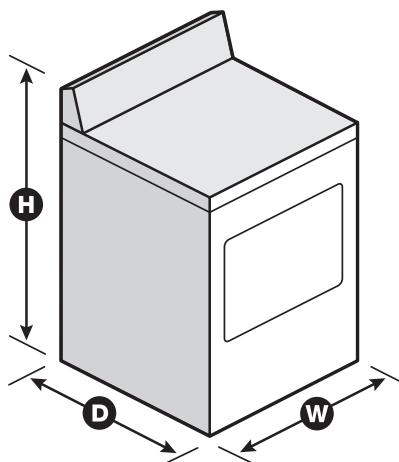
Evenly dry loads the first time with the AccuDry™ sensor drying system. It measures moisture and temperature levels with two built-in sensors to help prevent overdrying and automatically stop the cycle when the load is dry.

Wrinkle Shield™ Option

Helps prevent wrinkles from setting in by continuing to tumble the load every 5 minutes after the cycle is complete. Either designate how long the feature tumbles the load, or easily open the door to end it.

Hamper Door

Easily move clothes from the washer to the dryer with the help of our hamper door. This feature also is great for when it's time to sort and fold your laundry.



NOTE: Dimensions are for planning purposes only. For complete details, see Installation Instructions packed with product. Specifications subject to change without notice.

®/™ © 2020. All rights reserved. Printed in the U.S.A. D200104XXD. WGD5000DSpecSheetV01.