



6.7 cu. ft. Double Oven Electric Range

WGE745C0F



Stainless Steel
WGE745C0FS

Also available in:

White Ice **WGE745C0FH**

Black Ice **WGE745C0FE**

Capacity

Upper Oven 2.5 cu. ft.

Lower Oven 4.2 cu. ft.

General Features & Properties

Convection Conversion

Temperature Sensor

Rapid Preheat (Lower Oven Only)

Steam Clean Option

6.7 cu. ft. Capacity

Easy-Wipe Ceramic Glass Cooktop

Hidden Bake Element

Dishwasher-Safe Knobs

#1 Selling Appliance Brand in the U.S.A.*

Electrical Details

Amps 40

Volts 120/240

Certifications

ADA Compliant Yes

Star-K Certified/Kosher Yes

Technical Details

Fuel Type	Electric
Range Type	Freestanding Double Oven
Oven Cooking System	Upper—Thermal Lower—True Convection
Number of Oven Racks	Upper—1 Lower—2
Cleaning Type	AquaLift® Self-Cleaning
Number of Elements	5
Element Type	Radiant
Element Size/Power	(1) 6" 100W (1) 6" 300W/1300W (1) 6" 1200W (1) 9"/6" 3000W (1) 12"/9"/6" 3000W

Dimensions

Product Dimensions (H x W x D)	47-1/8" x 29-15/16" x 28-1/2"
Depth with Door Open 90°	46"

Reference Material

[Dimension Guide](#)

[Install Guide](#)

[Use & Care Guide](#)

[Warranty](#)

Key Features & Benefits

Frozen Bake™ Technology

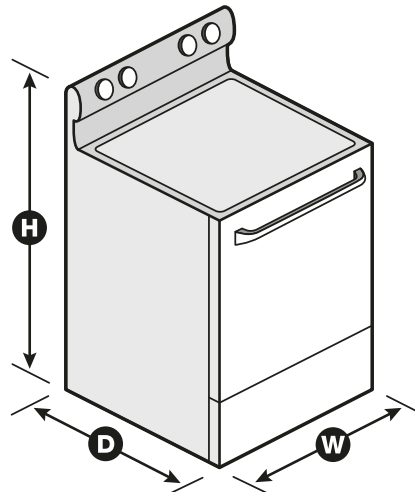
Cook frozen favorites faster with preprogrammed settings that automatically adjust cooking times.

True Convection Cooking

Cooks foods fast by using a third element plus a fan to distribute hot air evenly over, under and around food.

FlexHeat™ Triple Radiant Element

The 6" inner ring is great for smaller pots and pans, while 9" and 12" outer rings make room to heat larger cookware.



*Based on 12-month average of unit sales. Refrigeration, Cooking, Dishwashers and Laundry appliances. TraQline 2018. NOTE: Dimensions are for planning purposes only. For complete details, see Installation Instructions packed with product. Specifications subject to change without notice. ©/™ © 2020. All rights reserved. Printed in the U.S.A. D200052XXB. WGE745C0FSPECSHEETV01.