



2.2 cu. ft. Countertop Microwave

WMC50522H



Fingerprint Resistant Stainless Steel
WMC50522HZ

Capacity

Total 2.2 cu. ft.

General Features & Properties

Recessed Glass Turntable

Microwave Built-In Trim Kit (Optional)

Microwave Presets

Electronic Touch Controls

Add 30 Seconds Option

Control Lock

Dishwasher-Safe Turntable Plate

Fingerprint-Resistant

Electrical Details

Amps 15

Volts 120

Technical Details

Microwave Type Countertop

Lighting Type Incandescent

Dimensions

Product Dimensions (H x W x D) 12-9/16" x 24" x 19-5/8"

Reference Material

[Install Guide](#)

[Use & Care Guide](#)

[Warranty](#)

Also available in:

- White **WMC50522HW**
- Black **WMC50522HB**
- Stainless Steel **WMC50522HS**
- Black Stainless Steel **WMC50522HV**

Key Features & Benefits

2.2 cu. ft. Capacity

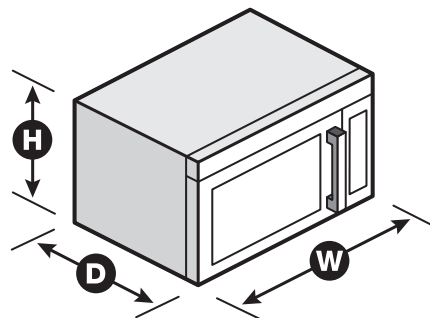
Microwave food in containers of almost any size with the most capacity available among Whirlpool® countertop microwaves.

Sensor Cooking

Automatically tracks the cooking progress of your food and adjusts the cook time as needed.

1,200-Watt Cooking Power

Get quick and even cooking with 1,200 watts of cooking power.



NOTE: Dimensions are for planning purposes only. For complete details, see Installation Instructions packed with product. Specifications subject to change without notice.

®/™ © 2020. All rights reserved. Printed in the U.S.A. D200104XXE. WMC50522HSpecSheetV01.