



# 1.7 cu. ft. Over-the-Range Microwave Hood Combination

WMH31017H



Fingerprint Resistant Stainless Steel  
WMH31017HZ

## Capacity

Total 1.7 cu. ft.

## General Features & Properties

2-Speed, 300 CFM Motor Class

Add 30 Seconds Option

Adjustable Cooktop Lighting

## Electrical Details

Amps 16

Volts 120

## Technical Details

Microwave Type Over-the-Range

CFMs 300

Lighting Type Incandescent

Number of Speeds 2

Venting Type Updraft

## Dimensions

Product Dimensions (H x W x D) 17-1/8" x 29-15/16" x 15-9/16"

Depth with Door Open 90° 39-3/8"

Cutout Dimensions (W x D) 30" x 12" minimum

## Reference Material

[Dimension Guide](#)

[Install Guide](#)

[Use & Care Guide](#)

[Warranty](#)

### Also available in:

White **WMH31017HW**

Black **WMH31017HB**

Stainless Steel **WMH31017HS**

## Key Features & Benefits

### Microwave Presets

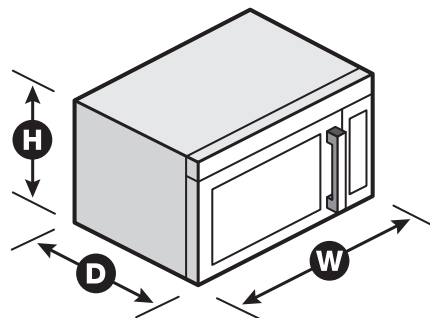
Get just the right amount of heat and time, whether you're cooking or defrosting, with specific preset options.

### Electronic Touch Controls

Navigate through cooking modes and options with controls that are as easy to use as they are to clean.

### Dishwasher-Safe Turntable Plate

Clean up spills on the turntable by simply putting it in the dishwasher.



NOTE: Dimensions are for planning purposes only. For complete details, see Installation Instructions packed with product. Specifications subject to change without notice.

®/™ © 2020. All rights reserved. Printed in the U.S.A. D200104XXE. WMH31017HSpecSheetV01.