



2.1 cu. ft. Over-the-Range Microwave

WMH53521H



Fingerprint Resistant Stainless Steel
WMH53521HZ

Capacity

Total	2.1 cu. ft.
-------	-------------

General Features & Properties

90° Hinge Door

Sensor Cooking

Steam Cooking

Turntable On/Off Option

Dishwasher-safe Turntable Plate

Microwave Presets

2.1 cu. ft. Capacity

Add 30 Seconds Option

Electronic Touch Controls

Electrical Details

Amps	16
------	----

Volts	120
-------	-----

Certifications

Star-K Certified/Kosher	Yes
-------------------------	-----

Technical Details

Microwave Type	Over-the-Range
----------------	----------------

CFMs	400
------	-----

Lighting Type	Incandescent
---------------	--------------

Number of Speeds	4
------------------	---

Venting Type	Updraft
--------------	---------

Dimensions

Product Dimensions (H x W x D)	17-1/8" x 29-15/16" x 16"
--------------------------------	---------------------------

Depth with Door Open 90°	39-3/8"
--------------------------	---------

Cutout Dimensions (W x D)	30" x 12" minimum
---------------------------	-------------------

Reference Material

[Dimension Guide](#)

[Install Guide](#)

[Use & Care Guide](#)

[Warranty](#)

Also available in:

- White **WMH53521HW**
- Black **WMH53521HB**
- Stainless Steel **WMH53521HS**
- Black Stainless Steel **WMH53521HV**

Key Features & Benefits

4-speed, 400 CFM motor class

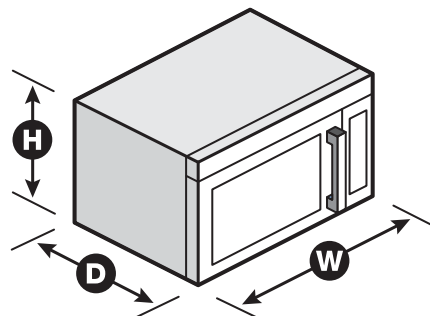
Match the right amount of ventilation to the dish being prepared and quickly get rid of cooking odors with four different fan speed settings.

Fingerprint Resistant

Available in black stainless steel and stainless steel finishes, easy-to-clean steel resists fingerprints and smudges.

CleanRelease® non-stick interior

Help prevent spills from sticking with the CleanRelease® non-stick interior, which lets you clean up with the simple wipe of a damp paper towel.



NOTE: Dimensions are for planning purposes only. For complete details, see Installation Instructions packed with product. Specifications subject to change without notice.

®/™ © 2020. All rights reserved. Printed in the U.S.A. D200104XXE. WMH53521HSpecSheetV01.