



6.4 cu. ft. Smart Combination Wall Oven

WOC54EC0H



Stainless Steel
WOC54EC0HS

Also available in:



White

WOC54EC0HW



Black

WOC54EC0HB

Capacity

Oven 6.4 cu. ft.

General Features & Properties

Frozen Bake™ technology

Multi-Step Cooking

Steam Clean option

Scan-to-Connect Technology

Remote Start

Keep Warm Setting

Party Mode

Enhanced Troubleshooting

Guided Service

Electrical Details

Amps 40

Volts 240

Certifications

Connected/Smart Appliance Yes

Star-K Certified/Kosher Yes

Technical Details

Fuel Type Electric

Oven Type Combination

Oven Cooking System Thermal

Number of Oven Racks 2

Cleaning Type Self-Cleaning w/Steam

Dimensions

Product Dimensions (H x W x D) 42-9/16" x 30" x 26-1/2"

Depth with Door Open 90° 46-3/4"

Cutout Dimensions (H x W x D) 41-5/16" x 28-1/2" x 24"

Reference Material

[Install Guide](#)

[Use & Care Guide](#)

[Warranty](#)

Key Features & Benefits

Smart Appliance

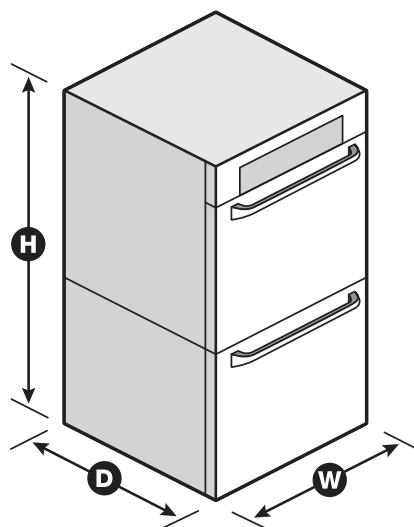
Care smarter with connected features that let you send cooking instructions to the oven from your smartphone, control your kitchen with voice commands using a compatible voice-enabled device* or skip preheating.

Touchscreen

Get instant access to the settings you use most with a touchscreen that learns, adapts and suggests customized presets based on your family's routines.

Voice Control with a Compatible Voice-Enabled Device**

Control your kitchen no matter what you've got on your hands with simple voice commands using the Google Assistant or an Alexa-enabled device.



*Appliance must be set to remote enable. WiFi & App Required. Features subject to change. Details and privacy info at whirlpool.com/connect. **U.S. Only. NOTE: Dimensions are for planning purposes only. For complete details, see Installation Instructions packed with product. Specifications subject to change without notice.