

# I3236 36" INSERT SERIES

*Enhance ventilation and capture the ultimate chef's experience with our latest design, the I3236 36" series range hood.*

## I3236 36" SERIES

*Experience...*



### REMOTE CONTROL

- Easy to operate
- Optional automatic 5 minute shut off timer

### EASY CLEANING

- Dishwasher safe commercial baffle filters
- Functional design is easy to clean. Eliminates grease traps
- No unsightly screws to clean around

### QUIET OPERATION

- Rubber-mounted motor & large, squirrel-cage blowers reduce sound and vibration
- 3-speed motor control reduces blower and air movement sound
- Large, filters reduce air movement sound

### ENDURING QUALITY

- Internal motor models deliver 290 CFM (code compliant), 390 CFM (code compliant) or 600 CFM
- Commercial grade stainless steel (#304 grade with #4 brush finish)
- Two stainless steel baffle filters improve performance
- One LED light brightens cooking area, equivalent to 50W Halogen
- Performance tested for CFM

### DISTINCTIVE DESIGN

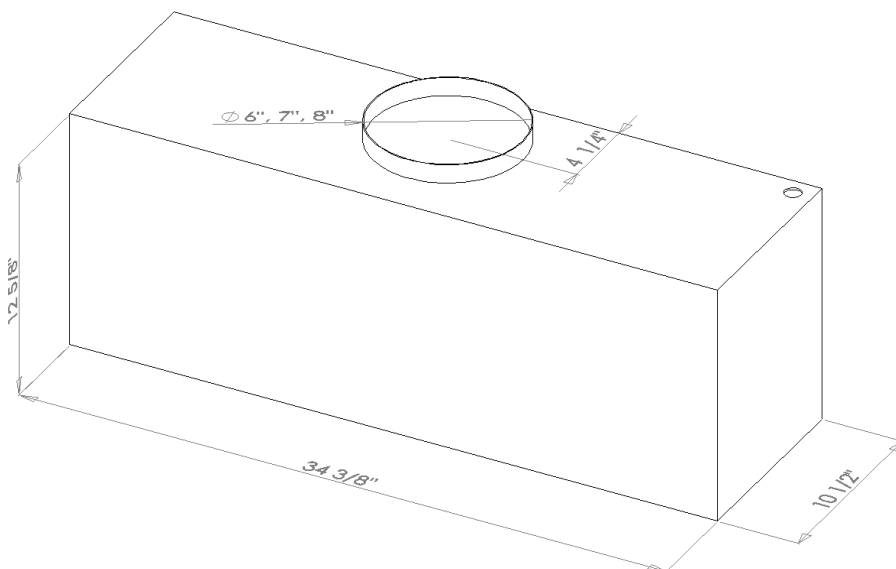
- Style complements ALL kitchen designs
- Simplicity of design preferred by home owners and builders
- Recessed controls and LED lights. Buttons and light glare hidden from the front
- Electronic touch controls with blue LED back lighting, with NEW REMOTE CONTROL
- Trade-Wind® logo is discretely located on bottom of hood. Can be paired with ALL range models

### EASY INSTALLATION

- Installs easily in standard size cabinet openings
- Exhausts out the top with a 6", 7", or 8" round discharge opening (size of ducting is dependent on blower CFM specification selected)
- For Installation Instructions, visit us on the web at [www.t-wusa.com](http://www.t-wusa.com)

# I3236 36" INSERT SERIES

Dimensions			
Models	Width	CFM	Duct Opening
I32362RC	34 <sup>3</sup> / <sub>8</sub> "	290	6"
I32363RC	34 <sup>3</sup> / <sub>8</sub> "	390	7"
I32366RC	34 <sup>3</sup> / <sub>8</sub> "	600	8"



Note: Electrical access located on the top, right side as shown in the above dimensioned diagrams.

- All dimensions are nominal +/- 1/8"
- All models exhaust vertically through a 6", 7", or 8" round duct  
(For rear discharge use a 90° elbow, not provided)

Trade-Wind Manufacturing, LLC® has a policy of continuous improvements and reserves the right to modify (at any time without notice) any or all of its products, features, designs, components and specifications. For further information on installation and wiring, see the installation instructions included with the product or visit us on the web.

For more information please contact your dealer or your Trade-Wind® representative.



## TRADE-WIND

800 West Grant Street Phoenix, AZ 85007  
1-800-955-5737  
602-900-8500  
t-wusa.com



## TRADE-WIND