



Stainless Solid



Integrated Solid

Key Features

- Convection cooling system provides a quick cool down and consistent temperature
- The lower drawer is large enough to fit 2 one-gallon containers with additional space for more storage
- Equipped with 2 full-extension stainless drawers
- Stainless steel full-wrap drawers and handles (7/8" diameter)
- Stainless steel grille (stainless model), black metal grille (integrated model)
- Digital touch pad control
- Temperature range: 34°F to 60°F
- Bright white LED lighting
- Volume of 5.2 cu ft holds up to 98 bottles (12 oz) or 150 cans (12 oz)
- Built-in or freestanding
- Four adjustable leveling legs

Model Details

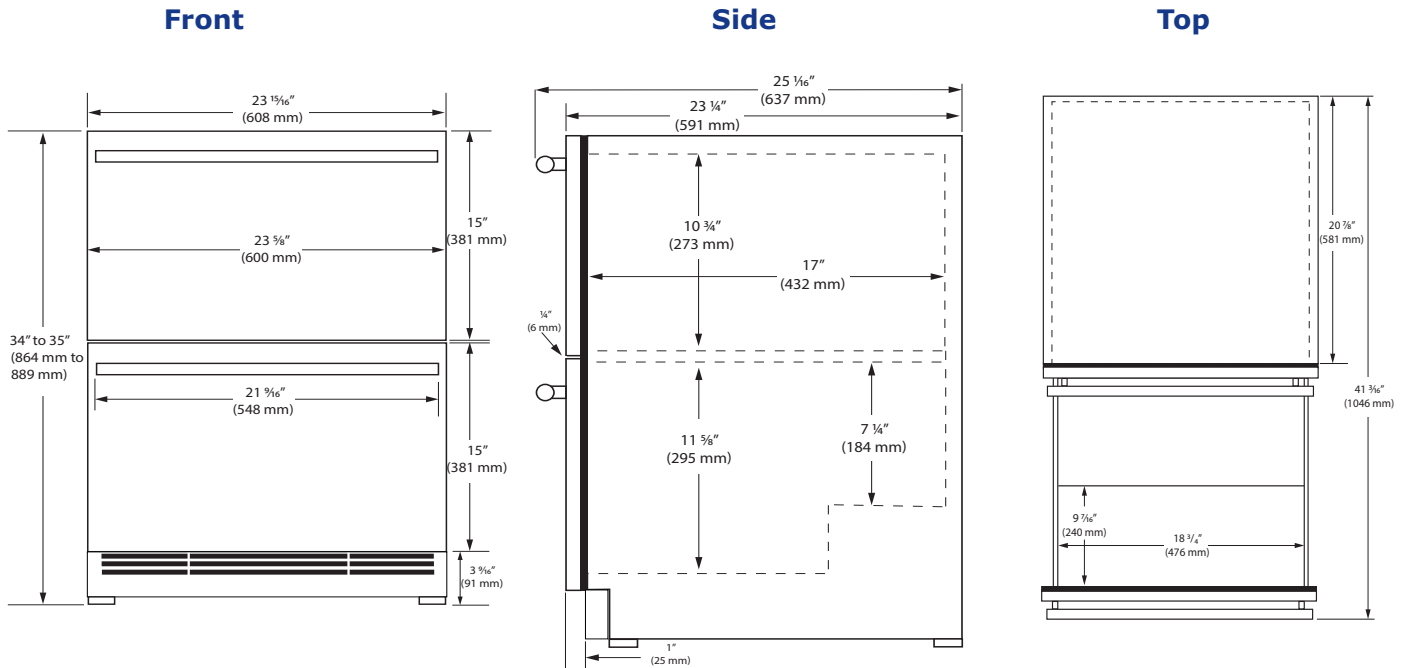
Model	Voltage/Hz	Door Swing	Finish	Shipping Weight
UHDR124-SS61A	115 / 60	Field Reversible	Stainless Solid	142 lb
UHDR124-IS61A	115 / 60	Field Reversible	Integrated Solid	134 lb

Accessories

Model	Description	Finish	Shipping Weight
ULAFREESTANDB	Freestanding Kit	Black	3 lb



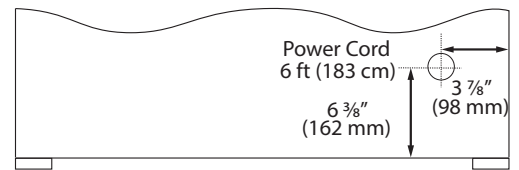
Proudly made in Milwaukee, Wisconsin. Since 1962.



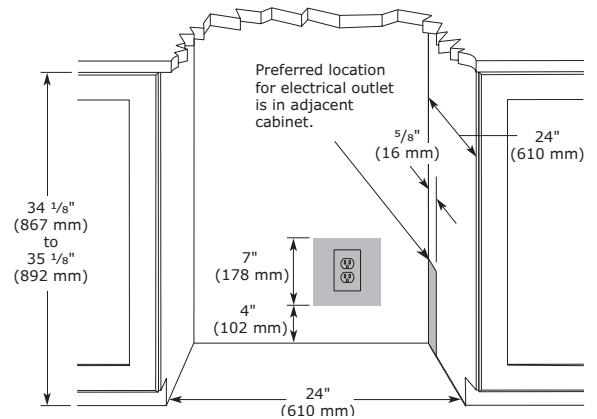
Specifications

Model	HDR124
Amps: Running (115 v)	1.2 A
Capacity Bottle	98
Capacity Can	150
Capacity: Total Volume (cu ft)	5.2 cu ft
Dimensions: Product Depth	23 1/4" / 591 mm
Dimensions: Product Height	34" / 864 mm
Dimensions: Product Width	23 15/16" / 608 mm
ENERGY STAR	Tier 1
Energy Consumption: Avg. Per Year	275 kWh
Panel Height	15" / 381 mm
Panel Thickness	3/4" / 20 mm
Panel Type	Solid Panel
Panel Width	23 3/4" / 603 mm
Refrigerant Type	R600a
Sabbath (Star K Certified)	Yes
Temperature Range	34°F to 60°F

Back



Cabinet Cut-Out



Warranty

- 1 Year (parts & labor) / 5 year sealed system (parts)
- + **Additional 1 Year (parts & labor) warranty at no cost with product registration**

See complete warranty for details



Installation Notes

- No additional clearance is needed for ventilation
- Do not obstruct front grille air flow



Please visit u-line.com to view this model's User Guide & Service Manual. All Specifications are subject to change without notice.

8900 North 55th Street • Milwaukee, Wisconsin 53223 USA • +1.414.354.0300 • sales@u-line.com • u-line.com