



**CJ292600**  
**Flex induction cooktop**  
**Frameless**  
**Width 30" (90 cm)**

Frameless for flush mounting  
Flex function for combining the rectangular cooking areas  
Free positioning of cookware inside combined cooking areas  
Cooking sensor function for temperature control in pots  
Frying sensor function for temperature control in pans  
Large cooking zone for pots up to ø 13"  
Twist-Pad control with removable magnetic knob  
Easy control of all functions with bi-coloured display

#### Cooking zones

1 induction cooking zone ø 9" (21cm) (2200 W, with booster 3700 W), automatically switches to ø 10" (26cm) (2600 W, with booster 3700 W) and to ø 13" (3300 W, with booster 3700 W).

#### Operation

Twist-Pad control with removable magnetic knob.  
User friendly control with bi-coloured display (white / orange).  
Cooking zone and cooking area marking.  
Electronic power control in 17 output levels.

#### Features

Flex function for rectangular cooking areas.  
Cooking sensor function (in use with cooking sensor CA 060 600).  
Frying sensor function.  
Booster function for pots.  
Booster function for pans.  
Keep warm function.  
Stopwatch.  
Cooking timer for up to 99 minutes.  
Short-term timer.  
Options menu.  
Power management.

#### Safety

Main switch.  
Operation indicator.  
Pot detection.  
Child lock.  
Safety shut-off.

#### Planning notes

Operates with magnetic (induction) iron pots and pans only. For an optimal heat distribution, the use of flat bottom cookware is recommended.  
The wok pan WP 400 001 cannot be used with this appliance.  
Immersion depth 107 mm.  
Intermediate shelf is recommended, but should be removable for customer service needs.  
Appliance must be fixed from underneath. Hardwire required.  
Cooktop clamping range: 1 3/16" - 1 9/16".

#### Rating

Total rating: 208/220 - 240 V : 10.8 kW.  
60 Hz  
Total Amps: 15A.  
208 - 240 V / 60 Hz.  
Plan for a 37" connecting cable without plug (hardwire required).

#### Product Features

**Knob Material**  
Full metal

**Sealed Burners**  
No

**Burners with booster**  
All

**Type of grate**

**Total BTU load**

**LP Gas Connection Rating (BTU)**

**Power of heating element (kW in boost)**  
[3.6]

**Dimension of 1st heating element (in)**

**Power of 2nd heating element (kW in boost)**  
3.6

**Dimension of 2nd heating element (in)**

**Power of 3rd heating element (kW in boost)**

**Dimension of 3rd heating element (in)**

**Power of 4th heating element (kW in boost)**

**Dimension of 4th heating element (in)**

**Power of 5th heating element (kW in boost)**

**Dimension of 5th heating element (in)**

**Power of 6th heating element (kW in boost)**  
3.6

**Dimension of 6th heating element (in)**

#### Consumption and connection features

**UPC code**  
825225919858

**Variant color**  
Black

**Energy source**  
Electric

**Gas type**

**Alternative gas type**

**Watts (W)**  
9360

**Current (A)**  
50

**Volts (V)**  
208-240

**Frequency (Hz)**  
60

**Approval certificates**  
CSA, FCC

**Power Cord Length**  
37"

**Plug type**  
no plug

**Required cutout size (HxWxD) (in)**  
4 1/4" x 34 7/8" x 19 5/8"

**Minimum distance from counter front (in)**  
2 1/2"

**Minimum distance from rear wall (in)**  
2 3/8"

**Overall appliance dimensions (HxWxD) (in)**  
1/8"+4 1/4" x 35 3/4" x 20 1/2"

**Product packaging dimensions (HxWxD) (in)**  
4.96 x 23.74 x 42.26

**Net weight (lbs)**  
59

**Gross weight (lbs)**  
68

**Total number of cooktop burners**  
5

**2020-03-29**  
Page 1

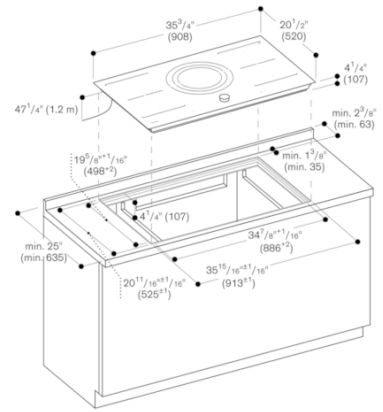
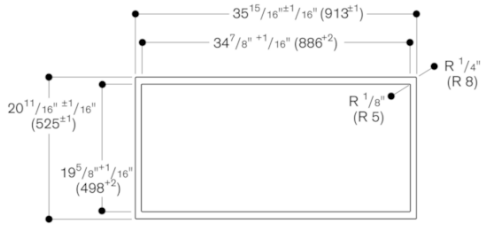
#### Color Variants

CJ292600  
Frameless  
Width 30" (90 cm)

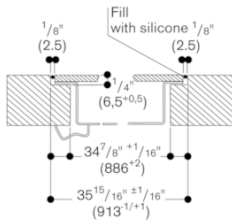
#### Optional accessories

CA051300  
Teppan Yaki made of multi ply material  
CA060600  
Cooking sensor for temperature regulation within pots  
GP900001  
Stainless steel frying sensor pan.  
GP900002  
Stainless steel frying sensor pan.  
GP900003  
Stainless steel frying sensor pan.  
GP900004  
Stainless steel frying sensor pan.

View from above



Longitudinal section



Cross-section

