



Waste Disposer

SC75DISPC1

3/4 Horsepower
Corded



Features

Horsepower	3/4
Motor RPM	2700
Capacity	36.2 oz (1070ml)
Impellers	Stainless Steel Jam-Resistant Dual Impellers
Mounting Type	3-Bolt
Turntable Material	Stainless Steel
Grind Ring Material	Stainless Steel
Feed Type	Continuous
Controls	Wall Switch
Sound Shell	Full
Splash Guard	Removable
Motor Type	High-Torque Permanent Magnet
Sink Stopper	Yes
Manual Overload Protect	Yes
Drain Outlet Diameter	1-1/2"
Drain Connector	Yes
Drain Elbow	Yes
Warranty	10 Years ¹

Specifications

Amps @ 120 Volts	6
Wiring Requirements	Corded
Voltage Rating	115V, 60Hz
Exterior Styling	Shell

Accessories

Sink Flange Kit	Stainless Steel
Silver Guard®	Magnetic Protection

¹See warranty for complete details.

Signature Features

TORQUE MASTER®

Balanced Grinding System:



A combination of computer designed and balanced components working in unison to provide superior torque grind speed and long system life.

3-Bolt Mounting System

Compact, lightweight design fits 90% of existing sink mounts for quick installation.

Removable Splashguard

Removable splash guard, ideal for easy cleaning and replacement.

Attached Power Cord

Ready to plug in.

Permanent Magnet Motor

Maximum torque instantly with the power to cut through potential jams..

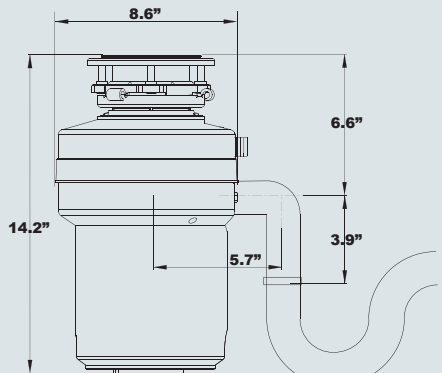
10-Year Limited Warranty

See warranty for complete details. LIFETIME warranty against failure due to corrosion.

Silver Guard®

Powerful magnetic ring that captures most metal objects before they enter into the disposer chamber. It helps prevent damage to valuable cutlery, and to the disposer which protects against expensive repairs caused by metal objects falling into the disposer.

Product Dimensions



Specifications subject to change.