

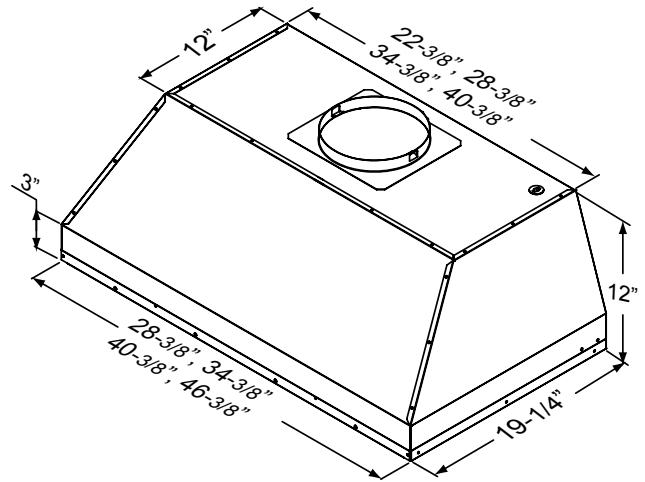
Monsoon I has taken the one-piece liner to the next level. Including dual-level LumiLight LED's and an ADA-compliant wireless remote you can easily control Monsoon I without ever reaching over a dangerous cook-

ing surface. Equipped with 6-speed electronic controls, pro baffle filters, our exclusive ACT™ technology and either a powerful 600-CFM blower (30" and 36" models) or 1,200-CFM blower (42" and 48" models).

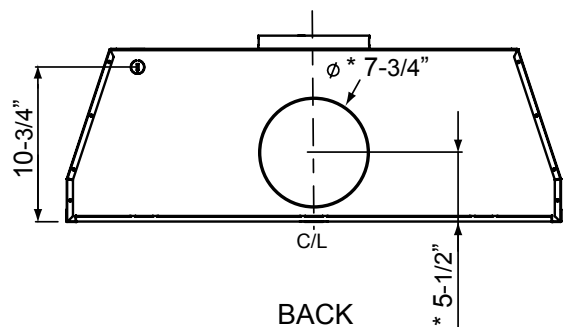
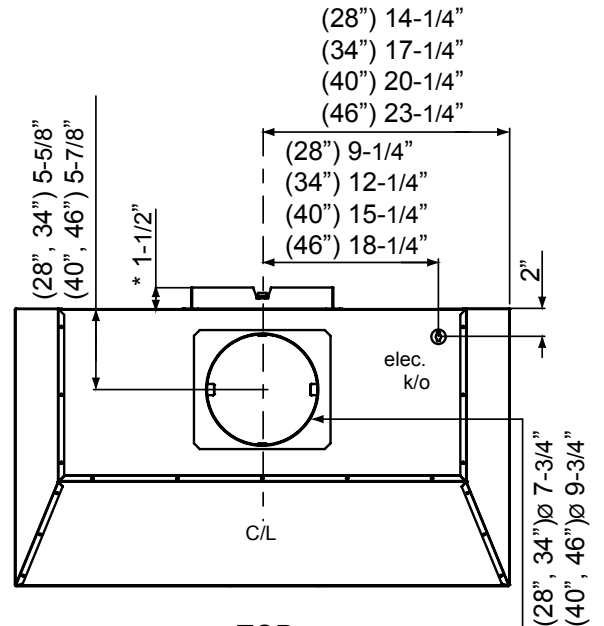
ACT™

	INTERNAL BLOWER STANDARD	INTERNAL BLOWER with ACT™ AIRFLOW CONTROL TECHNOLOGY™*		
		NA	200 - 390	200 - 290
30"/36" Min. - Max. CFM	200 - 600	NA	200 - 390	200 - 290
30"/36" Min. - Max. Sones	1 - 6	NA	1 - 4	1 - 3
42"/48" Min. - Max. CFM	450 - 1,200	350 - 590	350 - 390	NA
42"/48" Min. - Max. Sones	3.5 - 9	3.3 - 6	3.3 - 4	NA

*AIRFLOW CONTROL TECHNOLOGY™ (ACT™) is an exclusive feature built into specific Zephyr hoods which can limit the maximum blower CFM to meet local code requirements.



Includes Wireless Remote Control



* Dimensions for 28" and 34" model sizes only

MODEL	AK9228BS	AK9234BS	AK9240BS	AK9246BS
Stainless Steel				
Size	30" (28-3/8" x 19-1/4")	36" (34-3/8" x 19-1/4")	42" (40-3/8" x 19-1/4")	48" (46-3/8" x 19-1/4")
BLOWER PERFORMANCE				
Blower CFM (Min. - Max.)	200 - 600	200 - 600	450 - 1,200	450 - 1,200
Sones (Min. - Max.)	1 - 6	1 - 6	3.5 - 9	3.5 - 9
ACT 590 CFM (Min. - Max.)	NA	NA	350 - 590	350 - 590
ACT 590 Sones (Min. - Max.)	NA	NA	3.3 - 6	3.3 - 6
ACT 390 CFM (Min. - Max.)	200 - 390	200 - 390	350 - 390	350 - 390
ACT 390 Sones (Min. - Max.)	1 - 4	1 - 4	3.3 - 4	3.3 - 4
ACT 290 CFM (Min. - Max.)	200 - 290	200 - 290	NA	NA
ACT 290 Sones (Min. - Max.)	1 - 3	1 - 3	NA	NA
FEATURES				
ACT™ Technology	Yes	Yes	Yes	Yes
Controls	Electronic Touch	Electronic Touch	Electronic Touch	Electronic Touch
Speed Levels	6*	6*	6*	6*
Auto Delay-Off	Yes	Yes	Yes	Yes
CleanAir Function	Yes	Yes	Yes	Yes
Lighting	LumiLight LED, 6W x2	LumiLight LED, 6W x2	LumiLight LED, 6W x2	LumiLight LED, 6W x4
Dual-Level Lighting	Yes	Yes	Yes	Yes
Filters	Pro Baffle x2	Pro Baffle x2	Pro Baffle x2	Pro Baffle x3
Grease Collection Tray	Yes	Yes	Yes	Yes
Wireless Remote Control	Yes	Yes	Yes	Yes
Recirculating Option	No	No	No	No
ADA Compliant	Yes	Yes	Yes	Yes
DUCT SPECIFICATIONS				
Vertical Internal Blower	8" Round	8" Round	10" Round	10" Round
Horizontal Internal Blower	8" Round	8" Round	NA	NA
AC POWER	120V, 60Hz at Max. 5A	120V, 60Hz at Max. 5A	120V, 60Hz at Max. 7A	120V, 60Hz at Max. 7A
OPTIONAL ACCESSORIES				
Make-Up Air Kit	MUA006A	MUA006A	MUA010A	MUA010A
MOUNTING HEIGHT RANGE**				
	26" - 36"	26" - 36"	26" - 36"	26" - 36"
WARRANTY				
	3 years parts, 1 year labor	3 years parts, 1 year labor	3 years parts, 1 year labor	3 years parts, 1 year labor

*When ACT™ is enabled the maximum speed levels will change. 30" and 36" models: ACT 390 CFM = 3 speeds and ACT 290 CFM = 2 speeds. 42" and 48" models: ACT 590 CFM = 3 speeds and ACT 390 CFM = 2 speeds.

**Mounting height refers to distance between top of a 36" tall cooking surface and bottom of hood.

ACT™ AIRFLOW CONTROL TECHNOLOGY™ (ACT™) is an exclusive feature built into specific Zephyr hoods which can limit the maximum blower CFM to meet local code requirements.

Specifications subject to change, check zephyronline.com for up-to-date information.
Zephyr Ventilation | 2277 Harbor Bay Parkway, Alameda, CA 94502 | 888.880.VENT

OCT20.0201

