

ELECTRIC RANGE

for residential use only



Models: **VEFSEE 365 ..**

INSTALLATION INSTRUCTIONS

IMPORTANT - PLEASE READ AND FOLLOW

- Before beginning, please read these instructions completely and carefully.
- Do not remove permanently affixed labels, warnings, or plates from the product. This may void the warranty.
- Please observe all local and national codes and ordinances.
- Please ensure that this product is properly grounded.
- **The installer should leave these instructions with the consumer who should retain for local inspector's use and for future reference.**

Electrical installation must be in accordance with the National Electrical Code, ANSI/NFPA70 - latest edition and/or local codes.

IN CANADA: Electrical installation must be in accordance with the current CSA C22.1 Canadian Electrical Codes Part 1 and/or local codes.

Some models are supplied with a protective film on steel and aluminium parts. This film must be removed before installing/using the appliance.

FOR INSTALLER ONLY

THIS RANGE IS FOR RESIDENTIAL USE ONLY



WARNING !

To reduce the risk of tipping the appliance, the appliance must be secured by properly installed anti-tip device packed with the appliance.

- ALL RANGES CAN TIP
- INJURY TO PERSONS COULD RESULT
- INSTALL ANTI-TIP DEVICE PACKED WITH RANGE
- SEE INSTALLATION INSTRUCTIONS

This appliance is designed and manufactured solely for the cooking of domestic (household) food and is not suitable for any non-domestic application and therefore should not be used in a commercial environment.

The appliance warranty will be void if the appliance is used within a non-domestic environment i.e. a semi-commercial, commercial or communal environment.

INSTALLATION INSTRUCTIONS

WARNING!

THIS APPLIANCE MUST BE INSTALLED BY A QUALIFIED INSTALLER.

Installation must conform with local codes.

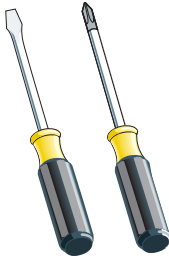
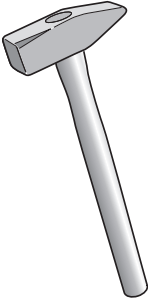

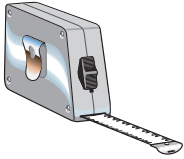
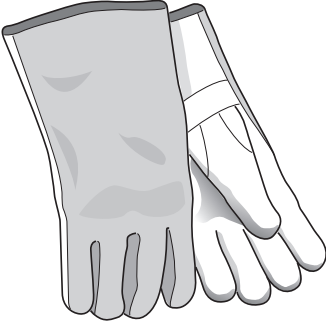
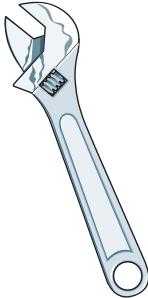
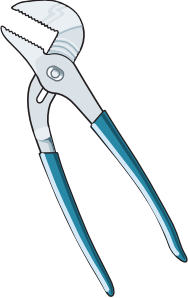
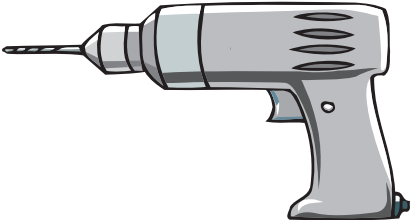
Improper installation, adjustment, alteration, services, or maintenance can cause injury or property damage. Consult a qualified installer or a service agent.



WARNING!!

IMPORTANT: The use of suitable protective clothing/gloves is recommended when handling, installing of this appliance.

TOOLS NEEDED FOR INSTALLATION (NOT SUPPLIED WITH THE APPLIANCE)

			
Screwdriver	Hammer	Pencil	Tape measure
			
Suitable protective gloves	Adjustable wrench	Adjustable pliers	Drill

GENERAL INFORMATION



WARNING!!

1. **This appliance shall not be used for space heating. This information is based on safety considerations.**
2. All openings in the wall behind the appliance and in the floor under the appliance shall be sealed.
3. Keep appliance area clear and free from combustible materials, gasoline, and other flammable vapors.
4. Do not obstruct the flow of ventilation air.
5. Disconnect the electrical supply to the appliance before servicing.
6. When removing appliance for cleaning and/or service;
 - A. Disconnect AC power supply.
 - B. Carefully remove the range by pulling outward.

CAUTION: Range is heavy; use care in handling.
7. **Electrical Requirement**
Electrical installation should comply with national and local codes.
8. The misuse of oven door (e.g. stepping, sitting, or leaning on them) can result in potential hazards and/or injuries.
9. When installing or removing the range for service, a rolling lift jack should be used. Do not push against any of the edges of the range in an attempt to slide it into or out of the installation. Pushing or pulling a range (rather than using a lift jack) also increases the possibility of bending the leg spindles or the internal coupling connectors.



WARNING!!

ELECTRICAL GROUNDING INSTRUCTIONS

The range must be electrically grounded in accordance with local codes or, in the absence of local codes, with the National Electrical Code, ANSI/NFPA No. 70-latest edition, in Canada Canadian Electrical Code. Installation should be made by a licensed electrician.

FOR PERSONAL SAFETY, THIS APPLIANCE MUST BE PROPERLY GROUNDED.

If an external electrical source is utilized, the installation must be electrically grounded in accordance with local codes or, in the absence of local codes, with the national Electrical Code, ANSI/NFPA 70.

REPLACEMENT PARTS

Only authorized replacement parts may be used in performing service on the range. Replacement parts are available from factory authorized parts distributors. Contact the nearest parts distributor in your area.

PROXIMITY TO SIDE CABINETS

1. This range may be installed directly adjacent to existing 36" (914 mm) high base cabinets.

Range dimensions:

- width: 35" 7/8 (911 mm)
 - depth: 23" 31/32 (609 mm)
 - height (without backguard): MIN 35" 7/16 (900 mm) MAX 37" 13/32 (950 mm)
 - backguard (height): 8" (203 mm) or 3" (76 mm)
- Grounded outlet: should be located from the left to the right side of the range; from 6" 11/16 (170 mm) to 8" 21/32 (220 mm) [depending on feet regulation] from the floor.

2. The range CANNOT be installed directly adjacent to sidewalls, tall cabinets, tall appliances, or other side vertical surfaces above 36" (914 mm) high.

There must be a minimum of 2" (50 mm) side clearance from the range to such combustible surfaces TO THE LEFT or TO THE RIGHT above the 36" (914 mm) high countertop.

IMPORTANT: One side (left or right) above the 36" (914 mm) high countertop must always be kept clear.

Installation with 3" backguard: There must be a minimum of 12" (305 mm) clearance from the back of the 3" backguard to such combustible surface on the back of the range above the 36" (914 mm) high countertop.

3. The maximum upper cabinet depth recommended is 13" (330 mm). Wall cabinet above the range must be a minimum of 30" (762 mm) above the countertop for a width of minimum 35" 7/8 (911 mm); it has to be centred with the range. Side wall cabinets above the range must be a minimum of 18" (457 mm) above the countertop.

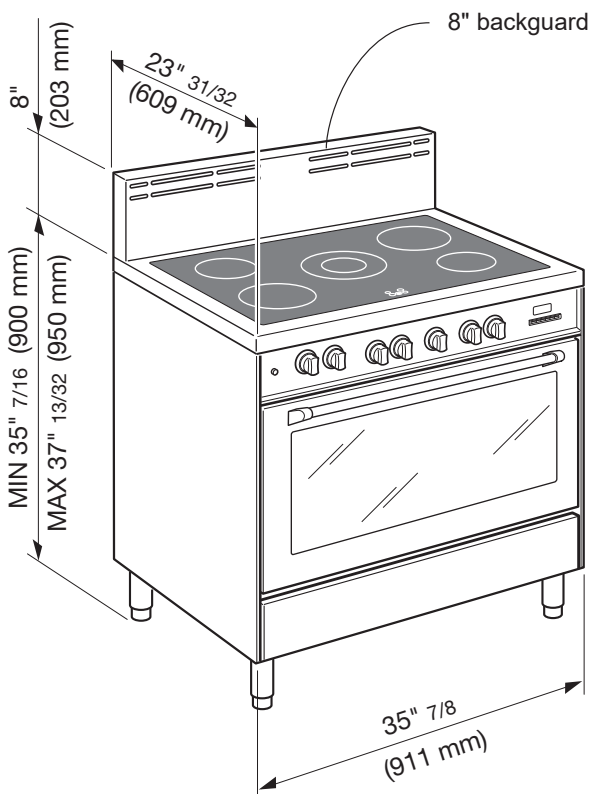


Fig. 1.1a

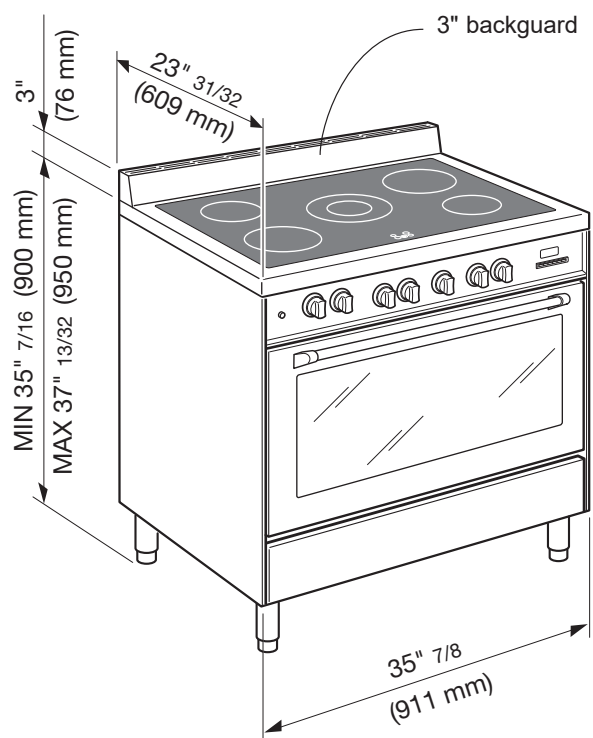
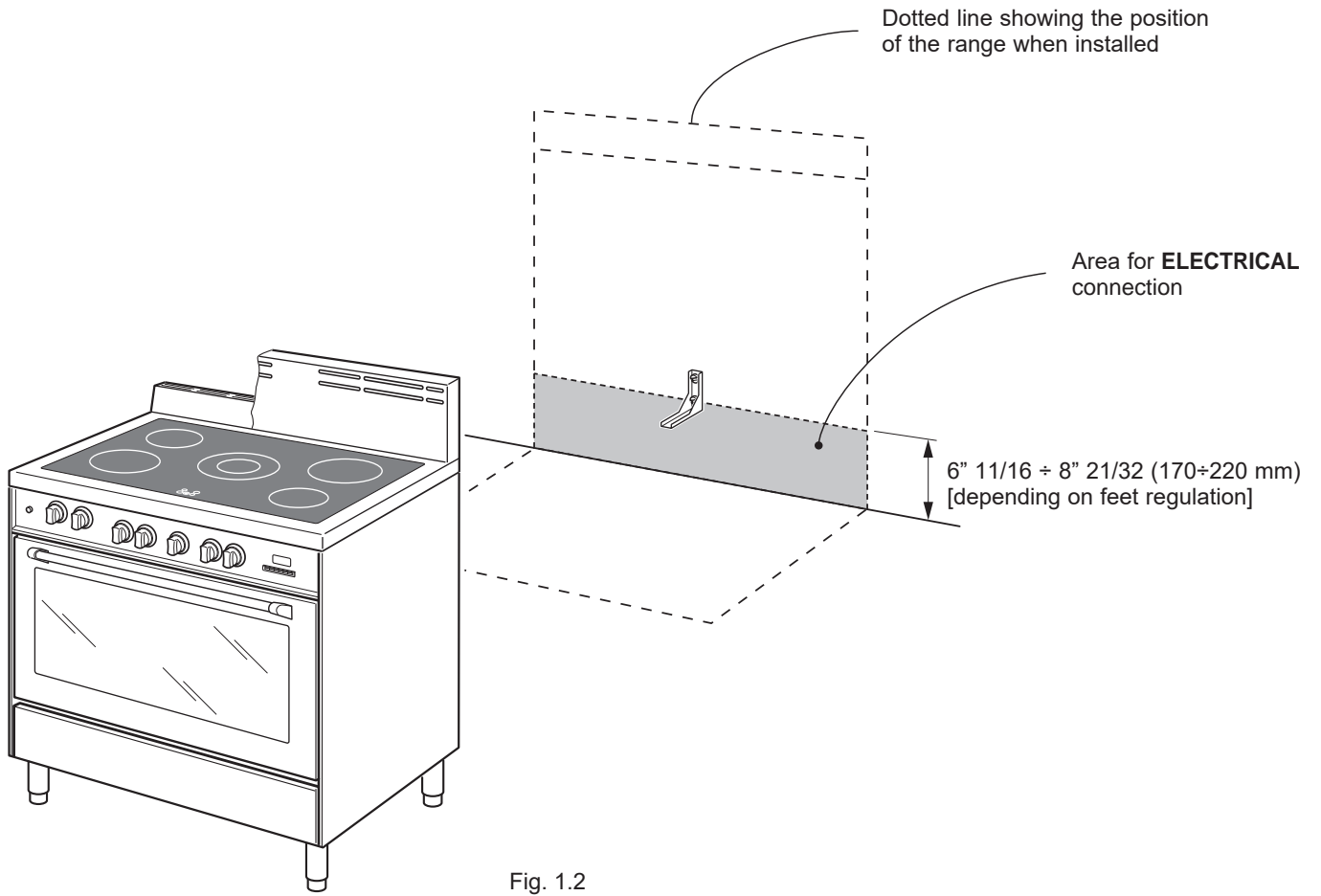


Fig. 1.1b

ELECTRIC CONNECTION



**PROXIMITY TO SIDE CABINETS
RANGE WITH 8" BACKGUARD**

Fig. 1.3a

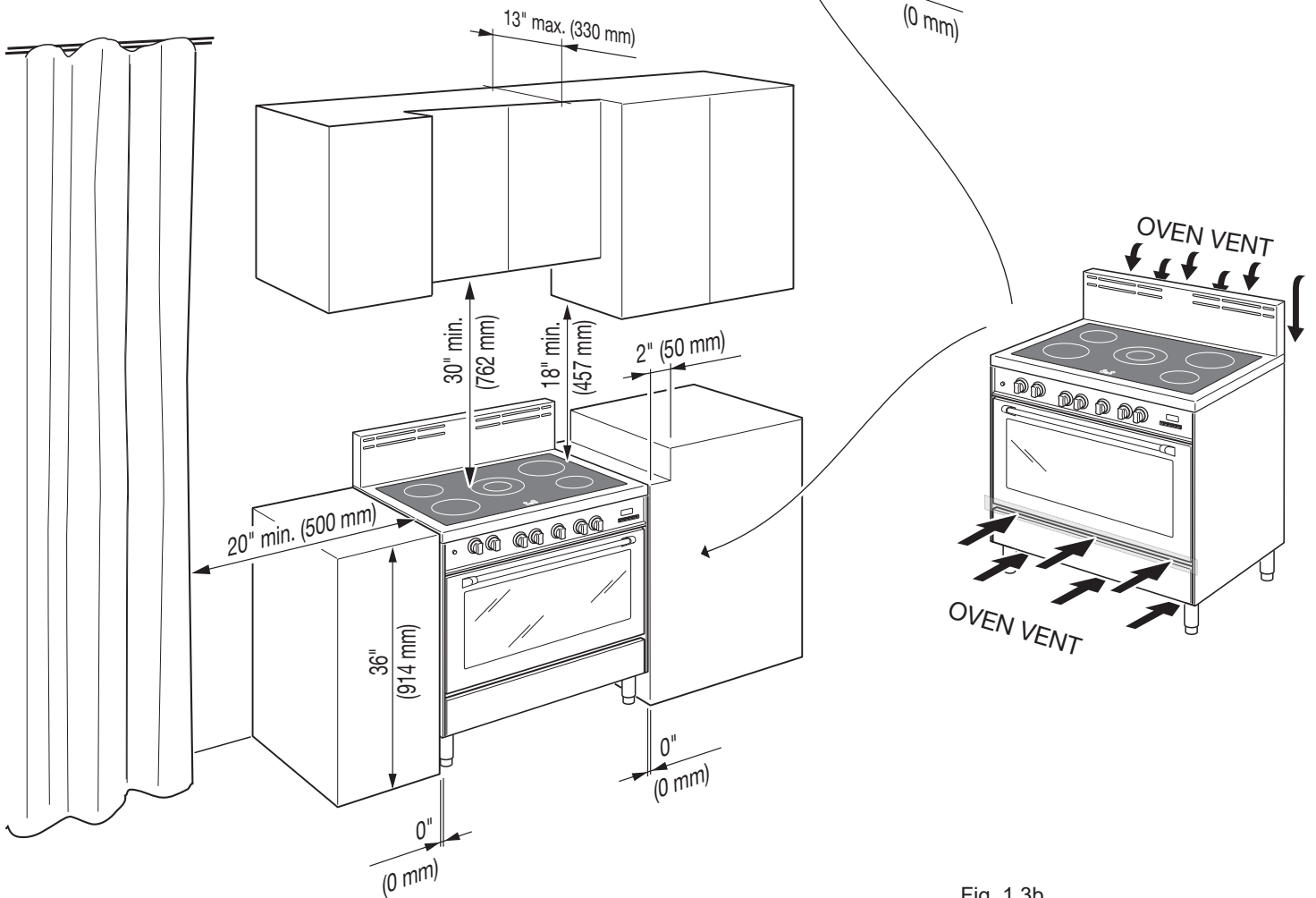
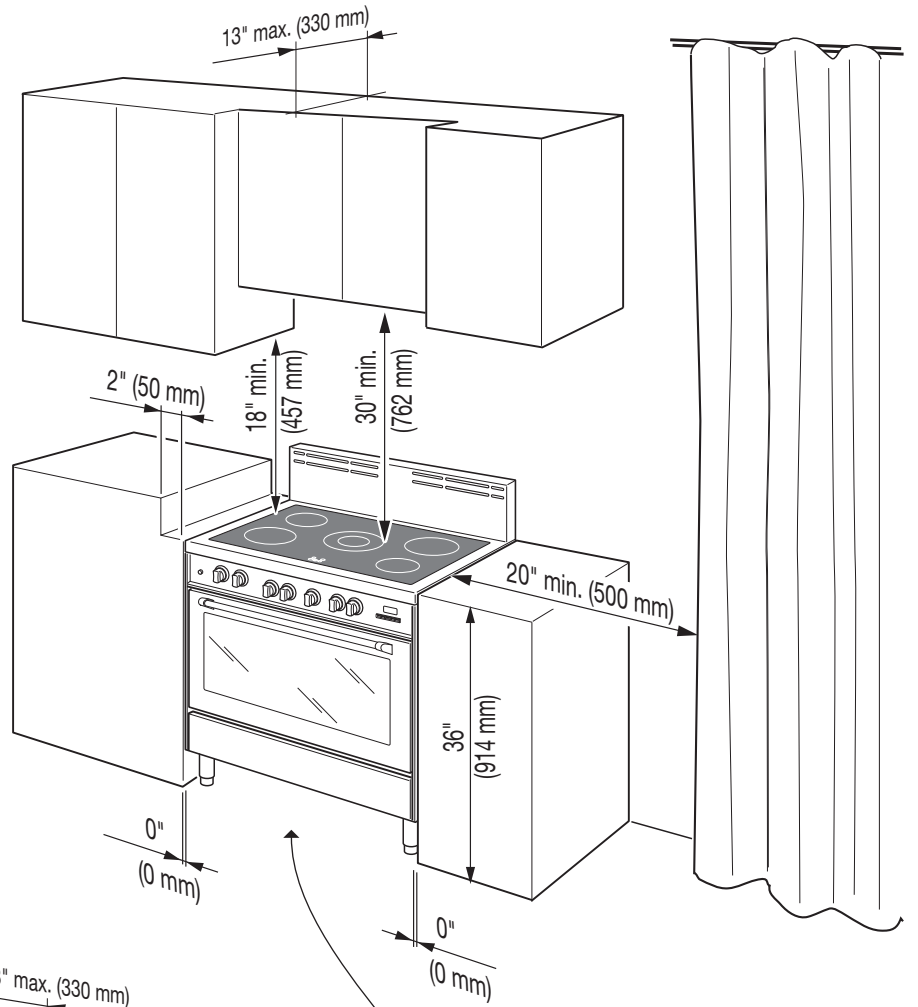


Fig. 1.3b

PROXIMITY TO SIDE CABINETS
RANGE WITH 3" BACKGUARD

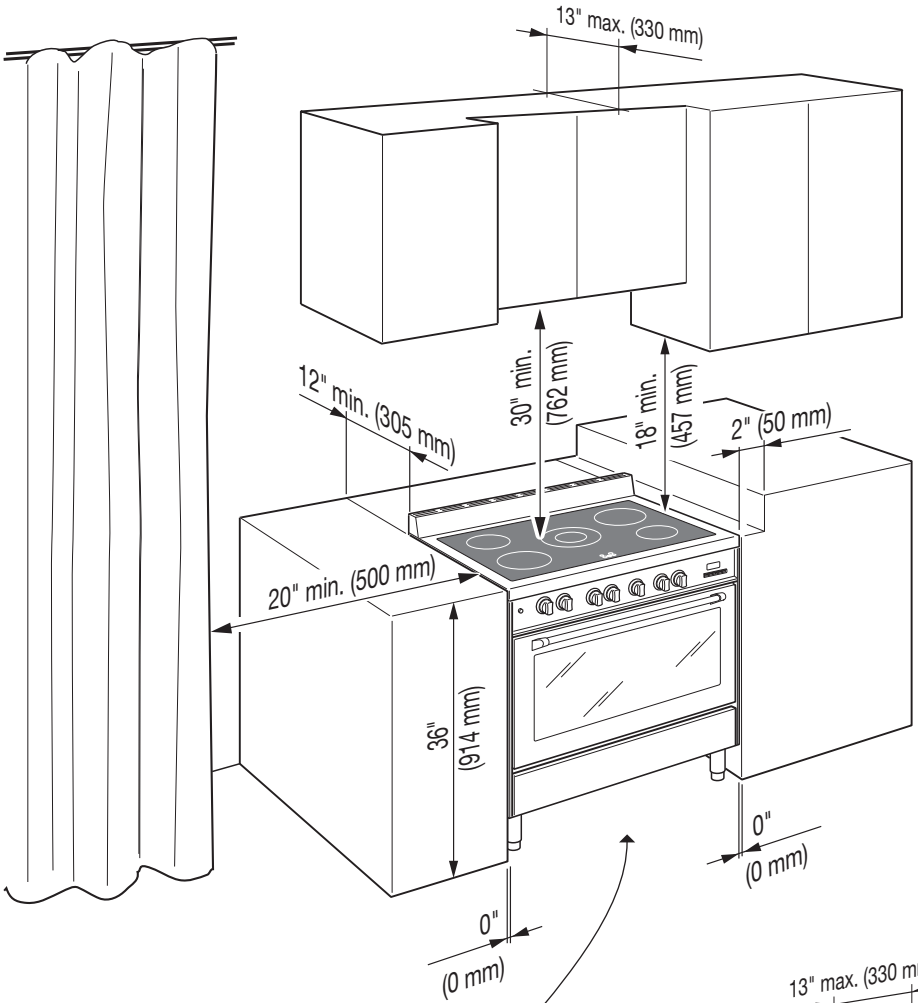


Fig. 1.3c

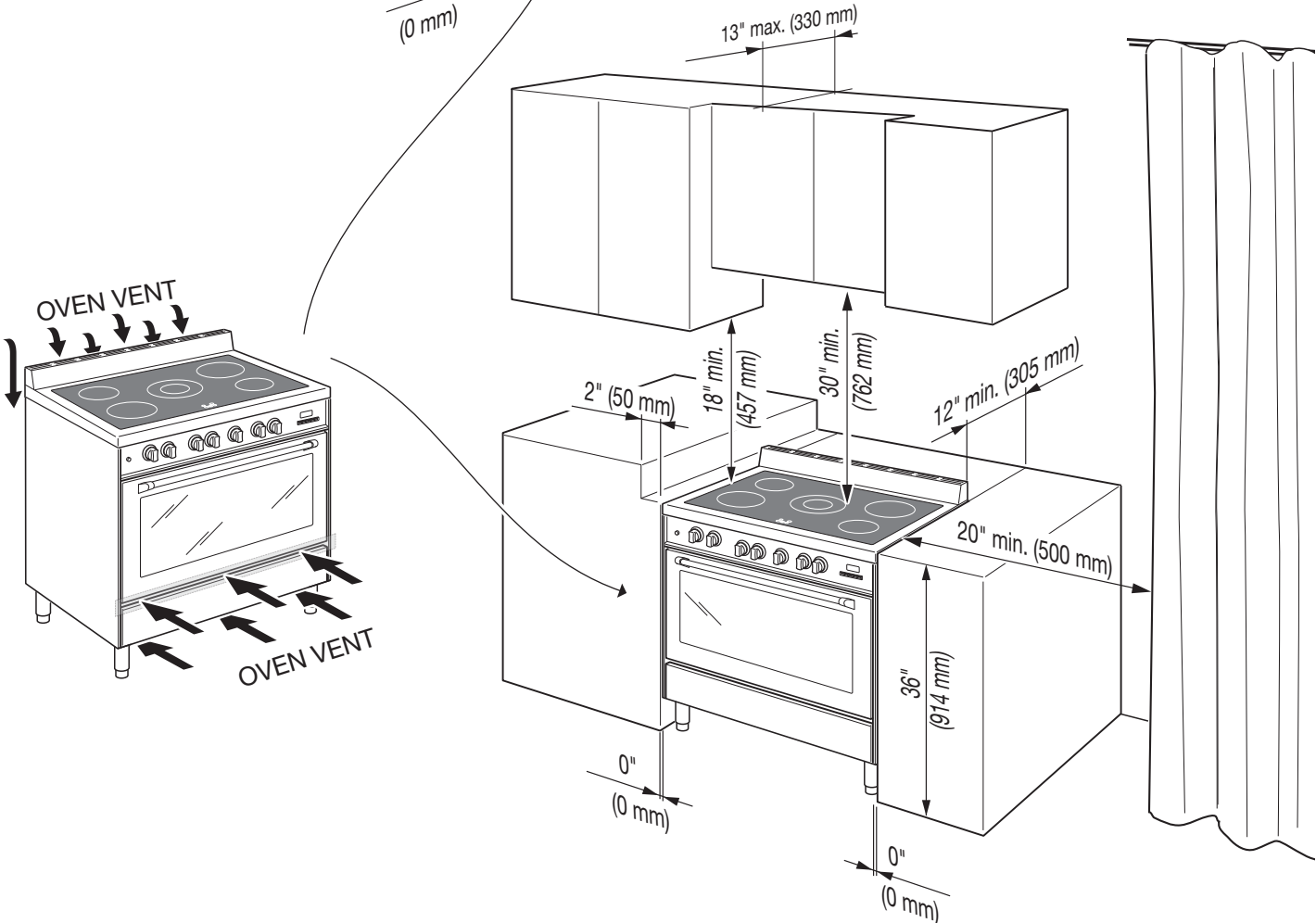


Fig. 1.3d

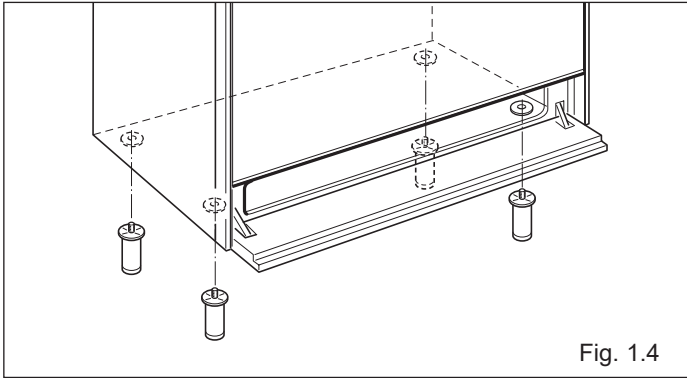


Fig. 1.4

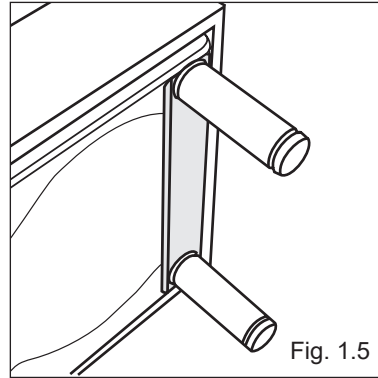


Fig. 1.5

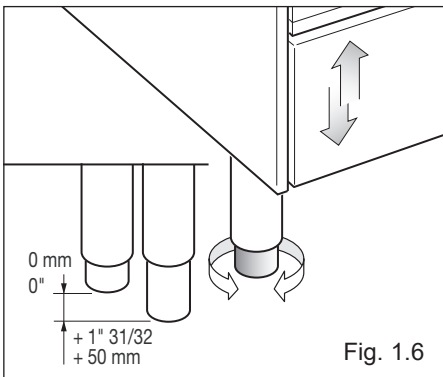


Fig. 1.6

FITTING THE ADJUSTABLE FEET

The adjustable feet must be fitted to the base of the cooker before use.

Rest the rear of the cooker on a piece of the polystyrene packaging exposing the base for the fitting of the feet.

ATTENTION: Most important! Pay special attention not to damage the range during this operation.

Fit the 4 legs by screwing them tight into the support base as shown in picture 1.5.

LEVELLING THE COOKER

The cooker may be levelled by screwing the lower ends of the feet IN or OUT (fig. 1.6). It is important to observe the directions of figure 1.6.

MOVING THE COOKER

WARNING

When raising cooker to upright position always ensure two people carry out this manoeuvre to prevent damage to the adjustable feet (fig. 1.7a).

WARNING

Be careful: do not lift the cooker by the door handle when raising to the upright position (fig. 1.7b).

WARNING

When moving cooker to its final position **DO NOT DRAG** (fig. 1.7c). Lift feet clear of floor (fig. 1.7a).

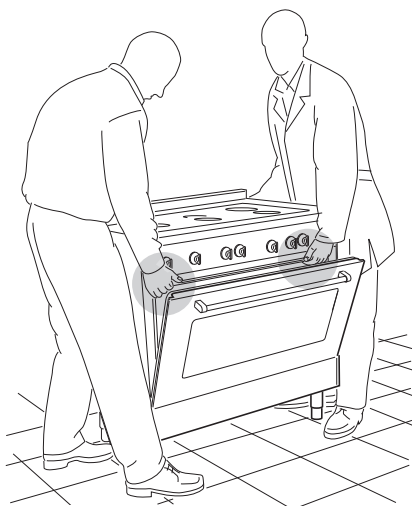


Fig. 1.7a

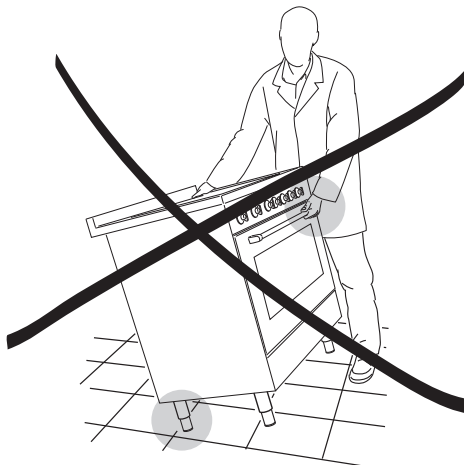


Fig. 1.7b

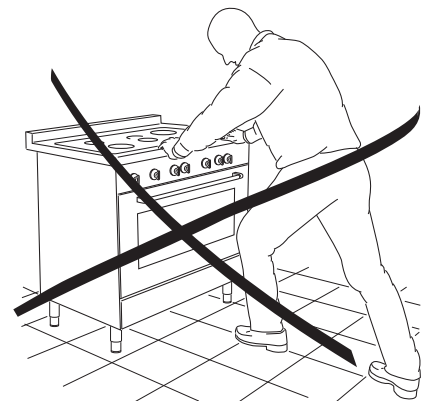


Fig. 1.7c

ASSEMBLING THE BACKGUARD

It is mandatory to install the backguard

- Assemble the backguard as shown in figure 1.8 or 1.9 and fix it by screwing the 5 screws "A" (which are already fixed on the back of the cooktop).
- Do not remove the 3 spacers "B" already fitted on the back of the backguard.

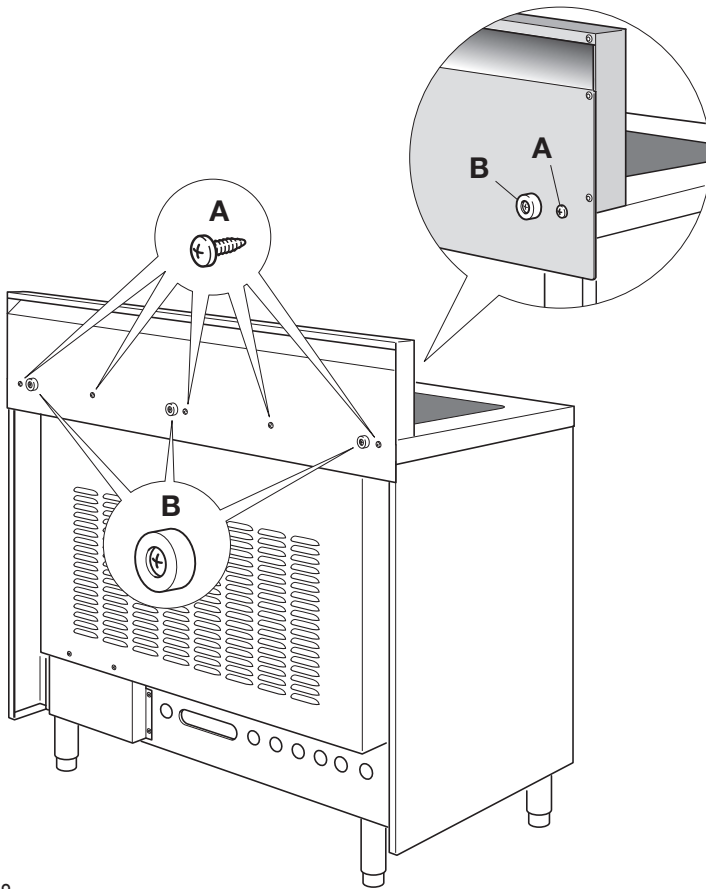


Fig. 1.8

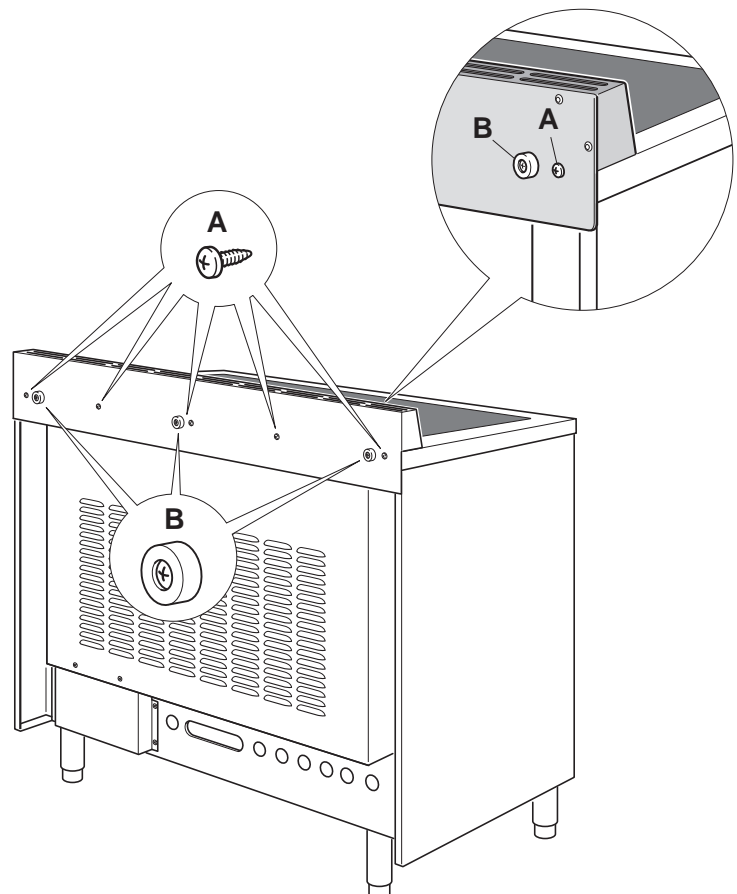


Fig. 1.9

YOU MUST USE STABILITY ANTI TIP BRACKET TO PREVENT UNIT FROM TIPPING.

ANTI-TIP STABILITY DEVICE INSTALLATION INSTRUCTIONS

1. The anti-tip bracket has to be attached as shown on figure below, it has to be fixed on the rear wall by no. 2 (two) suitable screws (supplied with the anti-tip kit).
2. After fixing the anti-tip bracket, slide range into place. Be sure the anti-tip bracket is fully inserted in the slot of the range back.

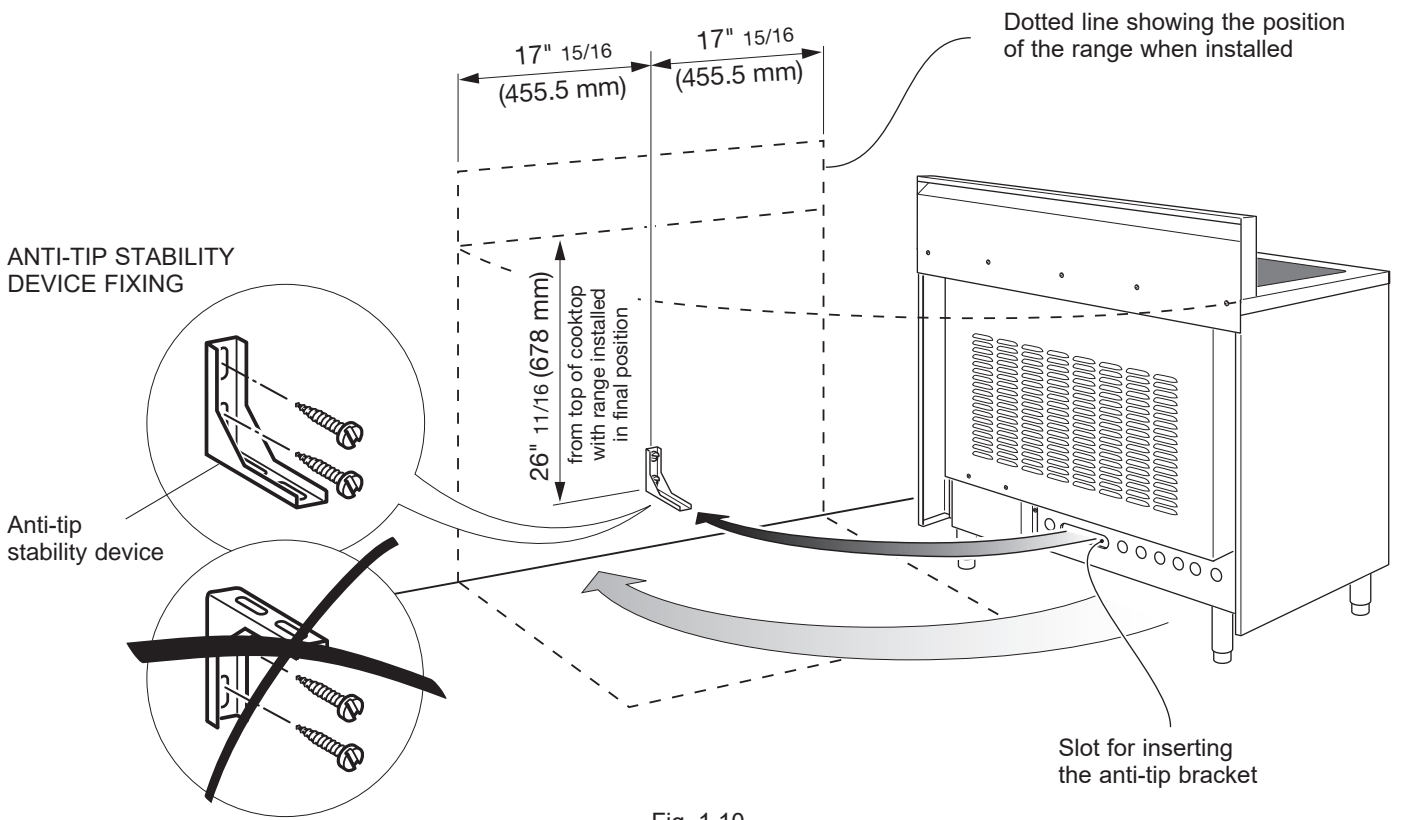



Fig. 1.10



WARNING

TO AVOID ELECTRICAL SHOCK HAZARD, BEFORE INSTALLING THE APPLIANCE, SWITCH POWER OFF AT THE SERVICE PANEL AND LOCK THE PANEL TO PREVENT THE POWER FROM BEING SWITCHED ON ACCIDENTALLY.



WARNING!!



Electrical Shock Hazard
Electrically ground range. Failure to follow these instructions can result in death, fire, or electrical shock.

ELECTRICAL REQUIREMENTS


- This appliance must be properly installed and grounded by a qualified technician in accordance with the National Electrical Code ANSI/NFPA No.70 (latest edition) and local electrical code requirements. IN CANADA: Electrical installation must be in accordance with the current CSA C22.1 Canadian Electrical Codes Part1 and/or local codes.
- This appliance may be connected by means of permanent “Hard Wiring” or “Power Supply Cord Kit”. Power supply cord is not supplied, but it is available through your local electric supply house.
- Use only 3-conductor or 4-conductor CSA/UL listed range cord rated at 50 amps with 250 V minimum and provided with ring terminals. These cords should be provided with strain relief or conduit connector.

Warning: Frame grounded through neutral lead. If used in,

- New branch-circuit installations (1996 NEC),
- Mobile homes,
- Recreational vehicles, or
- In an area where local codes prohibit grounding through neutral, use a 4 conductor cord or conduit.
- The range must be connected to the proper electrical voltage and frequency as specified on the rating plate.
- The range can be connected directly to the fused disconnect (or circuit breaker box) through flexible, armoured or non-metallic sheathed, copper cable (with grounding wire). Allow two to three feet of slack in the line so that it can be moved if servicing is ever necessary.

Voltage and Power Consumption

AC 120/240 V	60 Hz	11416 W MAX	47.6 A MAX
AC 120/208 V	60 Hz	8575 W MAX	41.22 A MAX



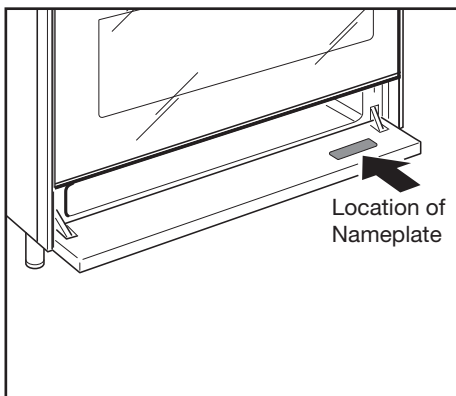
WARNING!!

For installations within the United States, it is highly recommended to use a 4-wire power cord. Using the 3-wire installation may result in insufficient power to your range, and will result in poor heating performance resulting in very long cooking times.

ELECTRICAL CONNECTION WITH POWER CORD

Use a 3-wire power supply cord kit rated for 50 amps - 125/250 volts with closed loop terminals and marked for use with ranges. Where local codes do not permit grounding through neutral, use a 4-wire power supply cord kit.

The cord must be secured to the range with a suitable strain relief. The electrical connection is made at the terminal block, which is located behind the terminal block access plate on the back of the range.



ELECTRICAL CONNECTION WITH CONDUIT

Use 3/4" trade size CSA/UL-listed conduit with a conduit clamp, 10 AWG/600 volt copper conductor colored red for line 1 and black for line 2 and 12 AWG/600 volt copper conductor (or 10 AWG/600 Volt copper conductor if grounding through neutral) colored white for neutral with closed loop terminals marked for use with ranges.

Where local codes do not permit grounding through neutral, use a green 10 AWG copper conductor as directed in the 4-wire connector directions. The conduit must be secured to the range with the strain relief bracket. The electrical connection is made at the terminal block which is located behind the terminal block access plate on the back of the range.

3-Wire Power Cord Installation

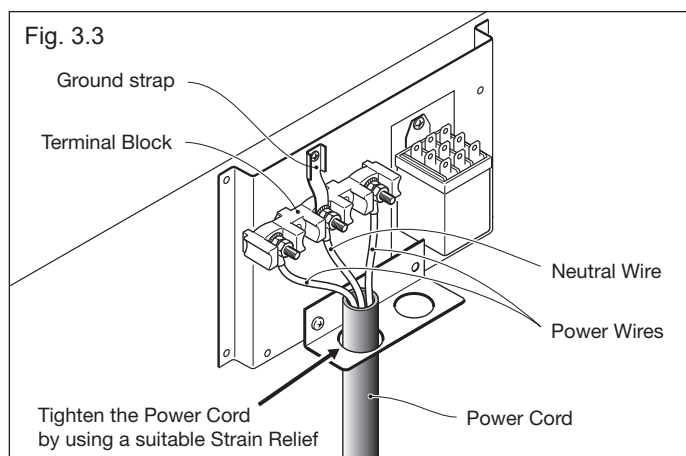
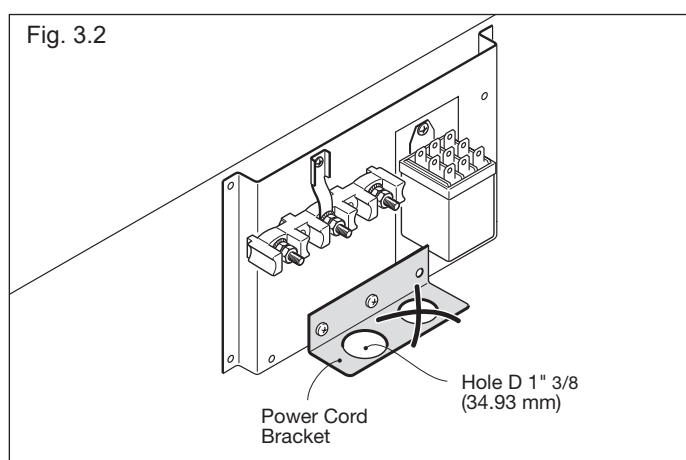
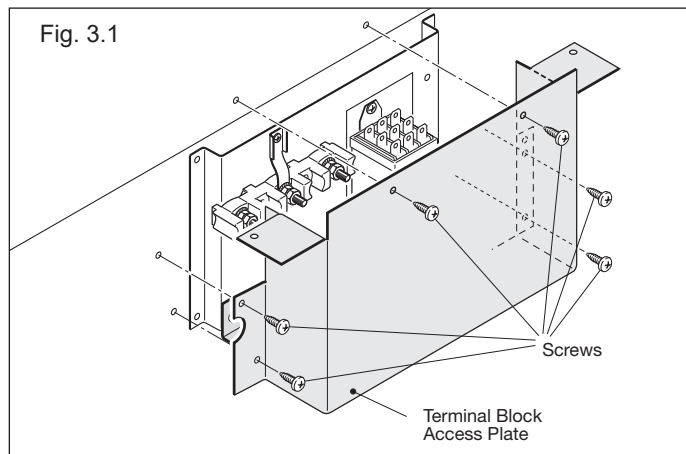
(See Figures 3.1, 3.2 and 3.3)

1. Remove the **Terminal Block Access Plate** on the back of the range by unscrewing the 6 fixing **Screws** (fig. 3.1).
2. Insert the **Power Cord** through the hole in the **Power Cord Bracket**; then tighten the **Power Cord** by using a suitable **Strain Relief**. Allow enough slack to easily attach the cord terminals to the **Terminal Block**.
3. Remove the 3 wire terminal nuts and washers from the **Terminal Block**.
4. Plug the terminal holes of **Power Cord**. The **Neutral or Ground Wire** of the **Power Cord** must be connected to the neutral terminal located in the center of **Terminal Block**. The **Power Wires** must be connected to the outside terminals.
5. Plug washers and tighten nuts securely.



Do not remove **Ground strap**.

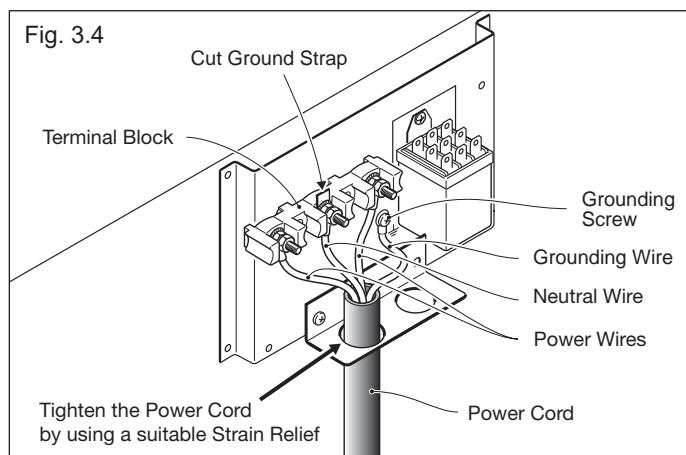
6. Assemble the **Terminal Block Access Plate**.

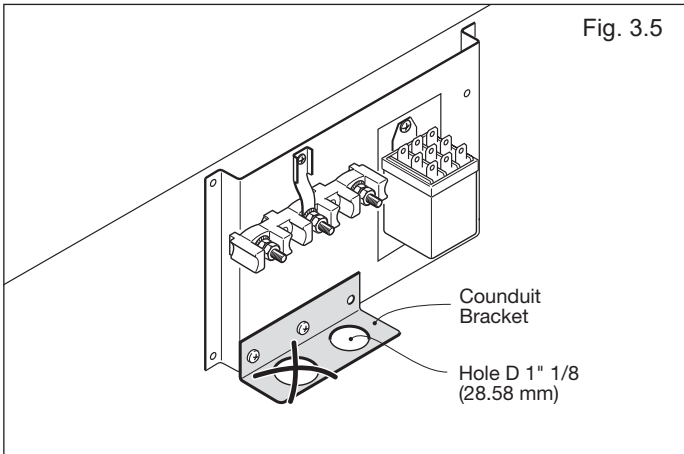


4-Wire Power Cord Installation

(See Figures 3.1, 3.2 and 3.4)

1. Remove the **Terminal Block Access Plate** on the back of the range by unscrewing the 6 fixing **Screws** (fig. 3.1).
2. Insert the **Power Cord** through the hole in the **Power Cord Bracket**; then tighten the **Power Cord** by using a suitable **Strain Relief**. Allow enough slack to easily attach the cord terminals to the **Terminal Block**.
3. Remove the 3 wire terminal nuts and washers from the **Terminal Block**.
4. Remove the **Ground Strap** from the frame of range and terminal by removing its screw and cutting it as shown in figure 3.4.
5. Plug the terminal holes of **Power Cord**. The **Neutral Wire** of the **Power Cord** must be connected to the neutral terminal located in the center of **Terminal Block**; the **Power Wires** must be connected to the outside terminals; the **Ground Wire** must be attached to the frame of range by using the \perp (Ground) identified **Grounding Screw**.
6. Plug washers and tighten nuts securely.
7. Assemble the **Terminal Block Access Plate**.





3-Wire Conduit Installation

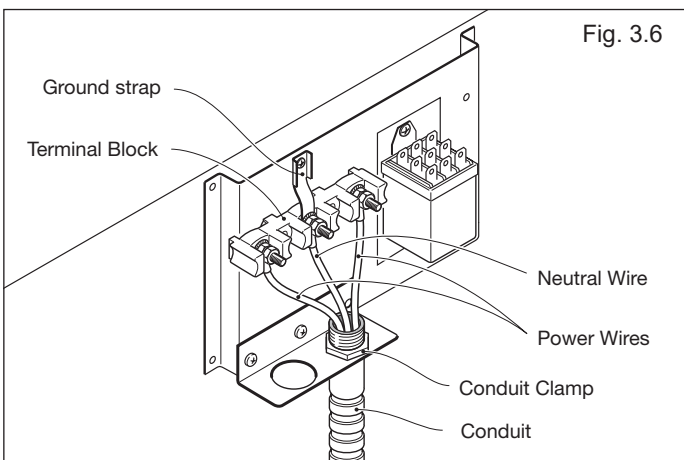
(See Figures 3.1, 3.5 and 3.6)

1. Remove the **Terminal Block Access Plate** on the back of the range by unscrewing the 6 fixing **Screws** (fig. 3.1).
2. Feed 3/4" trade size **Conduit** through the hole in the **Conduit Bracket** and secure to the **Conduit Bracket** with a **Conduit Clamp**.
3. Remove the 3 wire terminal nuts and washers from the **Terminal Block**.
4. Plug the terminal holes of conductors. The **Neutral or Ground Wire** of the **Power Cord** must be connected to the neutral terminal located in the center of **Terminal Block**. The **Power Wires** must be connected to the outside terminals.
5. Plug washers and tighten nuts securely.



Do not remove **Ground strap**.

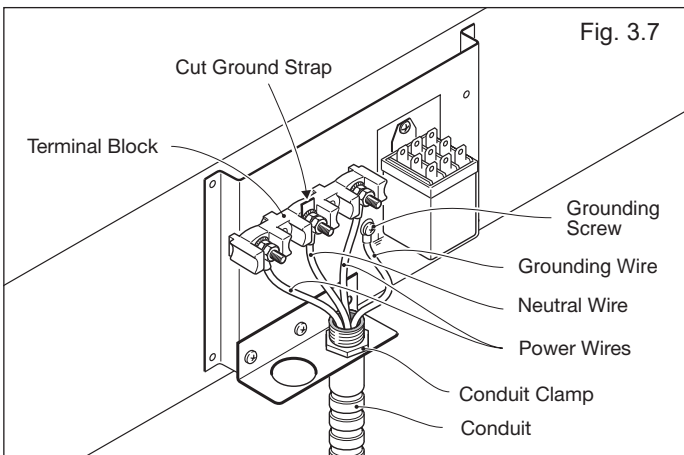
6. Assemble the **Terminal Block Access Plate**.



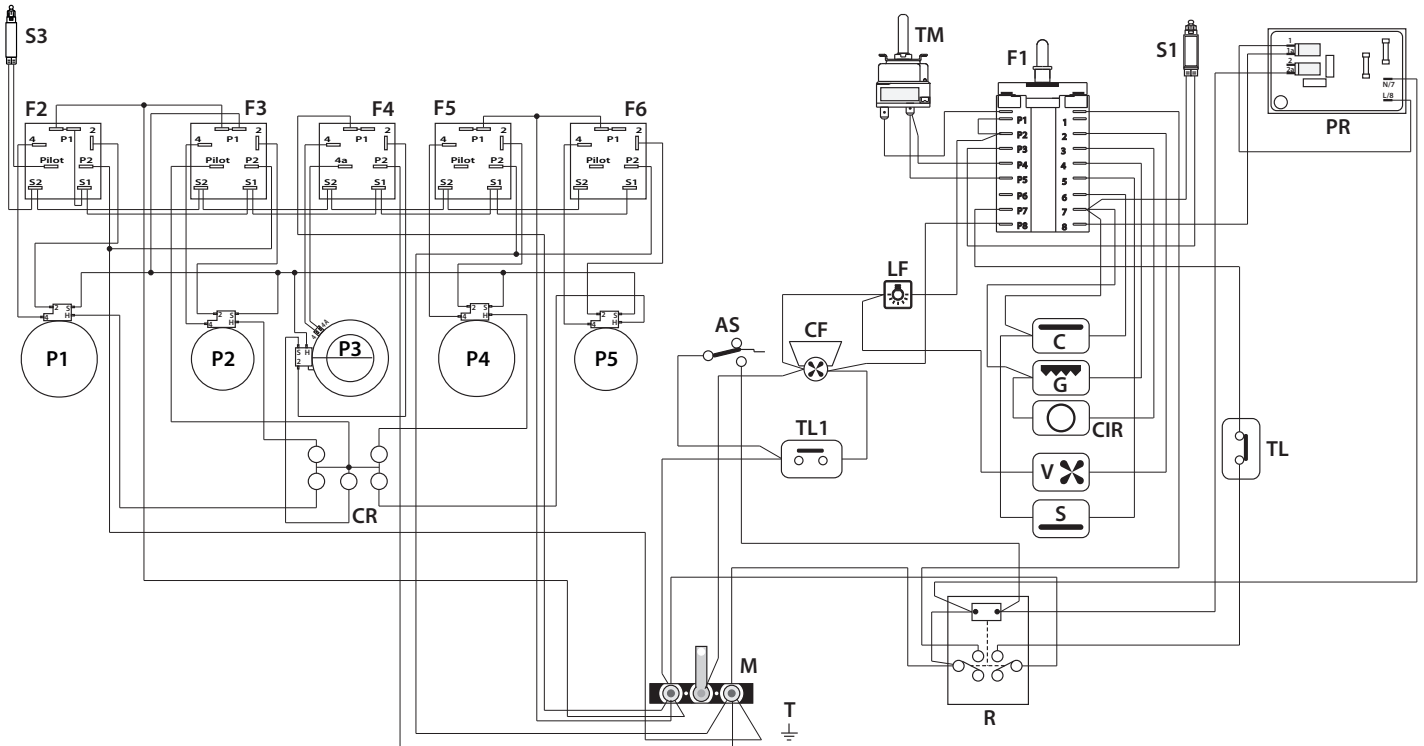
4-Wire Conduit Installation

(See figures 3.1, 3.5 and 3.7)

1. Remove the **Terminal Block Access Plate** on the back of the range by unscrewing the 6 fixing **Screws** (fig. 3.1).
2. Feed 3/4" trade size **Conduit** through the hole in the **Conduit Bracket** and secure to the **Conduit Bracket** with a **Conduit Clamp**.
3. Remove the 3 wire terminal nuts and washers from the **Terminal Block**.
4. Remove the **Ground Strap** from the frame of range and terminal by removing its screw and cutting it as shown in figure 3.7.
5. Plug the terminal holes of conductors. The **Neutral Wire** of the **Power Cord** must be connected to the neutral terminal located in the center of **Terminal Block**; the **Power Wires** must be connected to the outside terminals; the **Ground Wire** must be attached to the frame of range by using the \perp (Ground) identified **Grounding Screw**.
6. Plug washers and tighten nuts securely.
7. Assemble the **Terminal Block Access Plate**.



WIRING DIAGRAM



ELECTRIC DIAGRAM KEY

CF	Cooling fan motor
TL1	Cooling fan thermal overload
AS	Air switch
R	Relay
M	Terminal block
T	Grounding point

OVEN	
F1	Oven switch
TM	Oven thermostat
PR	Electronic programmer
TL	Thermal overload
LF	Oven lamp
S1	Oven temperature indicator light
C	Top element
G	Broil element
CIR	Circular element
S	Bottom element
V	Fan motor

GLASS CERAMIC HOB	
F2/3/5/6	Single zones energy regulators
F4	Double zone energy regulator
P1/2/4/5	Single zone radiant elements
P3	Double zone radiant element
CR	Residual heat indicator lights
S3	Line pilot lamp

The manufacturer cannot be held responsible for possible inaccuracies due to printing or transcription errors in the present booklet.

The manufacturer reserves the right to make all modifications to its products deemed necessary for manufacture or commercial reasons at any moment and without prior notice, without jeopardising the essential functional and safety characteristics of the appliances.