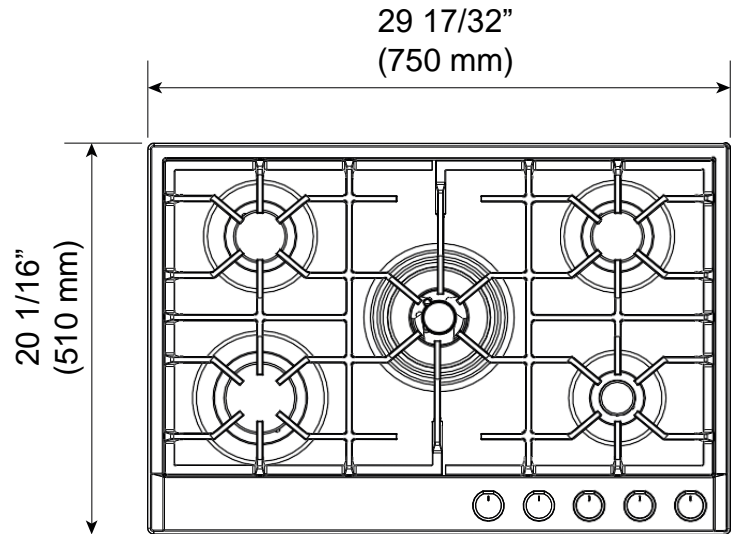


30" DESIGNER SERIES GAS COOKTOP

Specifications	
Model Number	VDGCT530FSS
General Features	
Size	30"
Type	Gas
Liquid Propane (LP)	Kit included
Colors	Stainless Steel
Control Knobs	Soft Touch w/ Chrome Cap
Power Requirements	120 Volt 60Hz. 15 Amp
Cook Top Features	
Burners	5
Left Front	10,000 BTU
Right Front	4,000 BTU
Center – Dual Ring	16,000 BTU
Left Rear	7,000 BTU
Right Rear	7,000 BTU
Grates and Caps	Cast Iron
Continuous Grates	Yes
Flame Failure Safety Device	Yes
Dimensions	
Cut Out	
Width (in)	29 9/64
Depth (in)	18 57/64
Overall	
Width (in)	29 17/32
Undercounter Thickness (in)	2
Depth (in)	20 1/16



Stainless Steel – VDGCT530FSS

FEATURES

- Electronic Ignition
- 5 Brass Burners w/ 1 Dual Burner
- Front Control Knob Design
- Continuous Cast-Iron Grate and Caps
- Flame failure safety device
- Available in stainless steel

Accessories:

- LP kit - Included
- Simmer Plate – optional
- Wok Ring - optional



SOFT TOUCH
RUBBERIZED
KNOBS w/
CHROME CAPS