

# RQ48T94B277

SAMSUNG

## 17.3 cu. ft. Smart Kimchi & Specialty 4-Door French Door Refrigerator



### Signature Features

#### Super Precise Cooling

Maintain specific temperatures within  $\pm 1^\circ$  F to create the optimal environment for fermenting kimchi and keeping fruits and vegetables fresher, longer.\*

\*Based on testing on the Samsung Kimchi Refrigerator RQ48R94A101 model in Fridge - Cold Mode at 36° F, compared with a Samsung Refrigerator RH81M8141S9 in Fridge Mode at 36° F. May vary depending on the actual usage environment.

#### FlexZone Storage

Spacious, full-width drawers have three different temperature settings you can adjust with the press of a button to go from a light chill to a deep freeze.

#### Metal Cooling

Stainless steel panels cool food faster and help maintain consistent temperatures for longer lasting freshness.

### Available Color



White-Navy Glass



Super Precise Cooling



FlexZone Storage

### Convenience

- Super Precise Cooling
- FlexZone Storage
- Metal Cooling
- Large Capacity - 17.3 cu. ft.
- Crispers
- Wide French Doors
- Wi-Fi Enabled

### Design

- Modern Design

### Performance

- ENERGY STAR® Certified

### Rating



ENERGY STAR® rated:  
487 kWh/yr

# RQ48T94B277

SAMSUNG

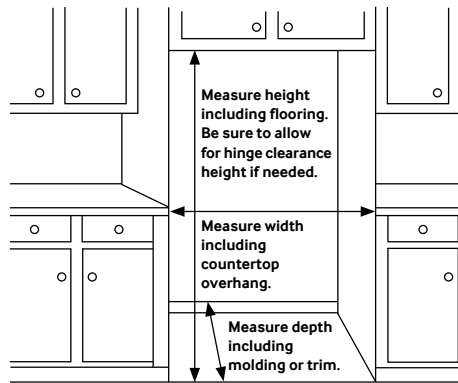
## 17.3 cu. ft. Smart Kimchi & Specialty 4-Door French Door Refrigerator

### Installation Specifications

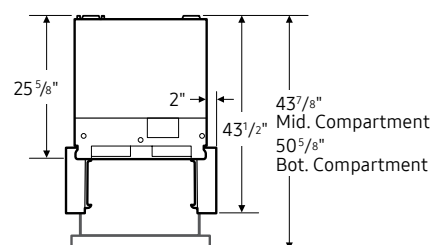
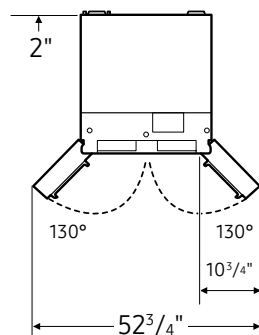
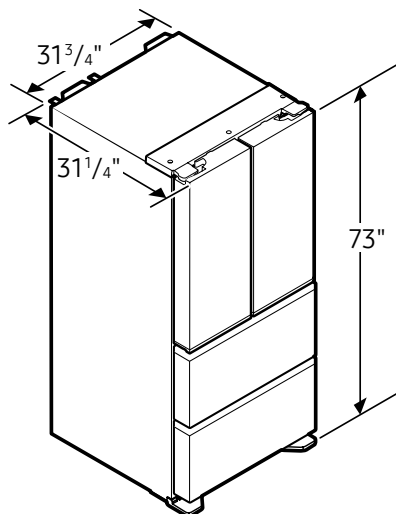
1. Measure the height, width and depth of the opening, making sure to include baseboards, molding tile, countertop overhang, etc. Check to be sure there is enough room to open the door (consider walls, islands or other obstacles when measuring).
2. Refer to illustration below to determine dimensions.
3. Allow 3.75" of clearance on hinge side of refrigerator when installing next to a wall where handle may make contact.
4. Allow 2" minimum clearance at rear for proper air circulation and water/electrical connections. Allow a 3/8" minimum clearance at sides and top for ease of installation.
5. Ensure each door and entryway in the home is wide enough for the refrigerator to be moved through easily.

For optimal usage and ability to open refrigerator doors completely, do not install next to a wall.

Please note: The following dimension and cutout information is for planning purposes only. For complete installation details, consult manual packed with product, or download manual online at [samsung.com](http://samsung.com).



### Dimensions



**Total Capacity: 17.3 cu. ft.**

**Refrigerator: 10.4 cu. ft.**

- 2 Humidity-Controlled Crispers
- 3 Tempered Glass Spill-Proof Shelves
- 6 Clear Door Bins
  - Right Door: 3 Bins
  - Left Door: 3 Bins
- 12 Containers

**Middle Compartment: 3.7 cu. ft.**

**Bottom Compartment: 3.2 cu. ft.**

### Warranty

One (1) Year Parts and Labor on Refrigerator

Five (5) Years Parts and Labor on Sealed Refrigeration System Only\*

Ten (10) Years Parts and Five (5) Years Labor on Digital Inverter Compressor

\*Compressor, evaporator, condenser, drier and connecting tubing.

### Product Dimensions & Weight

Dimensions (WxHxD with hinges and doors):

31<sup>3</sup>/<sub>4</sub>" x 73" x 31<sup>1</sup>/<sub>4</sub>"

Dimensions (WxHxD without hinges and doors):

31<sup>3</sup>/<sub>4</sub>" x 70<sup>1</sup>/<sub>2</sub>" x 25<sup>5</sup>/<sub>8</sub>"

Weight: 348 lbs

### Shipping Dimensions & Weight (WxHxD)

Dimensions: 34" x 78<sup>3</sup>/<sub>8</sub>" x 33<sup>5</sup>/<sub>8</sub>"

Weight: 370 lbs

Color	Model #	UPC Code
White-Navy Glass	RQ48T94B277/AA	882726474571

Accessory	Model #	UPC Code
Kimchi Container	RA-KPCRQ48T/AA	882776476896