

- Signature SAPPHIRE Blue interior
- Full wrapped stainless-steel exterior
- 2 full extension stainless steel lined drawers
- Multifunction capacitive touch electronic control
- Temperature range: 34°F to 65°F
- Fan assisted cooling system allows for even temperatures, quicker cool down times, and added efficiency
- Full LED theater lighting
- Adaptable stainless steel dividers in each drawer allows customization of drawer space
- 1" diameter stainless steel handles with faceted standoffs (22" Length)
- 4 independent adaptable leveling legs
- Fixed louvered stainless steel grille
- Automatic defrost
- Lock standard



Stainless with lock

Model Details

Model	Lock	Finish	Description	Shipping Weight	MAP
SRD24-OD	Standard	Stainless Steel	24" Outdoor Refrigerator Drawers	157 lbs	\$2499

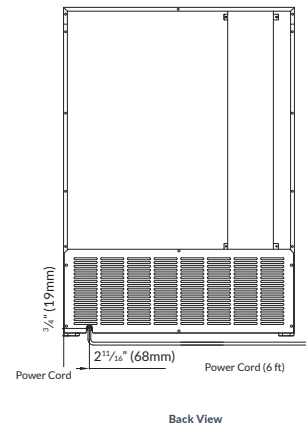
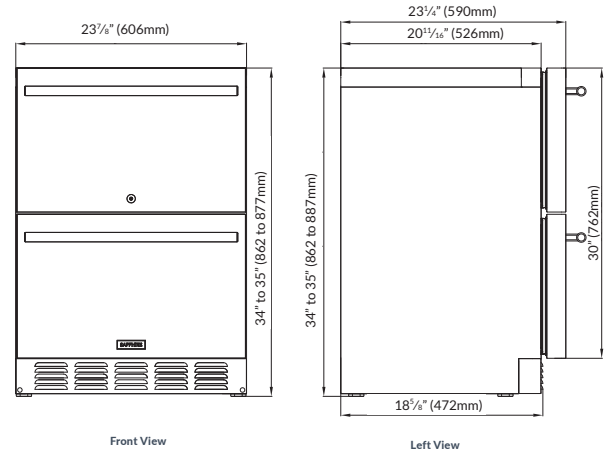
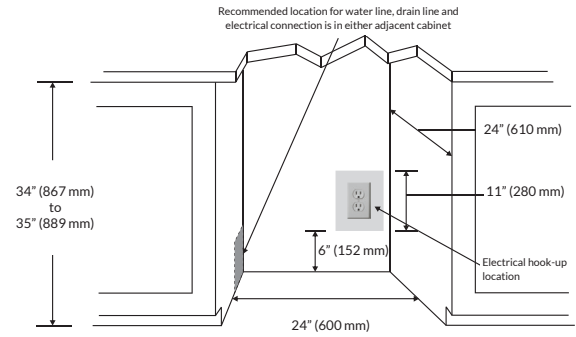
Dimensions/Weight	Detail
Product Depth	23 1/4"
Product Height	34" - 35"
Product Width	23 7/8"
Product Weight	129 lbs
Product Volume	4.6 cu ft
Shipping Dimensions	26 3/4" x 27 1/2" x 36 3/4"
Shipping Weight	157 lbs



Model	Details
Control Type	Electronic Capacitive Touch with OLED Screen
Indoor or Outdoor	Outdoor
Built-in Installation	Inset, Frameless / Overlay and Framed Cabinet Styles
Refrigerant Type	R600

Electrical	Details
Electrical Requirements	115 V / 60 Hz
Volt Range	104 V ~ 127 V
Maximum Amp Fuse	15 amp
Amps Running	0.7 amps

Approvals - Certifications	Details
ETL Residential / Commercial	Yes
ETL Sanitation	Yes
Star K	Yes



Limited Warranty

The limited warranty covers any defects in material or workmanship under normal use during the warranty period. Limited warranty covers two-year parts and labor and five-year sealed system parts. During the warranty period, Sapphire will repair or replace, at no charge, products or parts of a product that proves defective because of improper material or workmanship, under normal use and maintenance. See complete warranty for details.

Contact Us

Customer Service: 1.866.754.6672 | Hours: 9am - 5pm

SAPPHIRE Appliances | The Legacy Companies
 3355 Enterprise Avenue, Suite 160, Weston, FL 33331
 email@sapphireappliances.com | SapphireAppliances.com

All specifications are subject to change without notice.