



15" Marvel Outdoor Clear Ice Machine

Model # MO15CL & MO15CP

Performance

- CSA certified for outdoor use to withstand elements like rain, corrosion, high humidity and heat
- Tested to perform in temperatures as high as 115° F
- Produces up to 39 lbs. of clear, pure ice in 24 hours
- New energy-saving options conserve water and energy
- Stainless steel ice cutter for consistent $\frac{3}{4}$ " cube size and shape
- Sound-buffering ice deflector greatly reduces cube impact noise
- Thermal-efficient insulated cabinet ensures optimum energy efficiency and cooling performance

Storage Capabilities

- Stores 35 lbs of clear ice
- Ice scoop included

Touchpad Controls

- Marvel Intuit™ Integrated Controls feature all-new settings for ultimate programmability
- Eco Ice™ mode moderates ice production to conservative usage, saving 25% water (91 gallons monthly) and 25% energy (\$45 annually)**
- Delay Start/Vacation option automatically postpones operation by 1/4/6/8 (hour or day) intervals, preventing wasteful water use
- Audible alerts and programmed cleaning reminders

Aesthetics

- New Illuminice™ feature projects arctic white LED light through clear ice for a dazzling illumination effect
- High-efficiency, low-maintenance condenser system designed for built-in zero clearance installations
- Corrosion-resistant stainless steel exterior, sturdy pro-style handle and rugged stainless steel toe kick adjustable to 4"
- Finish: stainless steel

Additional Convenience

- Close Door Assist System™ gently and automatically draws door to a close, ensuring door is never accidentally left ajar
- Available with or without factory-installed drain pump
- Stainless steel toe kick adjustable to 4" with leveling legs
- 1-year parts and labor warranty, 5-year sealed system parts warranty

**Based on national average of \$0.12 kWh at 100% operation
 Note: Ice production rate optimal when ambient air and water temperature is at or below 72° F.



Finish



Stainless Steel

Ordering Options

GRAVITY DRAIN APPLICATIONS

Solid Stainless Steel Door, Right Hinge, Stainless Professional Handle	MO15CLS2RS
Solid Stainless Steel Door, Left Hinge, Stainless Professional Handle	MO15CLS2LS

FACTORY INSTALLED DRAIN PUMP

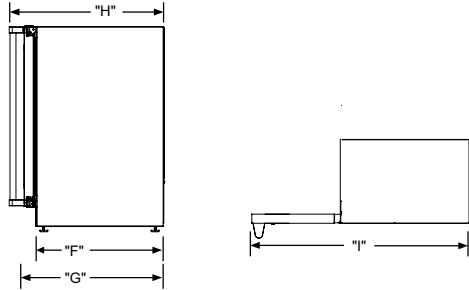
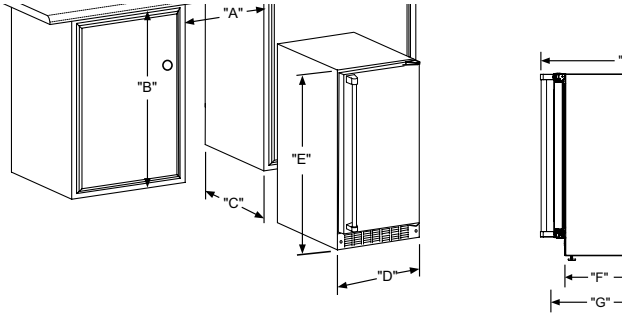
Solid Stainless Steel Door, Right Hinge, Stainless Professional Handle	MO15CPS2RS
Solid Stainless Steel Door, Left Hinge, Stainless Professional Handle	MO15CPS2LS

*Easy installation! No panel kit required. Consult your cabinet maker for overlay panel and handle options.



Certified for Outdoor Use

Product Dimensions



Rough-In Dimensions

A. Rough-In Width	15"
B. Rough-In Height	34" to 35"
C. Rough-In Depth	24"

Product Dimensions

D. Width	14 7/8"
E. Height	33 3/4" to 35 3/4"
F. Depth	21 1/2"
G. Depth to Front of Door	23 5/8"
H. Depth to Handle	26 1/8"
I. Depth with door at 90°	37 3/8"

Product Features

Interior Cabinet Finish	Black
Capacity	Up to 35 lbs of clear ice
Shelving System	NA
Shelf Fronts	NA
Other Storage	Ice Bin
Interior Lighting	Illuminice™ Lighting
Toe Grill Finish	Stainless Steel
Hinge	Classic Hinge
Handle	Professional
Control Type	Intuit™
Temperature Range	NA
Lock	No
Electrical Requirements	115V / 60Hz / 15A
Length of Power Cord	6'
Shipping Weight	125 lbs
Finishes	Stainless Steel
Vacation Mode	Yes
Agency Approvals	CSA

For comprehensive installation instructions, please visit www.marvelrefrigeration.com to access the owner's guide.