

DW24XT

DISHWASHER 24" STAINLESS PANEL XT MODEL



Super-quiet performance 45dB(A)

Flexible and height-adjustable third rack with dedicated shower sprayer. Ideal for flatware, silverware and smaller items. Each side of the upper rack can be folded to accommodate extra-tall items in the middle drawer

6 washing programs, 5 washing options and turbo drying ensure a customizable and always effective wash program

Power zone: Additional high-pressure sprayer arm for hard to remove deposits

Sani-Boost option elevates washing temperature to 158F for perfect and sanitized cleaning

2 LED surround lights to facilitate loading and unloading

Dual pump system with food disposer and triple-stage filter ensure maximum removal of dirt residues from washing water

Energy Star compliant

Choose Professional, Master or Heritage Series handle kit to match your cooking appliances

PRODUCT FEATURES

Style	Stainless steel panel installed
Interior finish	Stainless steel tub
User interface	Concealed electronic touch interface
Sound insulation	45 db(A)
Racks	3 with height-adjustable middle rack and flexible top drawer
Place settings	16
Wash cycles	6 – Normal, Heavy, Auto, Quick, Rinse, ECO
Wash options	5 – Power Zone, Extra Dry, Sani Boost, Hi Temp, Delay Start
Drying system	Turbo drying
Filter	Triple-stage filter
Food disposer	Yes
Sprayer arms	3 + power zone sprayer
Lighting	LED

TECHNICAL SPECIFICATIONS

Voltage, Frequency, Amps	120V 60Hz - 8.5 Amps 975W
EnergyStar	Yes 237 kWh/yr
Power connection	Direct wiring, no cord
Water connection	Min. 3/8" copper pipe with accessible shut-off valve
Certification	CSA
Warranty	2 years parts & labor

ACCESSORIES

PROHK24DW	Handle kit 24" dishwasher XV/XT PROFESSIONAL SERIES
MASHK24DW	Handle kit 24" dishwasher XV/XT MASTER SERIES
HERHK24DW	Handle kit 24" dishwasher XV/XT HERITAGE SERIES



DW24XT+PROHK24DW



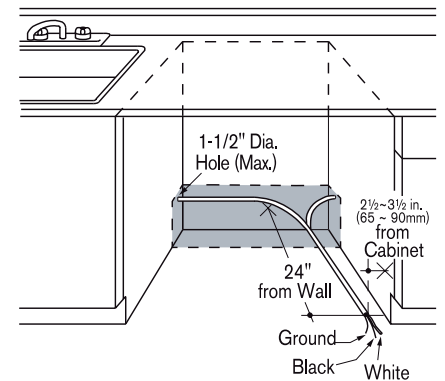
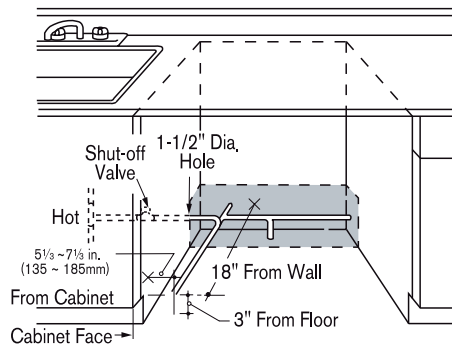
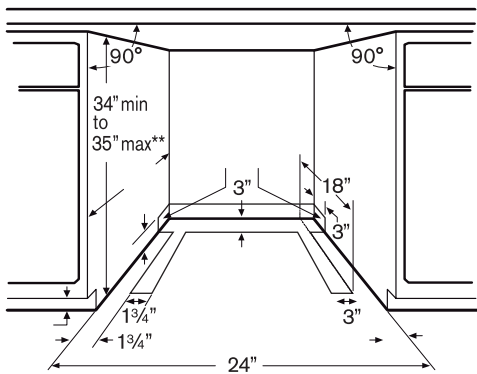
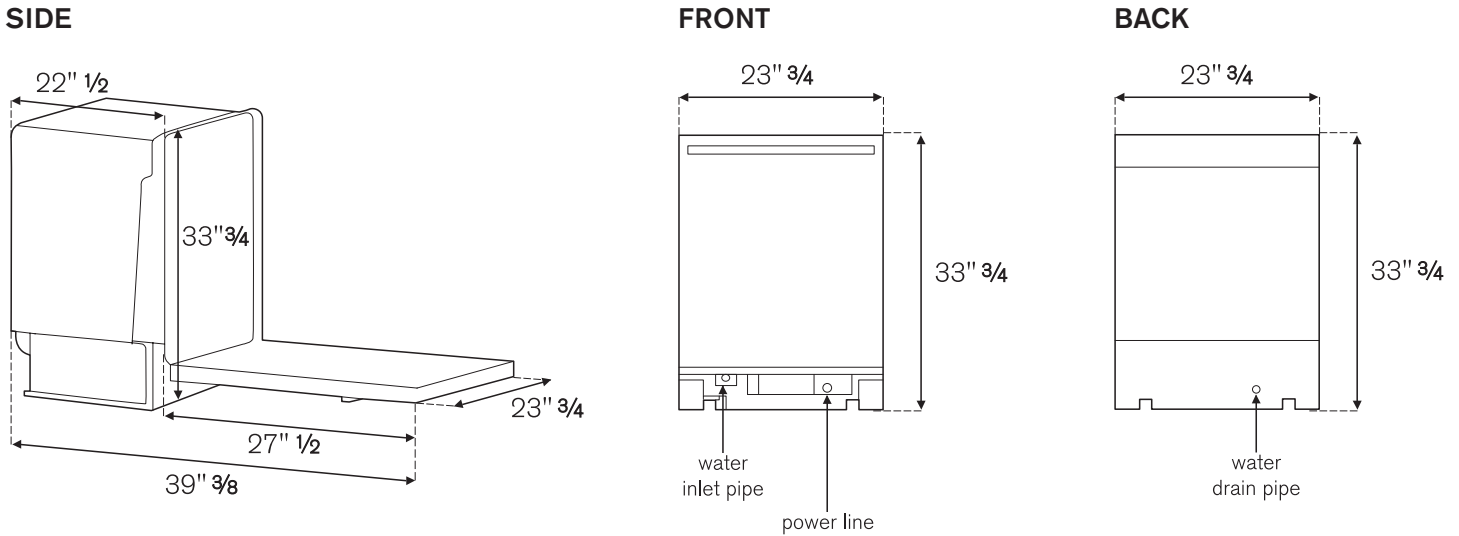
DW24XT+MASHK24DW



DW24XT+HERHK24DW

DW24XT

DISHWASHER 24" STAINLESS PANEL
XT MODEL

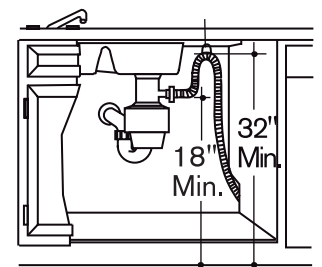
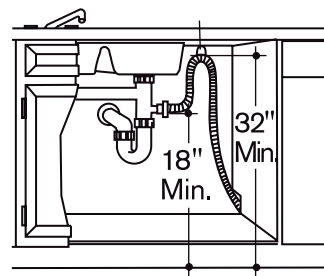
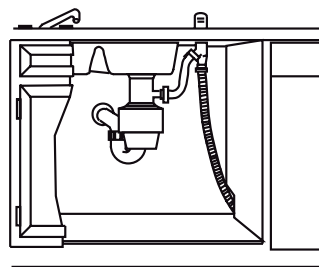
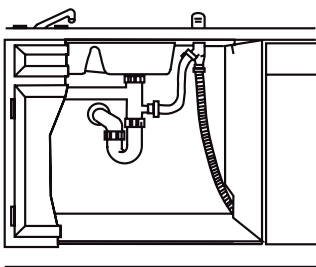


WATER LINES:

Install water lines on either side, rear, or floor of shaded area. Line may pass through same hole as electrical cable and drain hose. If power cord with plug is used, water line **MUST NOT** pass through power cord hole.

ELECTRICAL LINES

Install electrical line entry on either side, rear, or floor of shaded area. Must be connected to individual properly grounded circuit (with 15 - 20 A circuit breaker). Line must have 2 wires with a ground



DRAIN REQUIREMENTS:

Follow local codes & ordinances. Drain hose cannot exceed 10' distance to drain line.

AIR GAP / HIGH DRAIN LOOP:

Install a waste line with an air gap (not supplied) or high drain loop to prevent backflow. High drain loop must be min 32" above floor. Air gap must be used if waste tee or disposer connection is less than 18" above floor.