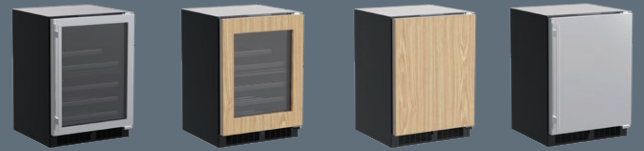


## Fresh Living Tip

If you enjoy having a wide variety of beverages at hand, this model is perfect for you. The upper zone stores as many as 112 12-oz cans or 64 longneck bottles. And the lower zone holds 16 wine bottles on two smooth-glide wine racks.

## FINISH OPTIONS



# 24" Marvel Dual Zone Wine and Beverage Center

MLBD224

### Storage Adaptability

- 5.2 total cu. ft.
- 1.85 cu. ft. upper zone can hold (112) 12-oz cans, (64) longneck bottles or an additional 6 wine bottles
- 3-in-1 Split Convertible Shelf converts to 3 or 6-bottle wine rack
- 3.27 cu. ft. lower zone stores 16 bottles of wine on (2) 8-bottle smooth-glide wine racks
- 3/4 extension smooth-glide ball-bearing wine rack system
- Heavy-gauge wire wine racks safely cradle each wine bottle and prevent jarring
- Vibration Neutralization System protects wine from agitation, allowing it to come to full maturation

### Cooling Performance

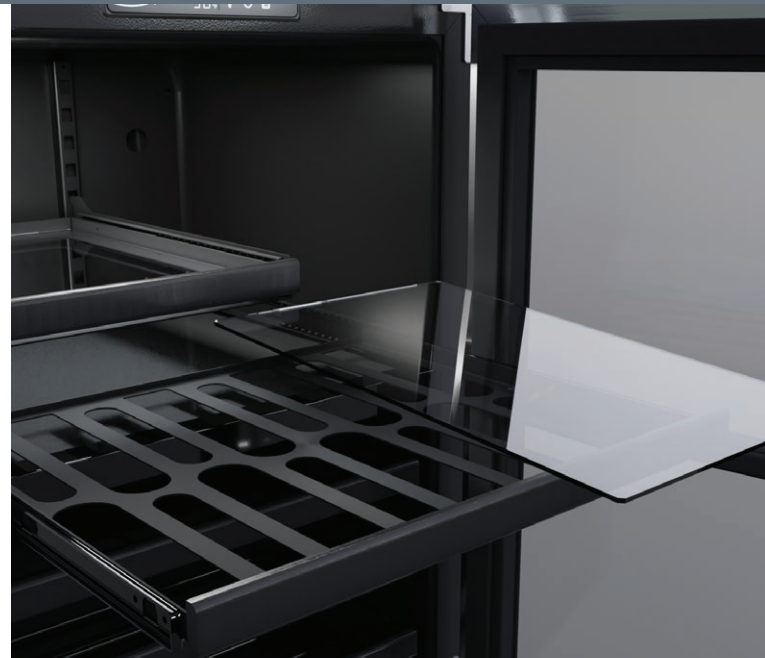
- Two independently controlled temperature zones offer dual options for wine and beverage storage
- Dynamic cooling technology delivers rapid cool down, frost-free operation and precise temperature stability
- Proprietary shelving design allows for cool air to circulate throughout each compartment for temperature consistency from top to bottom
- Thermal-efficient cabinet insulates cooling environment and conserves energy while maximizing capacity
- Argon-filled, UV-resistant tinted dual pane glass door protects contents from damaging ultraviolet light and helps conserve energy
- Sound-buffering design

### Convenient Controls

- Multifunction controls allow you to select a precise temperature for each zone
- Features easy-to-use settings and options

### Warranty

- 1-year parts and labor warranty and 5-year sealed system parts warranty



*The upper zone features a glide-out 3-in-1 Convertible Shelf that can store food and beverages or convert to additional wine rack. The lower zone creates the ideal preservation environment for wine and glide-out shelving brings your collection to you without jarring bottles.*

### Fit & Finish

- Elegant midnight black interior and arctic white LED interior lighting
- Solid black shelf fronts
- Reversible door allows for right or left swing for adaptable installation
- Black toe kick adjustable to 4" with leveling legs

### DOOR STYLE

### MODEL NUMBER

Stainless Steel Frame Glass

MLBD224-SG01A

Panel Ready Frame Glass

MLBD224-IG01A

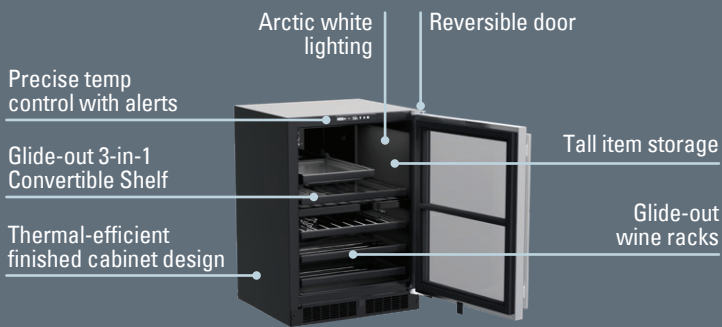
Solid Panel Ready

MLBD224-IS01A

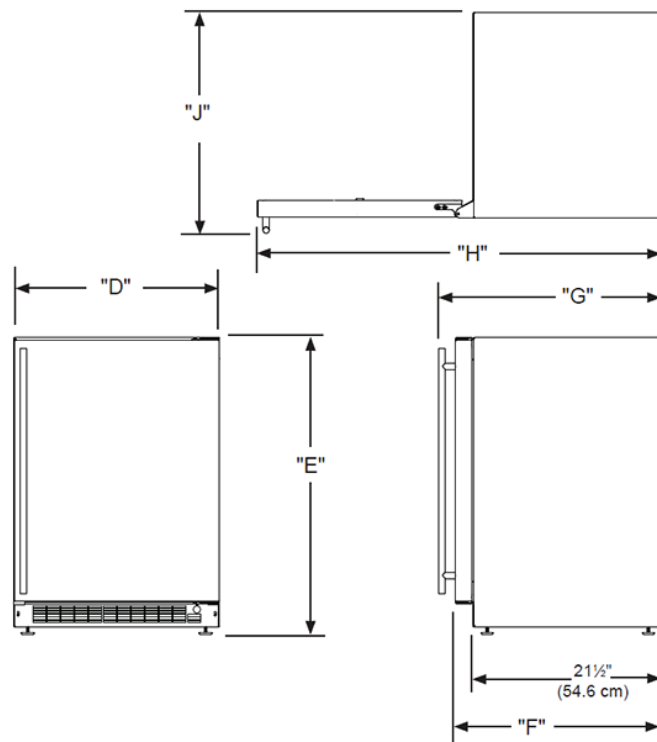
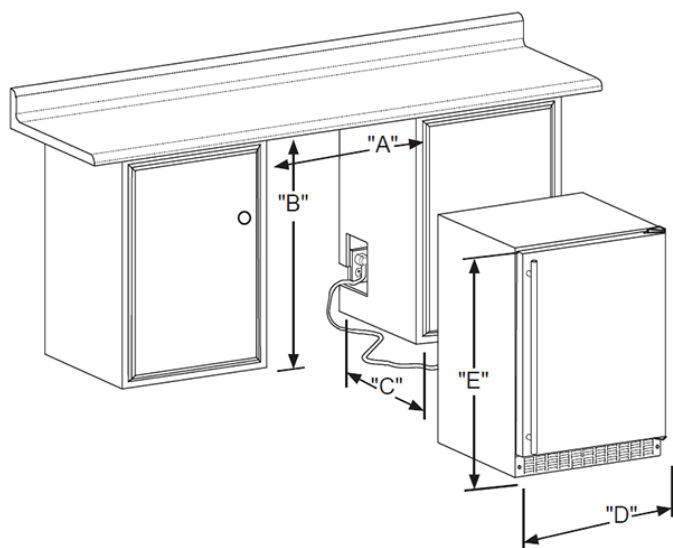
Solid Stainless Steel

MLBD224-SS01A





H: 33 3/4" W: 23 7/8" D: 26 7/32" (with handle)



**Rough In Dimensions\***

"A"	"B"	"C"
24"	34-1/4" to 35-1/4"	24"
(61 CM)	(87 CM to 89.5 CM)	(61 CM)

**Cabinet Dimensions\***

"D"	"E"	"F"	"G"	"H"	"J"
23-7/8"	33-5/8" TO 34-5/8"	23-5/8"*	26-1/8"*	47-3/4"*	26-1/2"*
(60.7 CM)	(85.4 CM TO 87.9 CM)	(60 CM)	(66.3 CM)	(146.6 CM)	(67.3 CM)

\*Stainless steel model dimensions only. For panel-ready models, see the owner's guide online at [marvelrefrigeration.com](http://marvelrefrigeration.com).

<b>Capacity</b>	5.2 CU. FT.
<b>Control Type</b>	Electronic
<b>Sabbath Mode</b>	Yes
<b>Temperature Range</b>	Upper Zone: 38°F to 65°F, Lower Zone: 33°F to 45°F
<b>Handle Style</b>	Slim (handle not included on panel-ready models)
<b>Hinge Type</b>	Reversible
<b>Interior Lighting</b>	White LED
<b>Shelving System</b>	Smooth Ball-Bearing Glides, Cantilevered (Upper Shelf Only)
<b>Toe Grille Finish</b>	Black

<b>Lock</b>	No
<b>Electrical Requirements</b>	115V / 60 Hz / 15A
<b>Cord Length</b>	6 FT.
<b>Shipping Dimensions</b>	28" W x 31" D x 37" H
<b>Shipping Weight</b>	160 LBS
<b>Agency Approval</b>	UL
<b>Refrigerant Type</b>	R600a

For comprehensive installation instructions, including panel overlay details, please visit [marvelrefrigeration.com](http://marvelrefrigeration.com) to access the owner's guide.

