

# Frigidaire



## Over-The-Range Microwave

1.8 Cu. Ft. Over-The-Range Microwave

FFMV1845VS

Available Colors : Stainless Steel

Version : 02/21

### Cooking Controls

Air Fry	No
Child Lock	Yes
Clock	Yes
Keep Warm	No
Kitchen Timer	Yes
Sound On / Off	Yes
Turn Table On / Off	No

### Cooking Options

Auto Cook	No
Convection	No
Defrost Time	Yes
Defrost Weight	Yes
Number of Power Levels	10
Sensor Cook	No

### One Touch Options

Add 10 Seconds	Yes
Add 30 Seconds	Yes
Beverage	Yes
Popcorn	Yes
Soften / Melt	Yes

### Ventilation System

Ductless Vent	Yes
Exhaust Fan Speeds	2
Minimum Air Flow Capacity	105 CFM
Maximum Air Flow Capacity	300 CFM
Charcoal Filter Included	Yes

### Controls

External Control Lock	No
-----------------------	----

### Exterior

Door Swing	Side-Swing Door
------------	-----------------

Handle Color	Stainless Steel
Handle Material	Stainless Steel

### Internal Specifications

Interior Color	White
Interior Light Type	Incandescent
Interior Light Wattage	30 Watts
Rack	No
Turntable Diameter	12 8/10"
Turntable Material	Glass

### Light System

Number of Lights	1
Number of Light Settings	2

### Dimensions and Volume

Height	16 15/16"
Width	29 15/16"
Depth	15 1/2"
Depth With Door 90° Open	38 3/4"
Microwave Interior Height	10 9/16"
Microwave Interior Width	22 3/16"
Microwave Interior Depth	13 13/16"
Microwave Capacity	1.8 Cu. Ft.

### Electrical Specifications

Voltage Rating	120 V
----------------	-------

### Installation

Power Supply Connection Location	Top Center
----------------------------------	------------

### General Specifications

Product Weight	67 lbs
Prop 65 Label	Yes
Sound Level	60 dBA
Warranty - Labor	1 Year

Note: For planning purposes only. Always consult local and national electric, gas and plumbing codes.

Refer to Product Installation Guide for detailed installation instructions on the web at [frigidaire.com](http://frigidaire.com) / [frigidaire.ca](http://frigidaire.ca)

Specifications subject to change. Accessories information available on the web at [frigidaire.com](http://frigidaire.com) / [frigidaire.ca](http://frigidaire.ca)

USA • 10200 David Taylor Drive • Charlotte, NC 28262 • 1-800-FRIGIDAIRE • [frigidaire.com](http://frigidaire.com)

CANADA • 5855 Terry Fox Way • Mississauga, ON L5V 3E4 • 1-800-265-8352 • [frigidaire.ca](http://frigidaire.ca)

# Frigidaire

1.8 Cu. Ft. Over-The-Range Microwave

FFMV1845VS

Version : 02/21

Warranty - Parts

1 Year

## Safety Certifications & Approvals

UL Listed

Yes

Note: For planning purposes only. Always consult local and national electric, gas and plumbing codes.

Refer to Product Installation Guide for detailed installation instructions on the web at [frigidaire.com](http://frigidaire.com) / [frigidaire.ca](http://frigidaire.ca)

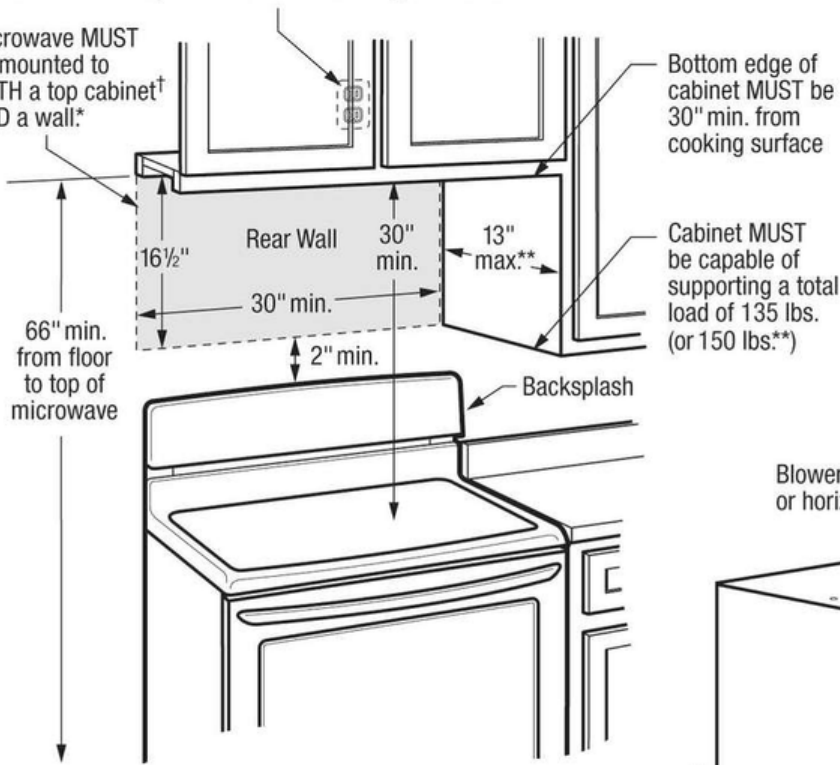
Specifications subject to change. Accessories information available on the web at [frigidaire.com](http://frigidaire.com) / [frigidaire.ca](http://frigidaire.ca)

USA • 10200 David Taylor Drive • Charlotte, NC 28262 • 1-800-FRIGIDAIRE • [frigidaire.com](http://frigidaire.com)

CANADA • 5855 Terry Fox Way • Mississauga, ON L5V 3E4 • 1-800-265-8352 • [frigidaire.ca](http://frigidaire.ca)

Locate 120V/60Hz grounded outlet inside upper cabinet

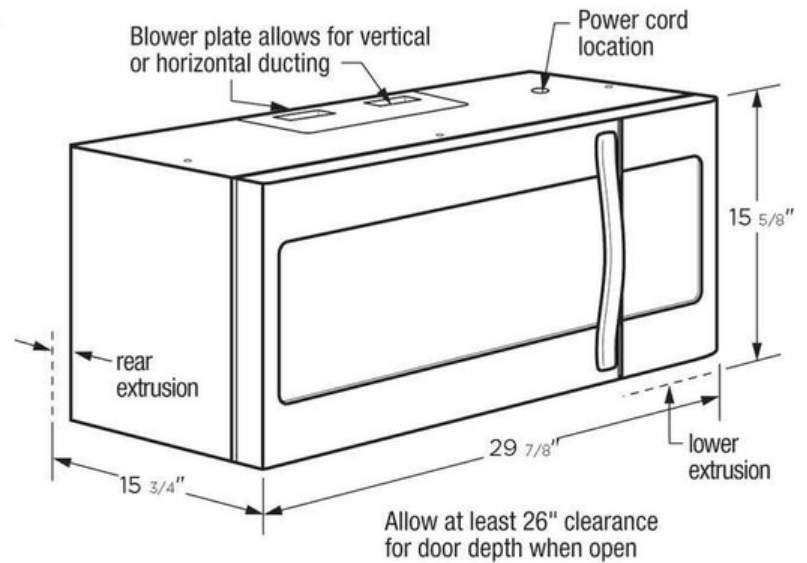
Microwave MUST be mounted to BOTH a top cabinet† AND a wall.\*



†When installing beneath smooth, flat cabinets, refer to cabinet template for detailed power cord clearance instructions

\*Can NOT be installed in island or peninsula cabinet arrangements

\*\*If cabinet depth (including doors) is deeper than 13"; unit MUST be spaced out from rear wall using adequate materials (supporting 150 lbs.) to allow proper top vent air exhaust/intake



Note: For planning purposes only. Always consult local and national electric, gas and plumbing codes.

Refer to Product Installation Guide for detailed installation instructions on the web at [frigidaire.com](http://frigidaire.com) / [frigidaire.ca](http://frigidaire.ca)

Specifications subject to change. Accessories information available on the web at [frigidaire.com](http://frigidaire.com) / [frigidaire.ca](http://frigidaire.ca)