



SEDONA BY LYNX™ SERIES

36" SEDONA BUILT-IN GRILL

WITH 1 PROSEAR INFRARED BURNER AND 2 STAINLESS STEEL BURNERS (L600PS)



OPEN VIEW

L600PS PRODUCT OVERVIEW

- Precise power—one ProSear™ Infrared Burner and two Stainless Steel Burners combining to provide up to 69,000 BTU
- Consistent assurance—direct spark ignition with battery backup
- Perfect clarity—dual halogen grill surface lights
- Quick visibility—temperature gauge
- Easy opening—Lynx Hood Assist
- Steadfast durability—heavy-duty welded construction eliminates gaps where grease can collect
- Ample capacity—891 square inches of cooking surface (618 primary, 273 secondary)
- Beautiful illumination—blue-lit control knobs
- Steady performance—heat-stabilizing design
- Smooth opening—fluid rotation handle
- Premier platform—stainless steel grilling grates



FOR A COMPLIMENTARY CUSTOM DESIGN FOR YOUR OUTDOOR KITCHEN, VISIT LYNXGRILLS.COM/DESIGN-CENTER

L600PS PRODUCT FEATURES

The Sedona by Lynx™ Series is always evolving to be the best at something new. That philosophy is reflected in its features. We've refined these features to give you a grilling experience that's both simple and stunning.



PROSEAR™ INFRARED BURNER



STAINLESS STEEL BURNERS



CERAMIC RADIANT BRIQUETTES



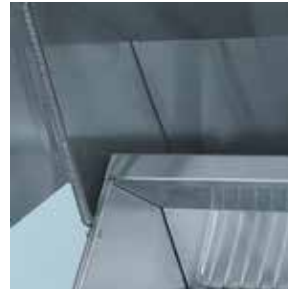
SEAMLESS WELDED CONSTRUCTION



EXPANSIVE GRILLING SURFACE



SPARK IGNITION SYSTEM



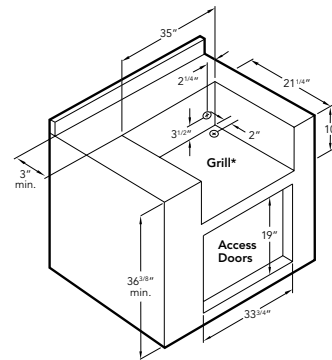
LYNX HOOD ASSIST



INTEGRATED ILLUMINATION

FOR MORE INFORMATION ON SEDONA BY LYNX™ SERIES PRODUCT FEATURES, PLEASE VISIT LYNXGRILLS.COM

L600 ISLAND PREPARATION



* 2" round hole must be located at rear of grill cutout. 120V GFI outlet must be located within 6' of the 2" hole.

PRODUCT SPECIFICATIONS & INSTALLATION



CUT-OUT DIMENSIONS: WIDTH: 35" / HEIGHT: 10" / DEPTH: 21.25"



SHIPPING DIMENSIONS: WIDTH 33.5" / HEIGHT 41" / DEPTH 30"
SHIPPING WEIGHT: 180 POUNDS



GAS REQUIREMENTS: SHIPS IN LIQUID PROPANE OR NATURAL GAS FROM FACTORY

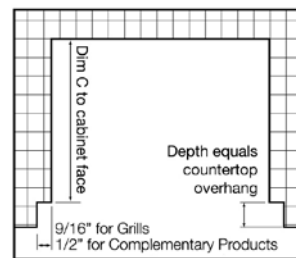


ELECTRICAL REQUIREMENTS: INSTALLATION REQUIRES AN OUTDOOR 120V/15GFI ELECTRICAL OUTLET ADJACENT TO PRODUCT

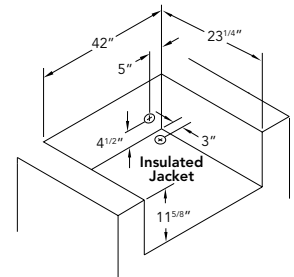


COOKING CONFIGURATION: BUILT-IN GRILL WITH 1 PROSEAR INFRARED BURNER AND 1 STAINLESS STEEL BURNER

COUNTERTOP NOTCH DETAIL



INSULATING JACKET



Note: Insulating jacket required for all grills installed into a combustible enclosure. For natural gas grills, Lynx recommends using 3/4" gas lines. Side burners may be rotated 90 degrees. See installation manuals for details.

PRODUCT TECHNICAL SPECIFICATIONS