



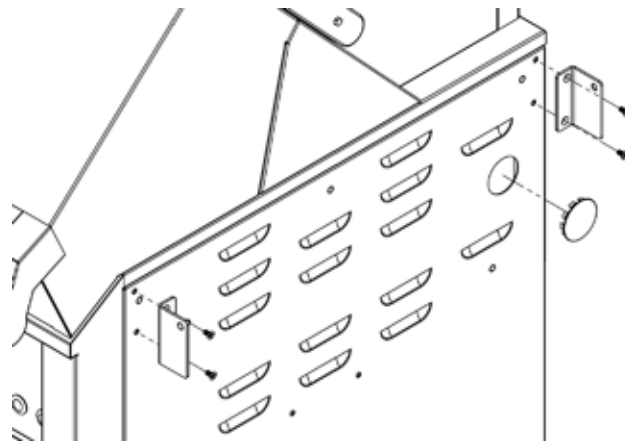
IMPORTANT - READ ALL INSTRUCTIONS BEFORE YOU BEGIN

Some parts have sharp edges. Care must be taken when handling the various components to avoid personal injury. Wear gloves when handling.

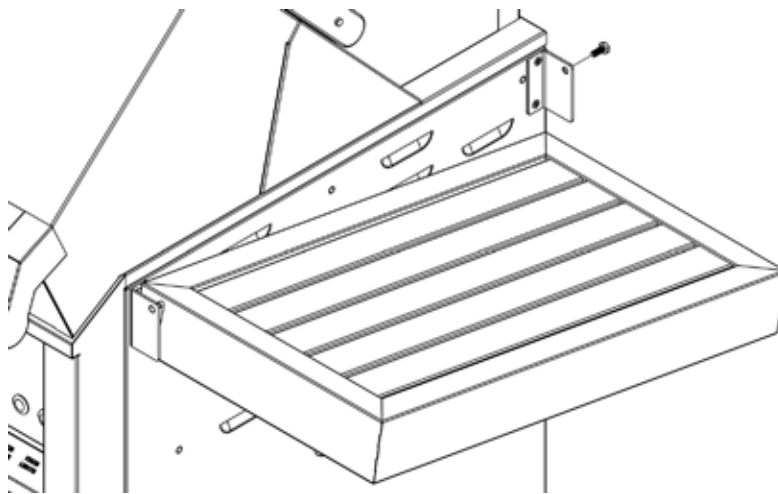
TOOLS REQUIRED:

- Work gloves
- Phillips screwdriver
- 7/16" wrench or socket wrench

1. Engage the brakes on the casters to prevent movement of the cart.
2. Your side shelves come with four brackets which are labeled for each location on the cart (FR = Front Right, etc.) Install the brackets as shown below in their appropriate locations using the supplied Phillips screws.



3. Install the front of the shelf on the front pin, then tilt the rear of the shelf up to meet the threaded hole at the rear bracket and install the hex bolt with a 7/16" wrench or socket wrench.



4. Repeat this procedure for the other side of the cart. Shelves are ready for use.