

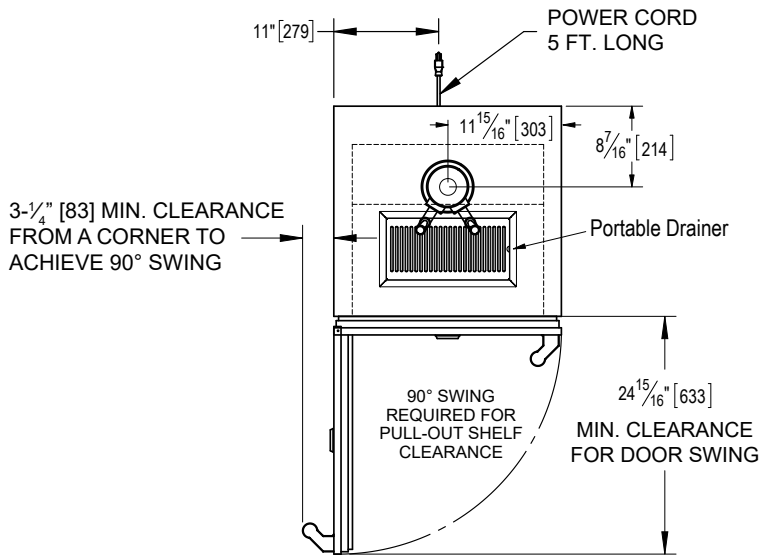
# CABINET INSTALLATION *(continued)*



To assure maximum performance, fresh air must be allowed to circulate through the machinery compartment. Do not place anything in front of the unit that would obstruct air flow at these front grilles. Do not place the unit in an unventilated small room.

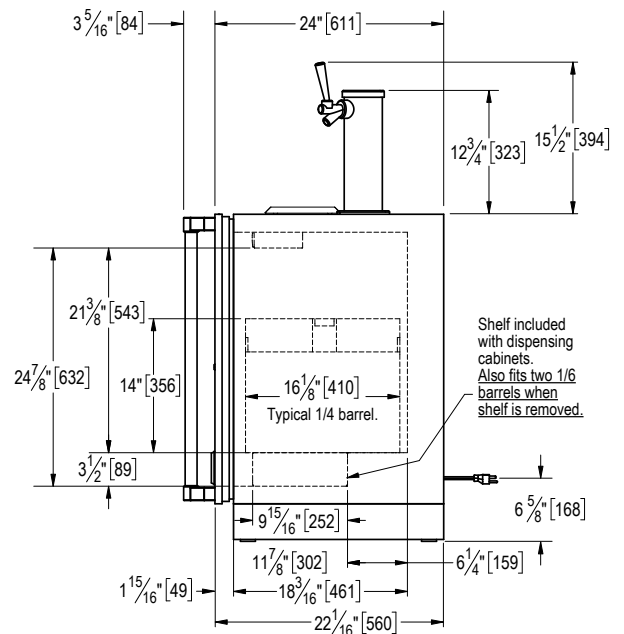
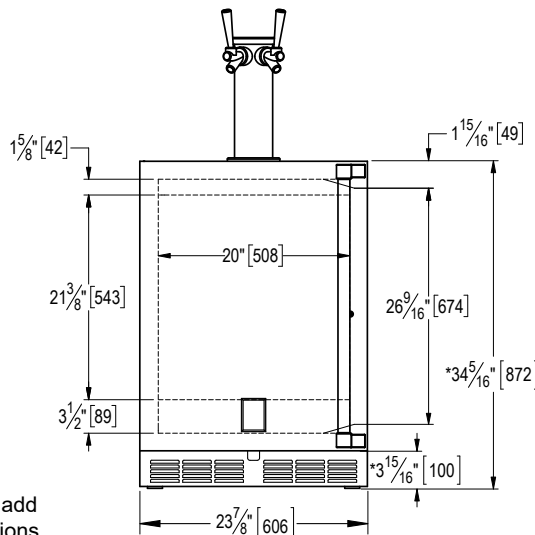
**NOTICE** Cabinet should be leveled front to back, then side to side.

1. Make sure the space opening is correctly sized for the unit. See typical appliance dimensions below, and the chart below for finished rough opening requirements:



## TYPICAL APPLIANCE DIMENSIONS

**CUTOUT DIMENSIONS:**  
**34-3/8" H - 24" W - 24" D**  
**[873] H - [609] W - [609] D**



\* - Leg levelers can add 3/4" to these dimensions when fully extended.

HEIGHT	WIDTH	DEPTH
34-3/8" [87.3 cm] min.	24" [61 cm]	24" [61 cm]
35-1/2" [90.2 cm] max.		

2. Check that the following are level and square:

- Front and interior opening
- Installation opening and floor surface
- Countertop bottom front edge

**NOTE:** For a door to open properly, the door must open a minimum of 90°. Use a minimum 3" [7.6 cm] filler in corner installations to assure a full 90° opening. Allow 25" [64 cm] clearance in front of unit for full door swing and shelf/drawer pull out.

**NOTE:** The floor under the unit must be at the same level as the surrounding finished floor.