



## BUILT-IN ALL-REFRIGERATORS *RÉFRIGÉRATEURS ENCASTRÉS*

**Models / Modèles:** FF6WBI series (ACCUCOLD®)  
FF7WBI/AL75 series (ACCUCOLD®)  
SCR600GLBI series (ACCUCOLD®)  
SCR600BGLBI series (SUMMIT Commercial)



### Instruction Manual / *Mode d'emploi*

**BEFORE USE, PLEASE READ AND FOLLOW ALL SAFETY RULES AND OPERATING INSTRUCTIONS**

***AVANT L'EMPLOI, LIRE ET SUIVRE LES RÈGLES DE SÉCURITÉ  
ET INSTRUCTIONS D'UTILISATION***

Write Model and Serial Numbers here:  
*Écrire numéros de modèle et de série ici:*

Model/Modèle: \_\_\_\_\_

Serial No./Série: \_\_\_\_\_

**FELIX STORCH, INC.**  
770 Garrison Avenue  
Bronx, NY 10474  
[www.summitappliance.com](http://www.summitappliance.com)

# IMPORTANT SAFEGUARDS

Your safety and the safety of others are very important.

We have provided many important safety messages in this manual and on your appliance. Always read and obey all safety messages.



This is the Safety Alert Symbol. This symbol alerts you to potential hazards that can kill or injure you and others. All safety messages will follow the Safety Alert Symbol and either the words "DANGER" or "WARNING".



DANGER means that failure to heed this safety statement may result in severe personal injury or death.



WARNING means that failure to heed this safety statement may result in extensive product damage, serious personal injury, or death.

Safety messages will alert you to what the potential hazard is, tell you how to reduce the chance of injury, and let you know what can happen if the instructions are not followed.

---



Before the refrigerator is used, it must be properly positioned and installed as described in this manual, so read the manual carefully. To reduce the risk of fire, electrical shock or injury when using the appliance, follow basic precautions, including the following:



Plug into a grounded 3-prong outlet. Do not remove grounding prong, do not use an adapter, and do not use an extension cord.

It is recommended that a separate circuit, serving only your refrigerator, be provided. Use receptacles that cannot be turned off by a switch or pull chain.

Never clean appliance parts with flammable fluids. These fumes can create a fire hazard or explosion. And do not store or use gasoline or other flammable vapors and liquids in the vicinity of this or any other appliance. The fumes can create a fire hazard or explosion.

Before proceeding with cleaning and maintenance operations, make sure the power line of the unit is disconnected.

Do not connect or disconnect the electric plug when your hands are wet.

Unplug the appliance or disconnect the power before cleaning or servicing. Failure to do so can result in electrical shock or death.

Do not attempt to repair or replace any part of your refrigerator unless it is specifically recommended in this material. All other servicing should be referred to a qualified technician.



Use two or more people to move and install the refrigerator. Failure to do so can result in back or other injury.

To ensure proper ventilation for your appliance, the front of the unit must be completely unobstructed. Choose a well-ventilated area with temperatures above 60°F (16°C) and below 90°F (32°C). This unit must be installed in an area protected from the elements, such as wind, rain, water spray or drips.

The appliance should not be located next to ovens, radiators or other sources of high heat.

The appliance must be installed with all electrical connections in accordance with state and local codes. A standard electrical supply (115V AC only, 60 Hz), properly grounded in accordance with the National Electrical Code and local codes and ordinances, is required.

Do not kink or pinch the power supply cord of the appliance.

The fuse (or circuit breaker) size should be 15 amperes.

It is important for the refrigerator to be leveled in order to work properly. You may need to make several adjustments to level it.

Never allow children to operate, play with or crawl inside the refrigerator.

Do not use solvent-based cleaning agents or abrasives on the interior. These cleaners may damage or discolor the interior.

Do not use this apparatus for other than its intended purpose.

*THE FF6WBI AND FF7WBI SERIES MODELS, AS WELL AS MODEL SCR600LBI, ARE DESIGNED FOR MEDICAL OR PHARMACEUTICAL USE ONLY. THEY ARE NOT INTENDED FOR USE AS HOUSEHOLD REFRIGERATORS. MODEL SCR600BLBI IS DESIGNED AS A COMMERCIAL BEVERAGE MERCHANDISER.*

---



### *Risk of child entrapment*

Child entrapment and suffocation are not problems of the past. Junked or abandoned refrigerators and freezers are still dangerous, even if they will “just sit in the garage a few days.”

**Before you throw away your old refrigerator or freezer:** Take off the doors. Leave the shelves or drawers in place so that children may not easily climb inside.

Never allow children to operate, play with, or crawl inside the refrigerator/freezer.

*THIS APPLIANCE IS NOT INTENDED FOR USE BY YOUNG CHILDREN OR INFIRM PERSONS UNLESS THEY HAVE BEEN ADEQUATELY SUPERVISED BY A RESPONSIBLE PERSON TO ENSURE THAT THEY CAN USE THE APPLIANCE SAFELY. YOUNG CHILDREN SHOULD BE SUPERVISED TO ENSURE THAT THEY DO NOT PLAY WITH THE APPLIANCE.*

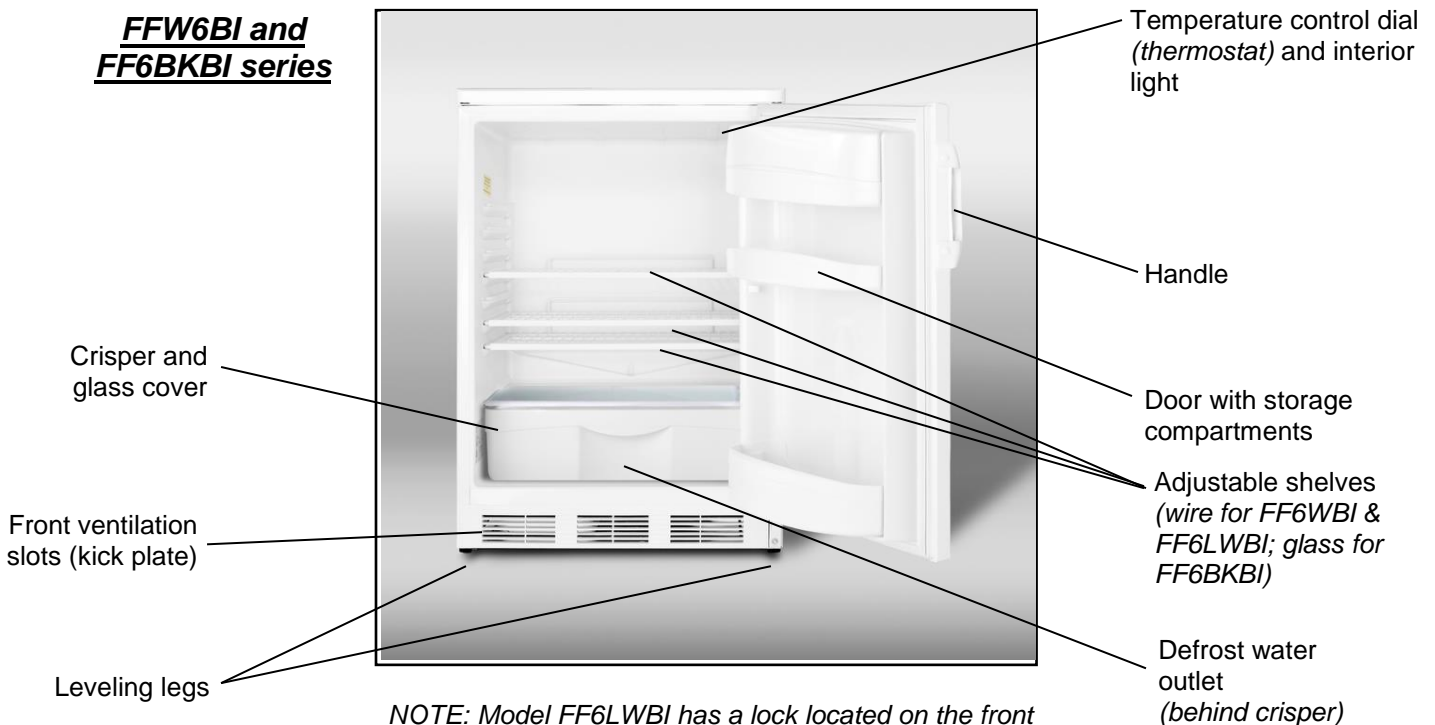
**- SAVE THESE INSTRUCTIONS -**

## Table of Contents

<b>Important Safeguards</b> .....	<b>2 - 3</b>
<b>Location of Parts</b> .....	<b>4 - 5</b>
<b>Technical Information</b> .....	<b>6</b>
<b>Installation Instructions</b> .....	<b>7 - 9</b>
Before Using Your Appliance .....	7
Installing the Refrigerator .....	7
Electrical Connection / Extension Cord .....	7 - 8
Reversing the Door Swing .....	8 - 9
Door Handle Installation .....	9
<b>Operating Your Refrigerator</b> .....	<b>10</b>
Temperature Control	
Defrosting Your Appliance	
<b>Care and Maintenance</b> .....	<b>11</b>
Cleaning Your Appliance / Power Failure / Vacation Time / Moving your Appliance / Energy-Saving Tips	
<b>Troubleshooting</b> .....	<b>12</b>
<b>Limited Warranty</b> .....	<b>13</b>
<b>French version of this manual</b> .....	<b>14 - 28</b>

## Location of Parts

### **FFW6BI and FF6BKBI series**



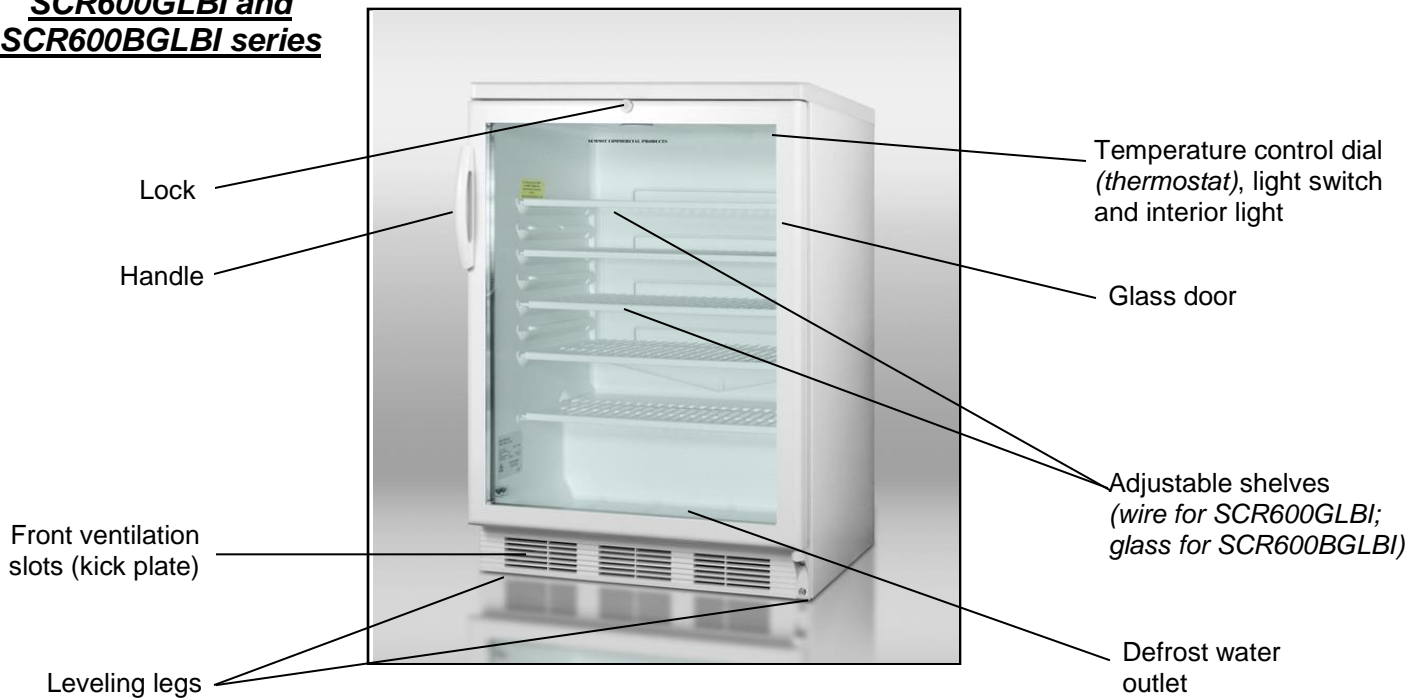
*NOTE: Model FF6LWBI has a lock located on the front of the door, near the top center.*

**FF7WBI and  
FF7LBLKBI series**



*NOTE: Lock on models FF7LWBI and FF7LBLKBI is located on the front of the door, near the top center.*

**SCR600GLBI and  
SCR600BGLBI series**



## Technical Information

<b>Model Numbers and Descriptions</b>	FF6WBI (white with wire shelves and no lock; door storage) FF6LWBI (white with wire shelves and lock; door storage) FF6BKBI (black with glass shelves and no lock; door storage) FF7WBI (white with wire shelves and no lock; flat door liner) FF7LWBI (white with wire shelves and lock; flat door liner) FF7BKBI (black with glass shelves and no lock; flat door liner) FF7LBLKBI (black with glass shelves and lock; flat door liner) SCR600GLBI (white with wire shelves and lock; glass door) SCR600BGLBI (black with glass shelves and lock; glass door)
<b>Capacity</b>	5.5 cu. ft.
<b>Electrical Input</b>	115V AC/60Hz
<b>Rated Current</b>	FF6WBI, FF6LWBI, FF6BKBI: 1.4A FF7WBI, FF7LWBI, FF7BKBI: 1.4A SCR600GLBI, SCR600BGLBI: 1.8A
<b>Refrigerant</b>	FF6WBI, FF6LWBI, FF6BKBI: R600a (0.64oz) FF7WBI, FF7LWBI, FF7BKBI: R600a (0.64oz) SCR600GLBI, SCR600BGLBI: R600a (0.67oz)
<b>Installation</b>	Built-in or Freestanding
<b>Unit Dimensions (W x D x H)</b>	23.63" x 23.5" x 33.5"*

- NOTES: 1. FF6WBI and FF7WBI series models and SCR600GLBI are suitable for general purpose storage. They can also store foodstuffs at an ideal temperature. However, they are not designed for household use since they utilize an oversized commercial compressor.  
Model SCR600BGLBI is designed as a commercial beverage merchandiser.
2. Specifications are subject to change without notice.

\*Models with the suffix ADA are sized at 32" high for use in ADA compliant settings.

### **CALIFORNIA CARB/SNAP DISCLOSURE**

**This product uses eco-friendly hydrocarbon refrigerant and fully complies with California CARB regulations.**

However, we are required by California Law to provide the following disclosure statement in every product sold in California.

*"This equipment is prohibited from use in California with any refrigerants on the 'List of Prohibited Substances' for that specific end-use, in accordance with California Code of Regulations, title 17, section 95374. This disclosure statement has been reviewed and approved by Felix Storch, Inc. and Felix Storch, Inc. attests, under penalty of perjury, that these statements are true and accurate."*

This product does **not** use any refrigerants on the 'List of Prohibited Substances'"

# Installation Instructions

## Before Using Your Appliance:

Remove the exterior and interior packing.

**CAUTION:** After unpacking you **MUST** allow this appliance to stand upright for at least 2 hours to allow the lubricant and refrigerant to drain back into the compressor and stabilize. Failure to do so may adversely affect performance and the lifetime of this unit.

Remove the shelves and clean them and the interior surfaces of the unit with lukewarm water using a soft cloth.

## Installing the Refrigerator:

Place the unit on a floor that is strong enough to support the appliance when it is fully loaded. To level the unit, adjust the two leveling legs at the front.

Your appliance can be installed either free-standing, recessed or built into an enclosure. When installing as a free-standing unit, allow at least 2" (51mm) of space at the sides, top and rear of the unit to allow for proper air circulation to cool the compressor and condenser. Even when built in, the unit requires at least 2" of clearance at the back, 1/8" (3mm) at both sides and 1/16" (1.6mm) at the top. Take care that the air vents at the front of the appliance are never covered or blocked in any way.

Locate the unit away from direct sunlight and sources of heat (oven, heater, radiator, etc.). Direct sunlight may affect the acrylic coating and heat sources may increase electrical consumption. Extremely cold ambient temperatures may also affect the unit's performance.

Avoid locating the unit in moist areas. Too much moisture in the air will cause frost to form quickly on the evaporator, requiring more frequent defrosting of the interior.

Plug the unit into an exclusive, properly installed and grounded wall outlet. Do not under any circumstances cut or remove the third (ground) prong from the power cord. Any questions concerning power and/or grounding should be directed toward a certified electrician or authorized service center.

## Electrical Connection:

### **WARNING**

*Improper use of the grounded plug can result in the risk of electrical shock. If the power cord is damaged, have it replaced by the manufacturer, its service agent or similarly qualified persons in order to avoid a hazard.*

This unit should be properly grounded for your safety. The power cord of this unit is equipped with a three-prong plug which mates with a standard three-prong wall outlet to minimize the possibility of electrical shock.

Do not under any circumstances cut or remove the third ground prong from the power cord supplied. For personal safety, this appliance must be properly grounded.

This unit requires a standard 115-volt AC/60Hz electrical outlet with three-prong ground. Have the wall outlet and circuit checked by a qualified electrician to make sure the outlet is properly grounded. When a standard 2-prong wall outlet is encountered, it is your responsibility and obligation to have it replaced with a properly grounded 3-prong wall outlet.

To prevent accidental injury, the cord should be secured behind the unit and not left exposed or dangling.

The unit should always be plugged into its own individual electrical outlet which has a voltage rating that matches the rating label on the appliance. This provides the best performance and also prevents overloading house wiring circuits that could cause a fire hazard from overheated wires. Never unplug the unit by pulling on the power cord. Always grip the plug firmly and pull straight out from the receptacle. Repair or replace immediately any power cord that has become frayed or otherwise damaged. Do not use a cord that shows cracks or abrasion damage along its length or at either end. When moving the unit, be careful not to damage the power cord.

### **Extension Cord:**

Do not use an extension cord with this appliance. If the power cord is too short, have a qualified electrician or service technician install an outlet near the appliance.

### **Reversing the Door Swing (select models only):**

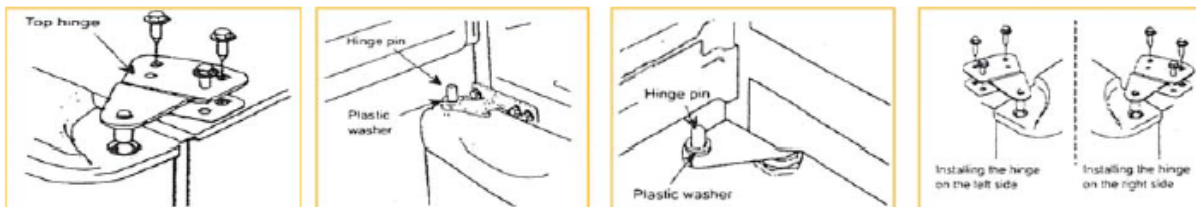
If you find the direction of opening the door of the appliance inconvenient, you can change it. Holes on the opposite side have already been prepared at the factory.

**NOTE:** Models with suffix SSTB, SSHV, CSS, and IF not user-reversible.

This appliance can be opened from either the right side or the left. By default, the door hinge is on the right side. If you prefer it on the left, please follow the appropriate instructions:

**For models FF6BKBI, FF7WBI and FF7BKBI:**

1. Take off the upper hinge cover from the door and remove the screws that hold the top hinge.
2. Lift the hinge straight up to free the hinge pin from the socket in the top of the door.
3. Lift the door up and away to free its bottom socket from the hinge pin.
4. Remove the screws to the bottom hinge.
5. Remove the decorative caps from the opposite side and plug the holes from the original side with the decorative caps.
6. Move the bottom hinge to the opposite side and tighten the screws. Use any lock washers or nuts if they were installed in the original installation.
7. Replace door onto the hinge pin on the bottom hinge. Place top hinge pin into door. Insert screws into the top hinge and tighten.



If you notice the door not hanging straight, loosen the top hinge screws, adjust the door until it is level and tighten the screws.

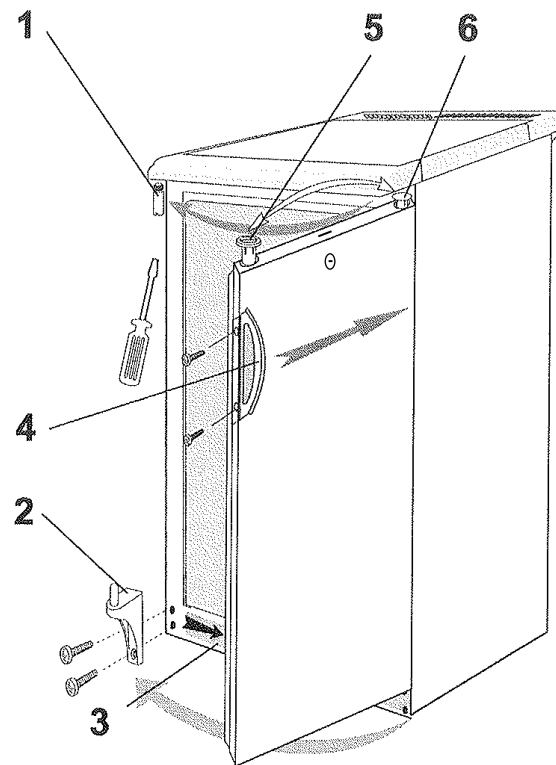


For models FF6WBI, FF6LWBI, FF7LWBI, FF7LBLKBI, SCR600GLBI and SCR600BGLBI:

NOTES: See illustration below.

All of the parts that are removed must be kept for the reinstallation of the door.

1. Unscrew the lower hinge and take off the door.
2. Push the kick plate to the right in the new position.
3. Undo the upper hinge fastener and fix it to the opposite side of the housing, where you have already removed and replaced the fastener with the hole to the opposite side.
4. Put the door on the upper hinge fastener.
5. Fix the lower hinge in the new position.
6. Unscrew the handle and place it on the opposite side.
7. Some screws are covered with caps. Take off these caps before undoing the screws.
8. Check the door gasket. It should not be creased and should seal well.



Models FF6WBI,  
FF6LWBI, FF7LWBI,  
FF7LBLKBI,  
SCR600GLBI and  
SCR600BGLBI

1. Upper hinge fastener
2. Lower hinge
3. Kick plate

4. Handle
5. Door hinge fixture
6. Door hinge fixture plug

### **Door Handle Installation:**

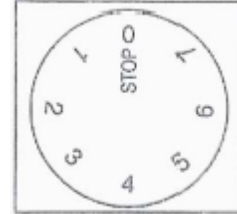
The door has two screw holes on each side, allowing you to install a handle (included). To do so, align the handle with the screw holes on the side you prefer. Fix the handle in place with the included screws, then cover the screw heads with the handle seal (included).

# Operating Your Refrigerator

## Temperature Control:

Your appliance's evaporator system is out of sight behind the interior rear wall.

The interior temperature is controlled with a thermostat knob located inside the unit, towards the upper right-hand corner. Turn the knob clockwise from the **STOP (0)** position toward the higher numbers for colder temperatures. Higher settings on the knob (higher numbers) mean lower temperatures (colder) in the refrigerator.



On the coldest settings, temperatures in some spots inside the cabinet may drop below 32°F. Use higher thermostat settings only when required or recommended. When the ambient temperature is normal, we recommend a medium setting.

Changes in the ambient temperature affect the temperature inside the refrigerator so choose an appropriate setting of the thermostat knob, depending on ambient conditions.

In the **STOP (0)** position, the appliance does not operate (the cooling system is switched off), yet the power supply is not interrupted (the light still works).

Temperature inside the refrigerator also depends on how often you open the door.

In all small refrigerators without interior fans, temperatures are coldest near the bottom, and occasionally near the rear. Place contents accordingly. It is best not to operate these units mostly empty. If temperatures are erratic, try putting some water bottles inside to create a load for the compressor.

## NOTES:

1. Shelves are adjustable. Certain models include glass shelves (see *Technical Information*, page 5). These shelves stop short an inch before the back wall, which is essential for air flow and the proper operation of the automatic defrost system. Do not block these gaps.
2. a) Interior lighting on the FF6WBI series models is controlled by a switch that is activated by the opening and closing of the refrigerator door.  
b) Lights in the other series models are controlled by a manually-operated rocker switch. To maintain the proper interior temperature, keep the light on only as long as necessary. Leaving the light on for long periods of time may damage stored contents.
3. If the refrigerator is unplugged, has lost power, or is turned off, you must wait 3 to 5 minutes before restarting it. If you attempt to restart before this time delay, the unit will not start.

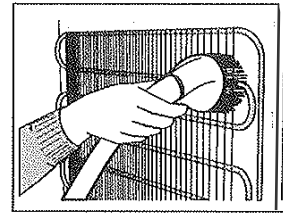
## Defrosting Your Appliance:

This appliance operates with an automatic defrost system, so the refrigerator defrosts itself. While the compressor is operating, ice will build along the rear cold wall (the evaporator plate is behind the wall). During the compressor's off-cycle, ice will melt, drip down, collect in the trough at the bottom and drain through a small hole into a tray above the compressor; where the compressor's heat will evaporate the water. If you notice excessive ice build-up on the rear wall, try setting the thermostat to a slightly warmer setting; be sure that the door gasket is sealing well and that there is no obstruction of the drain hole at the bottom rear of the interior cabinet.

## Care and Maintenance

### **Cleaning Your Appliance:**

1. Unplug the appliance, turn the thermostat to **STOP (0)** and remove all contents, including shelves.
2. Wash the inside surfaces with a solution of lukewarm water and vinegar. Wipe dry with a clean, soft cloth.
3. Wash the shelves, drip tray and crisper (if present) with a mild detergent solution, then rinse and dry thoroughly.
4. Wash the outside cabinet with a solution of warm water and mild liquid detergent. Rinse well and wipe dry with a clean soft cloth.
5. Wring excess water out of the sponge or cloth before cleaning the area of the temperature control or any electrical parts.
6. From time to time, wipe the condenser on the rear wall with a soft non-metallic brush or vacuum cleaner.
7. After you have cleaned the appliance, reconnect it to the power supply, reset the thermostat and return all contents to their place.



*CAUTION: Failure to unplug the unit could result in electrical shock or personal injury.*

### **Power Failure:**

Most power failures are corrected within a few hours and should not affect the temperature of your appliance if you minimize the number of times the door is opened. If the power is going to be off for a longer period of time, you need to take the proper steps to protect your frozen and chilled items.

### **Vacation Time:**

During long absences, remove all contents. Unplug the appliance, clean it and leave the door open slightly to avoid possible formation of condensation, mold or odors.

### **Moving Your Appliance:**

1. Remove the contents.
2. Securely tape down all shelving inside your unit.
3. Turn the leveling legs up to the base to avoid damage.
4. Tape the door shut.
5. Be sure the appliance stays secure in the upright position during transportation.

### **Energy-Saving Tips:**

The unit should be located in the coolest area of the room, away from heat-producing appliances or heating ducts and out of direct sunlight.

Try not to open the door too often, especially when the weather is damp and hot.

Once you open the door, close it as soon as possible.

Occasionally check if the appliance is sufficiently ventilated (adequate air circulation behind the appliance).

Set the thermostat from higher to lower settings as soon as possible (depending on how loaded the appliance is, ambient temperature, etc.).

Before loading items into the unit, be sure they have cooled to ambient temperature.

## Troubleshooting

When using this appliance, you may come across some problems that in many cases result from improper handling and can easily be eliminated.

### TROUBLESHOOTING GUIDE

*The appliance fails to operate after being connected to the power source.*

Check whether the power supply is active and that the thermostat is not set to the **STOP (0)** position.

*The compressor is running continuously.*

The door was opened frequently or it was left open too long.

The door is not properly closed (the door may sag, the gasket may be dirty or damaged).

The power supply has been interrupted for a long period of time.

The appliance may have been overloaded with items above room temperature.

There may be inadequate ventilation of the compressor and condenser. (Assure there is adequate air circulation behind the appliance and wipe the dust from the condenser.)

#### Noise

Cooling in refrigeration appliances is enabled by the refrigerating system with a compressor, which produces noise. How noisy the appliance is depends on where it is placed, how it is used and how old the appliance is.

During the operation of the compressor, the noise of liquid is heard and when the compressor is not operating, the refrigerant flow is heard. This is a normal condition and has no influence whatsoever on the lifetime of the appliance.

After starting the appliance, the operation of the compressor and the refrigerant flow may be louder. This does not mean that something is wrong. Gradually the noise is reduced.

Sometimes a louder noise is heard, which is unusual for the appliance. This noise is often a consequence of improper placement of the unit. (The unit should be placed and leveled firmly on a solid base and it should not touch the wall or cabinets standing next to it.)

# Limited Warranty

## ONE-YEAR LIMITED WARRANTY

Within the 48 contiguous United States, for one year from the date of purchase, when this appliance is operated and maintained according to instructions attached to or furnished with the product, warrantor will pay for factory-specified parts and repair labor to correct defects in materials or workmanship. Service must be provided by a designated service company. Outside the 48 states, all parts are warranted for one year from manufacturing defects. Plastic parts, shelves and cabinets are warranted to be manufactured to commercially acceptable standards, and are not covered from damage during handling or breakage.

## 5-YEAR COMPRESSOR WARRANTY

1. The compressor is covered for 5 years.
2. Replacement does not include labor.

### **ITEMS WARRANTOR WILL NOT PAY FOR:**

1. Service calls to correct the installation of your appliance, to instruct you how to use your appliance, to replace or repair fuses or to correct wiring or plumbing.
2. Service calls to repair or replace appliance light bulbs or broken shelves. Consumable parts (such as filters) are excluded from warranty coverage.
3. Damage resulting from accident, alteration, misuse, abuse, fire, flood, acts of God, improper installation, installation not in accordance with electrical or plumbing codes, or use of products not approved by warrantor.
4. Replacement parts or repair labor costs for units operated outside the United States.
5. Repairs to parts or systems resulting from unauthorized modifications made to the appliance.
6. Expenses for travel and transportation for product service in remote locations.
7. The removal and reinstallation of your appliance if it is installed in an inaccessible location or is not installed in accordance with published installation instructions.

## DISCLAIMER OF IMPLIED WARRANTIES – LIMITATION OF REMEDIES

CUSTOMER'S SOLE AND EXCLUSIVE REMEDY UNDER THIS LIMITED WARRANTY SHALL BE PRODUCT REPAIR AS PROVIDED HEREIN. IMPLIED WARRANTIES, INCLUDING WARRANTIES OF MERCHANTABILITY OR FITNESS FOR A PARTICULAR PURPOSE, ARE LIMITED TO ONE YEAR. WARRANTOR SHALL NOT BE LIABLE FOR INCIDENTAL OR CONSEQUENTIAL DAMAGES. SOME STATES DO NOT ALLOW THE EXCLUSION OR LIMITATION OF INCIDENTAL OR CONSEQUENTIAL DAMAGES, OR LIMITATIONS ON THE DURATION OF IMPLIED WARRANTIES OF MERCHANTABILITY OR FITNESS, SO THESE EXCLUSIONS OR LIMITATIONS MAY NOT APPLY TO YOU. THIS WARRANTY GIVES YOU SPECIFIC LEGAL RIGHTS AND YOU MAY ALSO HAVE OTHER RIGHTS, WHICH VARY FROM STATE TO STATE.

 **WARNING:** This product can expose you to chemicals including Nickel (Metallic) which is known to the State of California to cause cancer.

For more information go to [www.P65Warnings.ca.gov](http://www.P65Warnings.ca.gov)

Note: Nickel is a component in all stainless steel and some other metallic compositions.

**FELIX STORCH, INC.**  
770 Garrison Avenue  
Bronx, NY 10474  
Phone: (718) 893-3900  
Fax: (844) 478-8799  
[www.medicalrefrigerators.c](http://www.medicalrefrigerators.c)



For parts and accessory ordering, troubleshooting and helpful hints, visit:  
[www.summitappliance.com/support](http://www.summitappliance.com/support)

Printed in the USA

## Mesures de sécurité importantes

Votre sécurité et celle des autres est très importante pour nous. Nous avons fourni plusieurs messages de sécurité importants dans ce manuel. Toujours lire et suivre les consignes de sécurité. Des blessures graves ou même la mort peuvent survenir si vous ne suivez pas ces instructions. Tous les messages de sécurité vous diront quel est le danger potentiel, comment réduire le risque de blessure et ce qui peut arriver si les instructions ne sont pas suivies.

**ATTENTION!** Pour réduire le risque d'incendie, de choc électrique ou de blessure lors de l'utilisation de votre appareil, suivre ces précautions essentielles:

Utiliser deux ou plus de personnes pour déplacer et installer cet appareil.

Brancher sur une prise à 3 broches mise à la terre.

Ne pas enlever la broche mise à la terre, ni utiliser un adaptateur 3/2.

L'appareil doit être installé avec toutes les connexions électriques en conformité avec les codes nationaux et locaux. Une alimentation électrique standard (115V CA seulement, 60 Hz), correctement mise en conformité avec le National Electrical Code et les codes et règlements locaux, est nécessaire.

Ne pas plier ou pincer le cordon d'alimentation de l'appareil.

La taille du fusible (ou disjoncteur) doit être de 15 ampères.

Ne pas utiliser une rallonge.

Veiller à ne pas brancher dans les prises contrôlées par des interrupteurs muraux.

Le réfrigérateur doit être nivelé afin de fonctionner correctement. Vous pouvez avoir besoin de faire plusieurs ajustements pour y arriver.

Pour assurer une bonne ventilation de votre appareil, l'avant de l'appareil doit être complètement dégagée. Choisissez un endroit bien aéré avec des températures supérieures à 60°F (16°C) et en dessous de 90°F (32°C).

Cet appareil doit être installé dans un endroit protégé des éléments, tels que le vent, la pluie, de l'eau pulvérisée ou gouttes.

L'appareil ne doit pas être situé à proximité de fours, grilles ou d'autres sources de chaleur intense. Gardez-le hors des rayons directs du soleil.

Coupez l'alimentation avant l'entretien.

Après le service, remplacer toutes les pièces et panneaux avant de faire fonctionner.

Ne pas stocker ou utiliser de l'essence ou d'autres produits inflammables dans le domaine de ce ou tout autre appareil, comme les émanations peuvent provoquer un risque d'incendie ou d'explosion.

Utiliser des nettoyants non inflammables.

Lors du remplacement d'une ampoule, débranchez l'appareil ou coupez le courant au disjoncteur ou la boîte à fusibles afin d'éviter de toucher un fil sous tension. Pour les modèles avec thermostats à cadran, tourner le thermostat à

**STOP (0)** (Arrêt) coupe le compresseur, mais ne coupe pas l'alimentation des autres composants électriques.

Ne débranchez jamais votre appareil en tirant sur le cordon d'alimentation.

Tenez toujours la fiche fermement et tirer tout droit sorti de la prise.

Veillez à ne pas écraser ou endommager le cordon pour déplacer l'appareil.

Ne vous pincer pas, nouer ou plier le cordon d'alimentation de toute manière.

Remplacer ou réparer un cordon de service électrique qui a été endommagé ou effiloché.

Débranchez l'appareil avant d'effectuer des réparations ou le nettoyage. Nous recommandons que le service soit effectué par un technicien qualifié.

Si votre électricité s'éteint, suivez cette procédure:

- ✓ Appelez votre compagnie d'électricité pour déterminer combien de temps le service doit être interrompu.
- ✓ Si le service doit être interrompu pendant moins de 24 heures, garder l'appareil fermé autant que possible. Cela permettra de garder le contenu de se gâter.
- ✓ Si le service doit être interrompu pendant plus de 24 heures, retirer le contenu et stocker dans un casier réfrigéré ou autre réfrigérateur.

***DANGER!*** *Risque de piégeage d'enfants!*

Les anciens appareils peuvent représenter un danger d'étouffement pour les enfants.

- Enlevez la porte(s) de votre ancien appareil.
- Laissez les étagères ou des paniers en place.
- Si votre ancien appareil contient des fluides frigorigènes, il doit être recyclé par une agence agréée de service ou d'élimination des déchets.

*LES SÉRIES DE MODÈLES FF6WBI ET FF7WBI, AINSI QUE LA SÉRIE SCR600LBI, SONT CONÇUES POUR USAGE MÉDICAL OU PHARMACEUTIQUE SEULEMENT. ELLES NE SONT PAS DESTINÉES À SERVIR DE RÉFRIGÉRATEURS. MODÈLE SCR600BLBI EST CONÇU COMME UN MARCHANDISEUR DES BOISSONS COMMERCIAL.*

*CET APPAREIL N'EST PAS DESTINÉ À L'USAGE DES JEUNES ENFANTS OU DES PERSONNES HANDICAPÉES À MOINS QU'ILS AIENT ÉTÉ ADÉQUATEMENT SUPERVISÉS PAR UNE PERSONNE RESPONSABLE DE FAÇON QU'ILS PUISSENT UTILISER LES APPAREILS EN TOUTE SÉCURITÉ. LES JEUNES ENFANTS DOIVENT ÊTRE SURVEILLÉS POUR ÉVITER QU'ILS NE PAS JOUER AVEC L'APPAREIL.*

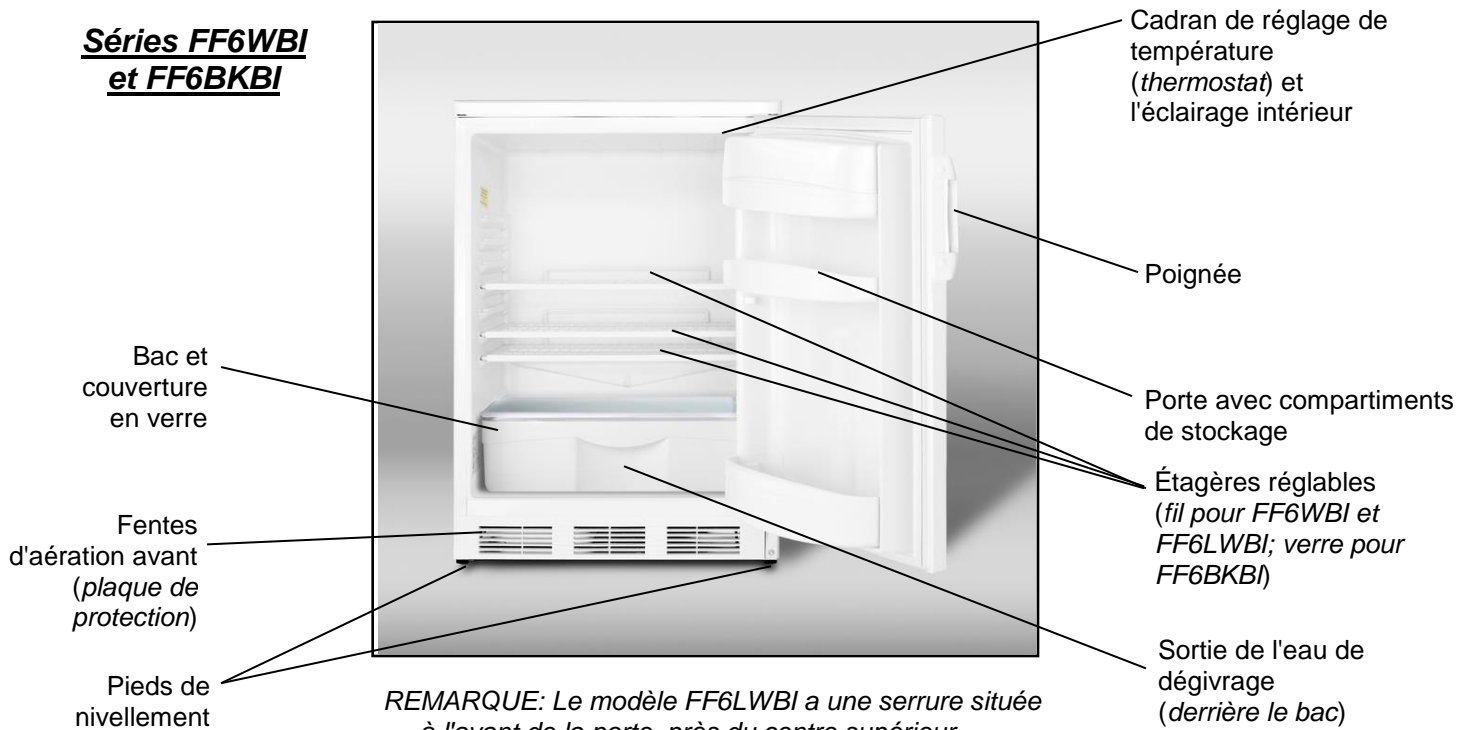
**– CONSERVER CES INSTRUCTIONS –**

## Table des matières

<b>Mesures de sécurité importantes</b> .....	<b>14 – 15</b>
<b>Emplacement des pièces</b> .....	<b>16 – 17</b>
<b>Informations techniques</b> .....	<b>18</b>
<b>Instructions d'installation</b> .....	<b>19 - 22</b>
<i>Avant d'utiliser votre appareil</i> .....	19
<i>Installation du réfrigérateur</i> .....	19
<i>Raccordement électrique</i> .....	19 - 20
<i>Rallonge</i> .....	20
<i>Inversion de l'ouverture de la porte</i> .....	20 - 21
<i>Installation de la poignée de porte</i> .....	21
<b>Fonctionnement de votre réfrigérateur</b> .....	<b>23 - 24</b>
<i>Régulation de la température</i> .....	23
<i>Dégivrage de votre appareil</i> .....	24
<b>Entretien et maintenance</b> .....	<b>24 - 25</b>
<i>Nettoyage de votre appareil / Panne de courant / Vacances</i> .....	24
<i>Déplacement de votre appareil / Conseil d'économie d'énergie</i> .....	25
<b>Dépannage</b> .....	<b>26</b>
<b>Garantie limitée</b> .....	<b>28</b>

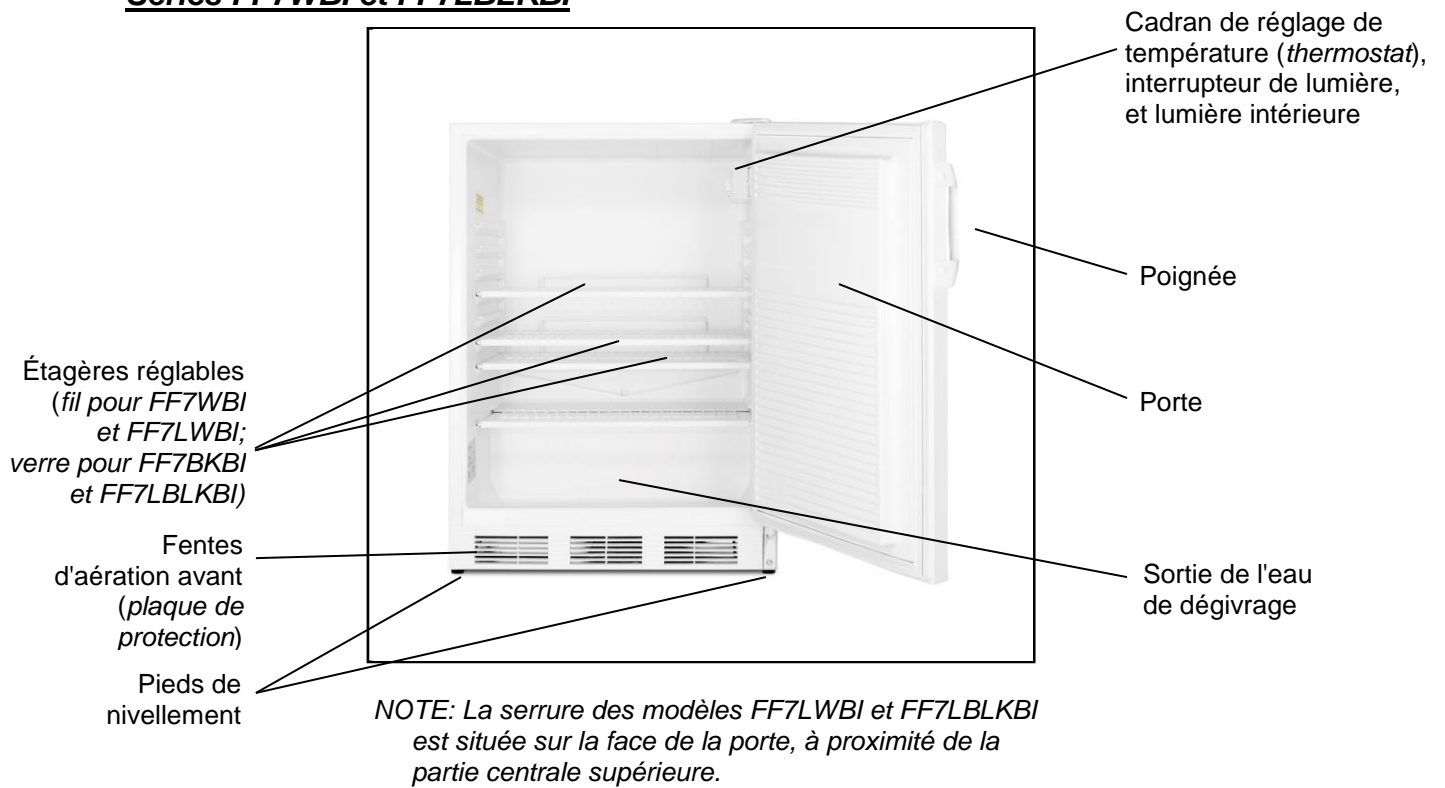
## Emplacement des pièces

### Séries FF6WBI et FF6BKB

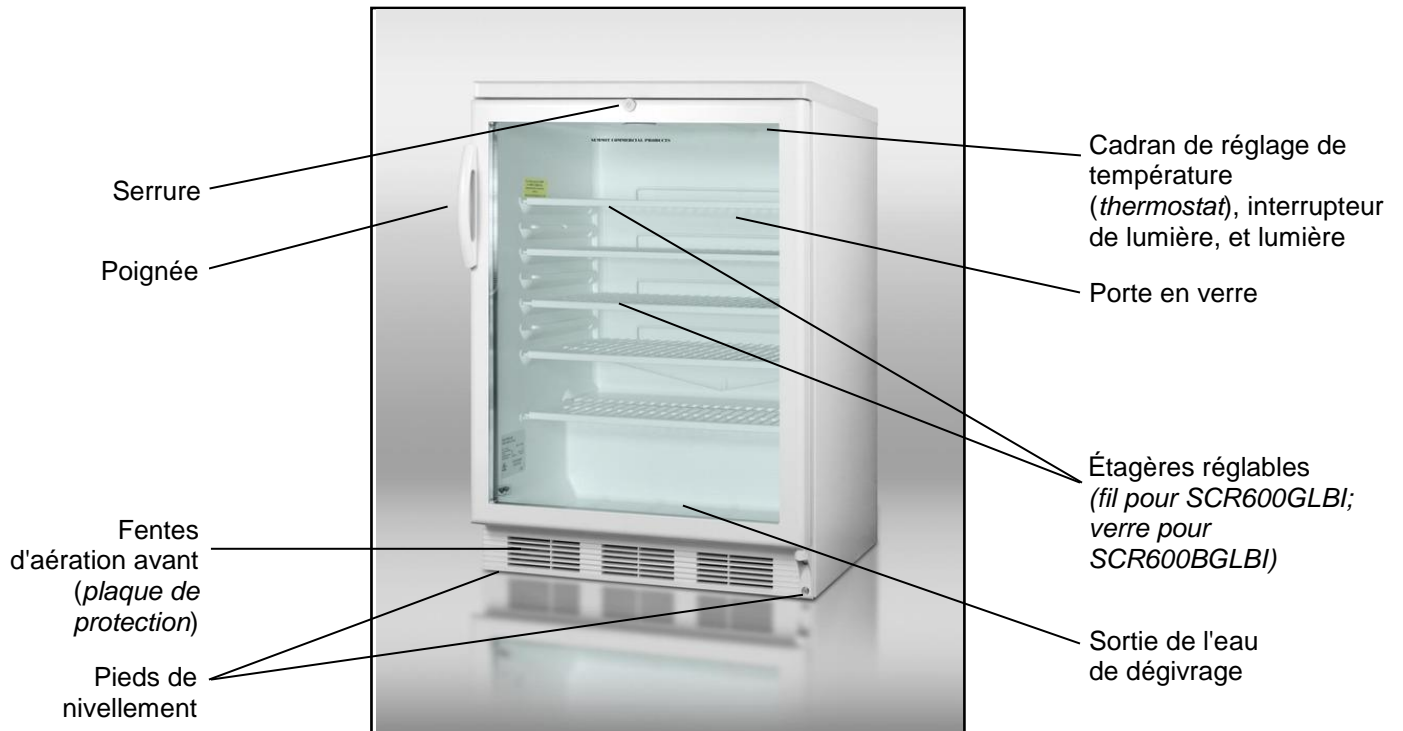




**Séries FF7WBI et FF7LBLKBI**



**Séries SCR600GLBI et SCR600BGLBI**



## Informations techniques

<b>Numéros de modèles et descriptions</b>	FF6WBI (blanc avec étagères de fil et pas de serrure; stockage à la porte) FF6LWBI (blanc avec étagères de fil et serrure; stockage à la porte) FF6BKBI (noir avec étagères en verre et pas de serrure; stockage à la porte) FF7WBI (blanc avec des étagères de fil et pas de serrure; intérieur de la porte plat) FF7LWBI (blanc avec étagères de fil et serrure; intérieur de la porte plat) FF7BKBI (noir avec étagères en verre et pas de serrure; intérieur de la porte plat) FF7LBLKBI (noir avec étagères en verre et serrure; intérieur de la porte plat) SCR600GLBI (blanc avec étagères de fil et serrure; porte en verre) SCR600BGLBI (noir avec étagères en verre et serrure; porte en verre)
<b>Capacité</b>	5.5 pieds cubiques (156 litres)
<b>Entrée électrique</b>	115V CA/60Hz
<b>Ampérage</b>	FF6WBI, FF6LWBI, FF6BKBI: 1.4A FF7WBI, FF7LWBI, FF7BKBI: 1.4A SCR600GLBI, SCR600BGLBI: 1.8A
<b>Réfrigérant</b>	FF6WBI, FF6LWBI, FF6BKBI: R600a (0.64oz, 1.81g) FF7WBI, FF7LWBI, FF7BKBI: R600a (0.64oz, 1.81g) SCR600GLBI, SCR600BGLBI: R600a (0.67oz, 1.89g)
<b>Installation</b>	Encastrée ou autonome
<b>Dimensions de l'unité (L x P x H)</b>	23.63" x 23.5" x 33.5"* (60,0 x 59,7 x 85,1 cm)

NOTES : 1. Les modèles des séries FF6WBI et FF7WBI et SCR600GLBI conviennent au stockage à usage général. Ils peuvent également stocker des denrées alimentaires à une température idéale. Cependant, ils ne sont pas conçus pour un usage domestique car ils utilisent un compresseur commercial surdimensionné.

Modèle SCR600BGLBI est conçu comme un marchandiseur des boissons commercial.

2. Les spécifications sont sujettes à modification sans préavis.

\* Les modèles avec le suffixe ADA sont dimensionnés à 32 "de haut pour une utilisation dans des paramètres conformes à l'ADA.

### **DISCLOSURE CARB/SNAP CALIFORNIA**

Ce produit utilise un réfrigérant hydrocarboné écologique et est entièrement conforme aux réglementations CARB de Californie.

Cependant, nous sommes tenus par la loi Californienne de fournir la déclaration de divulgation suivante dans chaque produit vendu en Californie.

*"Il est interdit d'utiliser cet équipement en Californie avec tout réfrigérant figurant sur la 'Liste des substances interdites' pour cette utilisation finale spécifique, conformément aux Code Californiens de Regulations, titre 17, section 95374. Cette déclaration a été examinée et approuvée par Felix Storch, Inc. et Felix Storch, Inc. atteste, sous peine de parjure, que ces déclarations sont véridiques et exactes."*

Ce produit n'utilise aucun réfrigérant sur la 'Liste des substances interdites'"

## Instructions d'installation

### Avant d'utiliser votre appareil :

Retirez l'emballage extérieur et l'intérieur.

**ATTENTION:** Après le déballage vous **DEVEZ** permettre cet appareil de se tenir debout pendant au moins 2 heures pour permettre aux lubrifiant et réfrigérant à écouler dans le compresseur et se stabiliser. Ne pas le faire peut affecter les performances et la durée de vie de cette unité.

Retirez les étagères et les nettoyer et les surfaces intérieures de l'appareil avec de l'eau tiède et un chiffon doux.

### Installation du réfrigérateur :

Placez l'appareil sur un plancher qui est assez solide pour supporter l'appareil quand il est entièrement chargé. Pour mettre à niveau l'unité, réglez les deux pieds de nivellement à l'avant.

Votre appareil peut être installé soit en position libre, encastré ou intégré dans une enceinte. Lors de l'installation comme une unité autonome, permettre au moins 2 " (51mm) d'espace sur les côtés, en haut et à l'arrière de l'appareil pour permettre une bonne circulation d'air pour refroidir le compresseur et le condenseur. Même quand intégré, l'appareil nécessite au moins 2 " de dégagement à l'arrière, 1/8" (3 mm) des deux côtés et 1/16 " (1,6 mm) dans la partie supérieure. Veillez à ce que les grilles d'aération à l'avant de l'appareil ne sont jamais couvertes ou bloquées en aucune façon.

Installez l'appareil loin de la lumière du soleil directe et des sources de chaleur (four, chauffage, radiateur, etc.). La lumière solaire directe peut affecter le revêtement acrylique et sources de chaleur peut augmenter la consommation électrique. Des températures ambiantes extrêmement froides peuvent également affecter la performance de l'appareil.

Éviter de placer l'appareil dans les zones humides. Trop d'humidité dans l'air provoque la gelée à former rapidement sur l'évaporateur, ce qui nécessite un dégivrage plus fréquent de l'intérieur.

Branchez l'appareil dans une prise murale exclusive, correctement installée et mise à la terre. Ne pas en aucun cas réduire ou supprimer le troisième pôle (terre) du cordon d'alimentation. Toutes les questions concernant la puissance et / ou mise à la terre doivent être adressées à un électricien certifié ou au centre de service autorisé.

### Raccordement électrique :



#### **AVERTISSEMENT**

*Une mauvaise utilisation de la fiche de terre peut entraîner un risque de choc électrique. Si le cordon d'alimentation est endommagé, le faire remplacer par le fabricant, son agent de service ou un technicien qualifié afin d'éviter un danger.*

Cet appareil doit être correctement mis à la terre pour votre sécurité. Le cordon d'alimentation de cet appareil est équipé d'une fiche à trois broches qui s'accouple avec une prise murale standard à trois broches afin de minimiser le risque de choc électrique.

Ne pas en aucun cas couper ou enlever la troisième broche de terre du cordon d'alimentation fourni. Pour votre sécurité, cet appareil doit être correctement mis à la terre.

Cette unité nécessite une norme électrique de 115 volts CA / 60Hz avec une prise à terre à trois broches. Avoir la prise murale et le circuit vérifiés par un électricien qualifié pour s'assurer que la prise est correctement mise à la terre. Quand une prise murale standard à 2 broches est rencontrée, il vous incombe de la faire remplacer par une prise murale à 3 broches mise à la terre.

Pour éviter toute blessure accidentelle, le cordon doit être fixé derrière l'unité et non laissé exposé ou pendant.

L'unité doit toujours être branchée dans sa propre prise électrique qui a une tension qui correspond à la plaque signalétique de l'appareil. Cette offre les meilleures performances et empêche aussi la surcharge des circuits de câblage qui pourrait provoquer un risque d'incendie par surchauffe des fils. Ne débranchez jamais l'appareil en tirant sur le cordon d'alimentation. Toujours saisir fermement la fiche et tirez toute droite sortie de la prise. Réparer ou remplacer immédiatement tout cordon d'alimentation qui est devenu usé ou endommagé. N'utilisez pas un cordon qui présente des fissures ou des dommages à l'abrasion sur sa longueur ou à chaque extrémité. Pour déplacer l'appareil, veillez à ne pas endommager le cordon d'alimentation.

#### **Rallonge :**

Ne pas utiliser une rallonge avec cet appareil. Si le cordon d'alimentation est trop court, demandez à un technicien de service ou à un électricien qualifié d'installer une prise près de l'appareil.

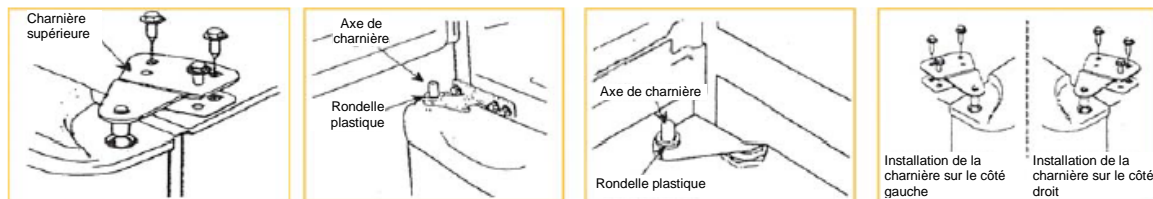
#### **Inversion de l'ouverture de la porte :**

Si vous trouvez la direction de l'ouverture de la porte de l'appareil à être inconfortable, vous pouvez la changer. Des trous sur le côté opposé ont déjà été préparés à l'usine.

Cet appareil peut être ouvert à partir du bord droit ou gauche. Par défaut, la charnière de porte est sur le côté droit. Si vous préférez-la sur la gauche, s'il vous plaît suivez les instructions appropriées:

Pour les modèles FF6BKBI, FF7WBI et FF7BKBI :

1. Retirez le couvercle supérieur de la charnière de la porte et enlever les vis qui maintiennent la charnière supérieure.
2. Soulevez la charnière droite pour dégager l'axe de charnière de la prise dans le haut de la porte.
3. Soulevez la porte en haut et loin pour libérer son logement de fond de l'axe de charnière.
4. Retirer les vis de la charnière inférieure.
5. Retirer les capuchons décoratifs du côté opposé et boucher les trous du côté d'origine avec les capuchons décoratifs.
6. Déplacez la charnière inférieure sur le côté opposé et serrer les vis. Utilisez des rondelles de blocage et les écrous s'ils ont été installés dans l'installation d'origine.
7. Remplacez la porte sur l'axe sur la charnière inférieure. Placez la charnière supérieure dans la porte. Insérer les vis dans la charnière supérieure et serrer.



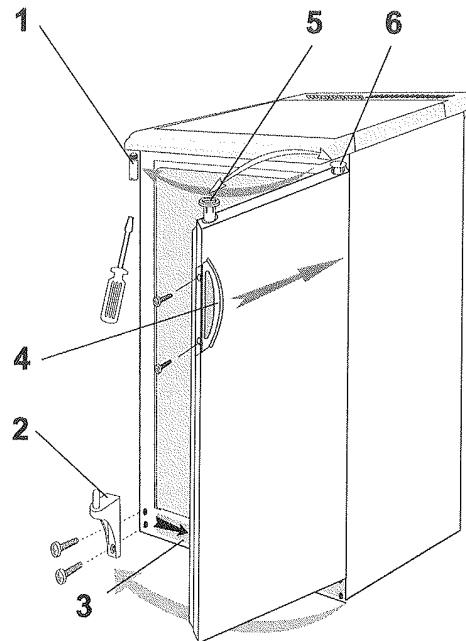
Si vous remarquez que la porte ne soit pas suspendue tout droit, desserrer les vis de la charnière supérieure, ajuster la porte jusqu'à ce qu'elle soit de niveau et serrer les vis.

Pour les modèles FF6WBI, FF6LWBI, FF7LWBI, FF7LBLKBI, SCR600GLBI et SCR600BGLBI :

REMARQUES: Voir illustration ci-dessous.

Toutes les pièces qui sont démontées doivent être conservées pour la réinstallation de la porte.

1. Dévissez la charnière inférieure et enlever la porte.
2. Poussez la plaque de protection à la droite dans la nouvelle position.
3. Ouvrez l'attache de la charnière supérieure et la fixer sur le côté opposé du boîtier, où vous avez déjà retiré et remplacé l'attache avec le trou sur le côté opposé.
4. Mettez la porte sur l'attache de la charnière supérieure.
5. Fixez la charnière inférieure dans la nouvelle position.
6. Dévissez la poignée et placez-la sur le côté opposé.
7. Certaines vis sont couvertes avec des capuchons. Enlevez ces capuchons avant de démonter les vis.
8. Vérifiez le joint de la porte. Il ne devrait pas être froissé et devrait bien sceller.



Modèles FF6WBI,  
FF6LWBI, FF7LWBI,  
FF7LBLKBI,  
SCR600GLBI et  
SCR600BGLBI

1. Attache de charnière supérieure
2. Charnière inférieure
3. Plaque de protection

4. Poignée
5. Fixation de la charnière
6. Capuchon de la fixation de la charnière

### **Installation de la poignée de porte:**

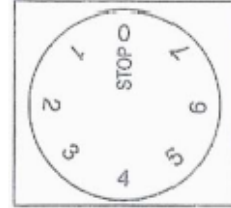
La porte a deux trous de vis sur chaque côté, vous permettant d'installer une poignée (incluse). Pour ce faire, aligner la poignée avec les trous de vis sur le côté que vous préférez. Fixer la poignée en place avec les vis fournies, puis couvrir les têtes de vis avec le sceau de la poignée (inclus).

## Fonctionnement de votre réfrigérateur

### Régulation de la température:

Le système d'évaporation de votre appareil est hors de vue derrière la paroi arrière intérieure.

La température intérieure est contrôlée avec un bouton de thermostat situé à l'intérieur de l'unité, vers le coin supérieur droit. Tournez le bouton dans le sens horaire à partir du **STOP (0)** (*Arrêt*) position vers les chiffres plus élevés pour des températures plus froides. Des réglages plus élevés sur le bouton (chiffres supérieurs) indiquent des températures inférieures (plus froides) dans le réfrigérateur.



Sur les réglages les plus froids, les températures dans certains endroits à l'intérieur de l'armoire peuvent descendre en dessous de 32 °F. Utilisez réglages du thermostat plus élevés uniquement lorsque requis ou recommandés. Lorsque la température ambiante est normale, nous recommandons un réglage moyen.

Les changements dans la température ambiante affectent la température à l'intérieur du réfrigérateur, donc choisir un réglage approprié du bouton du thermostat, en fonction des conditions ambiantes.

Dans la position **STOP (0)** (*Arrêt*), l'appareil ne fonctionne pas (le système de refroidissement est éteint), mais l'alimentation n'est pas interrompue (la lumière fonctionne toujours).

La température à l'intérieur du réfrigérateur dépend aussi de combien de fois vous ouvrez la porte.

Dans tous les petits réfrigérateurs sans ventilateur intérieur, les températures sont plus froides près du fond, et parfois près de l'arrière. Placez le contenu en conséquence. Il est préférable de ne pas faire fonctionner ces unités presque vides.

Si les températures sont erratiques, essayez de mettre des bouteilles d'eau à l'intérieur pour créer une charge pour le compresseur.

### NOTES:

1. Les étagères sont réglables. Certains modèles comprennent des étagères en verre (voir *Informations techniques* à la page 18). Ces étagères arrêtent un pouce devant le mur arrière, ce qui est essentiel pour l'écoulement de l'air et le bon fonctionnement du système de dégivrage automatique. Ne pas bloquer ces lacunes.
2. a) L'éclairage d'intérieur sur les modèles de la série FF6BI est commandée par un commutateur qui est activé par l'ouverture et la fermeture de la porte du réfrigérateur.  
b) Les lumières sur les autres modèles sont contrôlées par un interrupteur à bascule à commande manuelle. Pour maintenir la température intérieure bonne, seulement garder la lumière allumée aussi longtemps que nécessaire.
3. Si le réfrigérateur est débranché, a perdu le courant, ou est désactivé, vous devez attendre 3 à 5 minutes avant de le redémarrer. Si vous essayez de redémarrer avant ce délai, l'unité ne démarre pas.

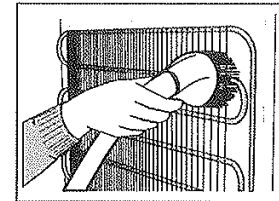
### **Dégivrage de votre appareil:**

Cet appareil fonctionne avec un système de dégivrage automatique, de sorte que le réfrigérateur se dégivre. Alors que le compresseur est en marche, la glace s'accumule le long de la paroi froide arrière (la plaque de l'évaporateur est derrière le mur). Pendant le cycle d'arrêt du compresseur, la glace va fondre, goutter, se recueillir dans le creux au fond et écouler à travers un petit trou dans un plateau au-dessus du compresseur; où la chaleur du compresseur fait évaporer l'eau. Si vous remarquez une accumulation excessive de glace sur la paroi arrière, essayez de régler le thermostat à un réglage légèrement plus chaud. Assurez-vous que le joint de la porte est serré et qu'il n'y a aucune obstruction de l'orifice de vidange à l'arrière fond de l'armoire intérieure.

## **Entretien et maintenance**

### **Nettoyage de votre appareil:**

1. Débranchez l'appareil, tourner le thermostat sur **STOP (0)** (*Arrêt*) et retirer tous les contenus, y compris les étagères.
2. Lavez les surfaces intérieures avec une solution d'eau tiède et de vinaigre. Essuyer avec un chiffon doux et propre.
3. Laver les étagères et bac (si présent) avec une solution de détergent doux, puis rincer et sécher soigneusement.
4. Lavez l'extérieur avec une solution d'eau chaude et un détergent liquide doux. Rincez bien et séchez avec un chiffon doux et propre.
5. Essorez bien de l'éponge ou du chiffon avant de nettoyer la zone du contrôle de la température ou des pièces électriques.
6. De temps en temps, nettoyez le condenseur sur la paroi arrière avec une brosse douce non métallique ou un aspirateur.
7. Après avoir nettoyé l'appareil, rebranchez-le à l'alimentation, réinitialiser le thermostat et retourner tous les contenus à leur place.



**ATTENTION:** Faute de débrancher l'appareil pourrait provoquer un choc électrique ou de blessure.

### **Panne de courant:**

La plupart des pannes de courant sont corrigées en quelques heures et ne devraient pas affecter la température de votre appareil si vous réduisez le nombre de fois que la porte est ouverte. Si le courant va être hors service pendant une période plus longue, vous devez prendre les mesures appropriées pour protéger vos produits réfrigérés.

### **Période de vacances:**

Pendant de longues absences, retirer tous les contenus. Débranchez l'appareil, nettoyez-le et laissez la porte légèrement ouverte pour éviter la formation possible de condensation, de moisissure ou des odeurs.



### **Déplacement de votre appareil:**

1. Retirez le contenu.
2. Fixez tous les étagères à l'intérieur de votre appareil.
3. Tournez les pieds de nivellement à la base pour éviter tout dommage.
4. Utilisez scotch pour garder la porte fermée.
5. Assurez-vous que l'appareil reste bloqué en position verticale pendant le transport.

### **Conseils d'économie d'énergie:**

L'appareil doit être situé dans le quartier le plus cool de la pièce, loin des appareils produisant de la chaleur ou des conduits de chauffage et des rayons du soleil. Essayez de ne pas ouvrir la porte trop souvent, surtout quand le temps est humide et chaud. Une fois que vous ouvrez la porte, fermez-la dès que possible. Vérifiez de temps en temps si l'appareil est suffisamment ventilé (circulation d'air suffisante derrière l'appareil). Réglez le thermostat des réglages plus élevés aux plus inférieurs car dès que possible (en fonction de la façon dont l'appareil est chargé, température ambiante, etc.). Avant de charger les articles dans l'appareil, assurez-vous qu'ils ont refroidi à température ambiante.

## Dépannage

Lorsque vous utilisez cet appareil, vous pouvez rencontrer certains problèmes qui dans de nombreux cas résultent d'une mauvaise manipulation et peut facilement être éliminés.

### GUIDE DE DÉPANNAGE

*L'appareil ne fonctionne pas après avoir été connecté à la source d'alimentation.*

Vérifiez si l'alimentation est active et que le thermostat n'est pas réglé sur la position **STOP (0)** (Arrêt).

*Le compresseur fonctionne en continu.*

- La porte a été ouverte fréquemment ou elle a été laissée ouverte trop longtemps.
- La porte n'est pas correctement fermée (la porte peut s'affaisser, le joint peut être sale ou endommagé).
- L'alimentation électrique a été interrompue pendant une longue période de temps.
- L'appareil a peut-être été surchargé avec des objets dessus de la température ambiante.
- Il peut y avoir une ventilation inadéquate du compresseur et le condenseur. (S'assurer qu'il y a une circulation d'air suffisante derrière l'appareil et essuyer la poussière du condenseur.)

### *Bruit*

Refroidissement dans les appareils de réfrigération est activé par le système de réfrigération comportant un compresseur, qui produit un bruit. Comment l'appareil est bruyant dépend de l'endroit où il est placé, comment il est utilisé et quel âge l'appareil a-t-il.

Pendant le fonctionnement du compresseur, le bruit de liquide est entendu et lorsque le compresseur ne fonctionne pas, le débit de réfrigérant est entendu. C'est un état normal et n'a aucune influence sur la durée de vie de l'appareil.

Après le démarrage de l'appareil, le fonctionnement du compresseur et le débit de fluide frigorigène peut être plus fort. Cela ne signifie pas qu'il y a un problème. Peu à peu, le bruit est réduit.

Parfois un bruit plus fort se fait entendre, ce qui est inhabituel pour l'appareil. Ce bruit est souvent la conséquence d'un mauvais positionnement de l'unité. (L'appareil doit être placé et nivelé fermement sur une base solide et il ne doit pas toucher le mur ou armoires debout à côté de lui.)

## Notes

## Garantie limitée

### UN AN DE GARANTIE LIMITÉE

Dans les 48 États américains contigus, pendant un an à partir de la date d'achat, lorsque cet appareil est utilisé et entretenu conformément aux instructions jointes à, ou fournies avec le produit, le garant paiera pour les pièces spécifiées en usine et pour la main-d'œuvre pour corriger les vices de matériaux ou de fabrication. Le service doit être fourni par une compagnie de service désignée. En dehors des 48 États, toutes les pièces sont garanties pendant un an pour les défauts de fabrication. Les pièces en plastique, étagères et armoires sont garanties être fabriqués conformément aux normes acceptées dans le commerce et ne sont pas couvertes contre les dommages ou le bris pendant la manipulation.

### GARANTIE DU COMPRESSEUR DE 5 ANS

1. Le compresseur est couvert par la garantie pendant 5 ans.
2. Le remplacement n'inclut pas la main-d'œuvre.

### *LE GARANT NE SERA PAS TENU DE PAYER POUR CES POINTS :*

1. Les appels de service pour rectifier l'installation de votre appareil, pour vous indiquer comment utiliser votre appareil, remplacer ou réparer des fusibles ou rectifier le câblage ou la plomberie.
2. Les appels de service pour réparer ou remplacer des ampoules ou des étagères cassées. Les pièces à usure (telles que des filtres) sont exclues de la couverture de la garantie.
3. Les dommages résultant d'un accident, modification, usage impropre ou abusif, incendie, inondation, actes de Dieu, mauvaise installation, une installation non conforme aux codes d'électricité ou de plomberie, ou l'utilisation de produits non approuvés par le garant.
4. Les pièces de rechange ou les frais de réparation pour les appareils utilisés hors des États-Unis.
5. Les réparations aux pièces ou systèmes résultant de modifications non autorisées apportées à l'appareil.
6. Les frais de déplacement et de transport pour le service produit dans des endroits éloignés.
7. Le retrait et la réinstallation de votre appareil s'il est installé dans un endroit inaccessible ou n'est pas installé conformément aux instructions d'installation.

### EXCLUSION DE GARANTIES IMPLICITES; LIMITATION DES RECOURS

LE SEUL ET UNIQUE RECOURS DU CLIENT EN VERTU DE CETTE GARANTIE LIMITÉE EST LA RÉPARATION DU PRODUIT TEL QUE PRÉCÉDEMMENT DÉCRIT. GARANTIE IMPLICITE, Y COMPRIS LES GARANTIES DE QUALITÉ MARCHANDE OU D'ADÉQUATION À UN USAGE PARTICULIER, SONT LIMITÉES À UN AN. LE GARANT NE SERA PAS RESPONSABLE DES DOMMAGES DIRECTS OU INDIRECTS. CERTAINS ÉTATS NE PERMETTENT PAS L'EXCLUSION OU LA LIMITATION DES DOMMAGES DIRECTS OU INDIRECTS, OU LA LIMITATION DE LA DURÉE DES GARANTIES DE QUALITÉ MARCHANDE OU D'ADAPTATION, DE SORTE QUE CES EXCLUSIONS OU LIMITATIONS PEUVENT NE PAS S'APPLIQUER À VOUS. CETTE GARANTIE VOUS DONNE DES DROITS SPÉCIFIQUES ET VOUS POUVEZ AUSSI AVOIR D'AUTRES DROITS POUVANT VARIER D'UN ÉTAT À L'AUTRE.



**AVERTISSEMENT :** Ce produit peut vous exposer à des produits chimiques, notamment le nickel (métallique), reconnu par l'État de Californie pour provoquer le cancer.

Pour plus d'informations, visitez [www.P65Warnings.ca.gov](http://www.P65Warnings.ca.gov)

Remarque: le nickel est un composant de tous les composants en acier inoxydable et

**FELIX STORCH, INC.**  
770 Garrison Avenue  
Bronx, NY 10474  
Téléphone: (718) 893-3900  
Télécopieur: (844) 478-8799  
[www.summitappliance.com](http://www.summitappliance.com)

**SUMMIT**  
C O M M E R C I A L

Pour les pièces et la commande des accessoires, le dépannage et des conseils de service, visitez le site :  
[www.summitappliance.com/support](http://www.summitappliance.com/support)

Imprimé aux États-Unis