



Gas Cooktop

36" Gas Rangetop

ECCG3672AS

Available Colors : Stainless Steel

Version : 05/21

Cooktop

Cooking Surface Type	Gas
Grate Material	Cast Iron
Grate Quantity	3
Grate Style	Continuous
Sealed Burners	Yes
Griddle Included	Yes

Cooktop Performance

Right Front Element Burner	18,000 / 750 BTU Dual
Right Rear Element Burner	12,000 / 750 BTU Dual
Left Front Element Burner	18,000 / 750 BTU Dual
Left Rear Element Burner	12,000 / 750 BTU Dual
Center Front Element Burner	12,000 / 750 BTU Dual
Center Rear Element Burner	12,000 / 750 BTU Dual

Exterior

Cooking Surface Color	Stainless with Black Enamel Sump
Backlit Knobs	Yes

Dimensions and Volume

Height	7 1/2"
Width	35 15/16"
Depth	27 1/8"
Cutout Height	7 1/2"
Maximum Cutout Depth	24 3/8"
Minimum Cutout Depth	24 1/8"
Minimum Cutout Width	36"

Electrical Specifications

120V Appliance Outlet	Yes
Amps @ 120 Volts	6 Amps
Voltage Rating	120 V

Installation

Gas Supply Connection Location	Right Bottom
--------------------------------	--------------

LP Conversion Kit Included	Yes
Power Cord Included	Yes

General Specifications

Product Weight	113 lbs
Prop 65 Label	Yes
Warranty - Labor	1 Year
Warranty - Parts	1 Year

Safety Certifications and Approvals

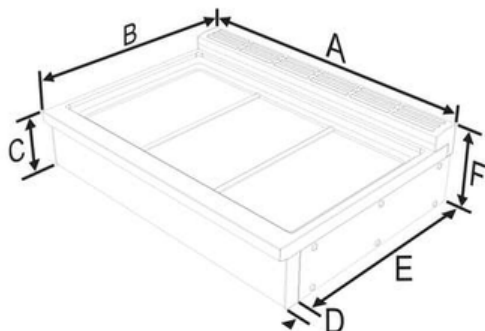
CSA Listed	Yes
RoHS	Yes

High standards of quality at Electrolux Home Products, Inc. mean we are constantly working to improve our products. We reserve the right to change specifications or discontinue models without notice.

Electrolux Major Appliances, N.A.

USA • 10200 David Taylor Drive • Charlotte, NC 28262 • Charlotte, NC 28262 • 1-877-4electrolux (1-877-435-3287) • electroluxappliances.com

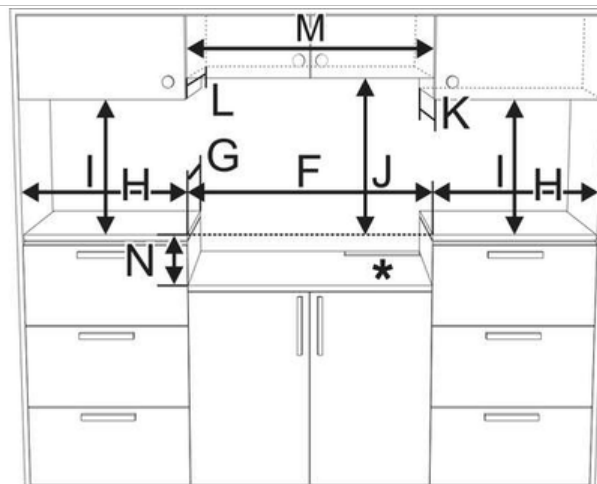
CANADA • 5855 Terry Fox Way • Mississauga, ON L5V 3E4 • 1-800-265-8352 • electroluxappliances.ca



A	912.4 mm	35 15/16"
B¹	max: 688 mm min: 681.5 mm	max: 27 1/8" min: 26 13/16"
C	190.5 mm	7 1/2"
D	46.5 mm	1 13/16"
E	604 mm	23 12/16"
F	241 mm	9 1/2"

1. Dimension **B** and clearance **G** (next table) varies according to the presence of the rear spacers and its screws: the maximum is obtained with the rear spacer and the minimum without it. The rear spacer can be removed in case of island installation or if the back wall is non-combustible.

NOTE: Clearances from non-combustible materials are not part of the ANSI Z21.1 scope and are not certified by CSA.



F	914 mm	36"
G¹	max: 619 mm min: 612.5 mm	max: 24 3/8" min: 24 1/8"
H	min. 508 mm	min. 20"
I	min. 457 mm	min. 18"
J	see notes below	
K	max. 330 mm	max. 13"
L	max. 330 mm	max. 13"
M	min. 914 mm	min. 36"
N	190.5 mm	7 1/2"

Clearance **J** can have the following values:

- **J = 36" / 914 mm** minimum clearance between the top of the cooking surface and the bottom of an unprotected wood or metal cabinet.
- **J = 30" / 762 mm** minimum when the bottom of wood or metal cabinet is protected by not less than 1/4-inch-thick flame-retardant millboard covered with not less than No. 28 MSG sheet steel, 0.015-inch-thick stainless steel, 0.024-inch-thick aluminum, or 0.020-inch-thick copper. Clearances from non-combustible materials are not part of the ANSI Z21.1 scope and are not certified by CSA. Clearances of less than 30" should be approved by the local codes and/or by the local authority having jurisdiction.