

# DVG45T3400P

SAMSUNG

## Samsung 7.4 cu. ft. Capacity Top Load Gas Dryer with Sensor Dry



### Signature Features

#### Sensor Dry

- Helps prevent overdrying for optimal fabric care.

#### Large 7.4 cu. ft. Capacity

- Fewer loads, less time in the laundry room, and more time doing the things you love.

#### 10 Preset Drying Cycles

- More cycles to cover almost every drying need for your active family.

### Available Color



Platinum



Sensor Dry



Large 7.4 cu. ft. Capacity

### Features

- Sensor Dry
- Large 7.4 cu. ft. Capacity
- 10 Preset Drying Cycles
- Reversible Dryer Door
- Smart Care\*
- 7 Additional Drying Options
- 4 Temperature Levels
- Wrinkle Prevent
- 3-Way Venting
- Powder Coat Interior
- LED Display: Ice Blue

### Convenience

- Child Lock
- Filter Check Indicator

### Electrical Requirements

120V / 60Hz  
15 Amps

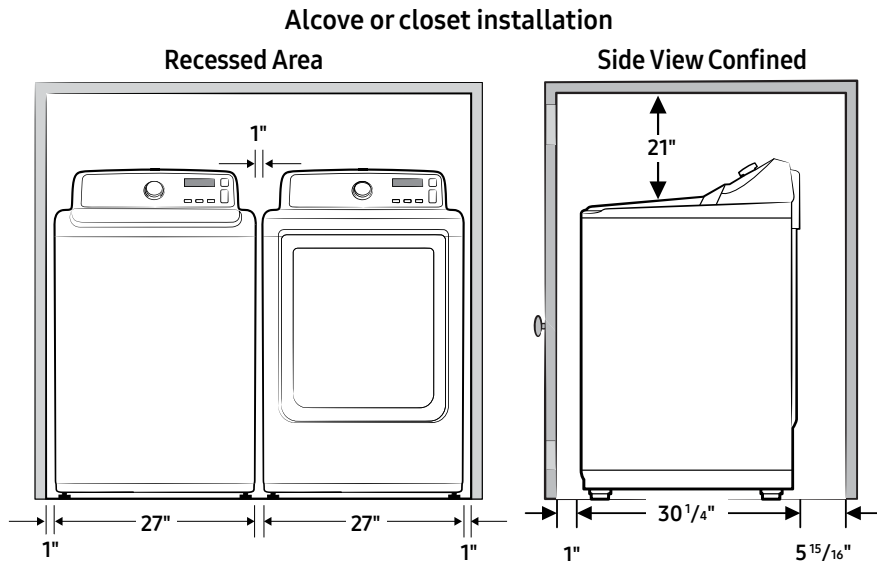
\*Requires Samsung Smart Washer/Dryer App. The Samsung Smart Washer/Dryer App supports Android OS 2.3.6 or later and iOS 3 or later for iPhone models. Samsung Smart Washer/Dryer App available in App Store and Play Store.

# DVG45T3400P

# SAMSUNG

## Samsung 7.4 cu. ft. Capacity Top Load Gas Dryer with Sensor Dry

### Installation Specifications



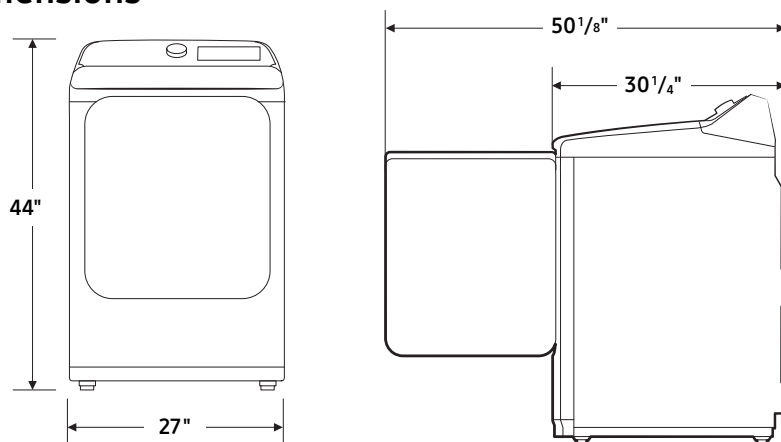
#### Minimum clearances for closets and alcoves:

- Sides – 1"
- Top – 21"
- Rear – 5<sup>15</sup>/<sub>16</sub>"
- Closet Front – 1"

If both the washer and a dryer are installed in the same location, the front of the alcove or closet must have two unobstructed air openings for a combined minimum total area of 72-inch<sup>2</sup>. This clearance requirement is applicable for washer and dryer pair installation.

For washer's clearance requirement, see the washer's user manual.

### Dimensions



### 3-Way Venting

#### 10 Preset Drying Cycles:

Normal, Heavy Duty, Permanent Press, Bedding, Delicates, Sanitize, Time Dry, Air Fluff, Quick Dry, Wrinkle Release

#### 7 Additional Drying Options:

Mixed Load Bell, Wrinkle Prevent, Adjust Time (Up), Adjust Time (Down), Child Lock, Sound On/Off, Smart Care

#### 4 Temperature Levels:

High, Medium, Low, Extra Low

#### 4 Dry Levels:

Very Dry, More Dry, Normal Dry, Damp Dry

#### Warranty

One (1) Year Parts and Labor

#### Product Dimensions & Weight (WxHxD)

Dimensions: 27" x 44" x 30<sup>1</sup>/<sub>4</sub>"

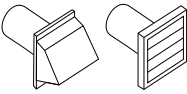
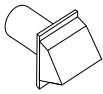
Weight: 110.2 lbs

#### Shipping Dimensions & Weight (WxHxD)

Dimensions: 29<sup>9</sup>/<sub>16</sub>" x 46<sup>7</sup>/<sub>8</sub>" x 31<sup>3</sup>/<sub>16</sub>"

Weight: 119.0 lbs

Gas	Model #	UPC Code
Platinum	DVG45T3400P	887276440361
Electric		
Platinum	DVE45T3400P	887276440354
Matching Washer		
Platinum	WA45T3400AP	887276440385
Accessories		
Vent Kit	DV-2A	887276146416

	Recommended	Use only for short-run installation
Weather hood type	 4"	 2.5"
Number of 90° elbows	Rigid	Rigid
0	80 ft.	74 ft.
1	68 ft.	62 ft.
2	57 ft.	51 ft.
3	47 ft.	41 ft.