



36" COUNTER DEPTH REFRIGERATOR WITH DUAL REVEAL™ DOORS

DRF36C700



AVAILABLE MODELS

DRF36C700SR Silver Stainless
DRF36C700MT Graphite Stainless

FEATURES & BENEFITS

- Dual Reveal™ doors
- FlexZone® customizable storage system
- Dual ice maker with cubed ice and Ice Bites™
- Beverage Center with interior water pitcher and water dispenser
- Crisper+™ and Flex Crisper™
- Triple cooling system with 3 evaporators
- Metal Cooling stainless steel back interior
- Hidden LCD display control panel with SmartThings® Wi-Fi control
- Dedicated wine rack
- 15 year warranty on digital inverter compressor
- LED lighting
- R600a refrigerant

WARRANTY

FULL COVERAGE	2 YEARS
SEALED SYSTEM, PARTS AND LABOR	6 YEARS
SEALED SYSTEM, PARTS ONLY	12 YEARS
COMPRESSOR, PARTS ONLY	15 YEARS

CONTROLS

CONTROL TYPE	DIGITAL INTERIOR
WI-FI + SMARTTHINGS®	YES
SABBATH MODE	YES

FEATURES

TOTAL CAPACITY (CU. FT.)	22.8
FLEXZONE® CONVERTIBLE COMPARTMENT TEMPERATURE	-8°F TO 39°F
PUSH-TO-OPEN™	NO
WATER DISPENSER	INTERIOR LEFT DOOR BEVERAGE CENTER
ICE MAKER	CUBED ICE AND ICE BITES™
IQ REMOTEVIEW™ CAMERA	NO
DEODORIZING FILTER	YES
LED LIGHTING	YES
INTERIOR MATERIAL	METAL COOLING (STAINLESS STEEL BACK WALL)
DIGITAL INVERTER COMPRESSOR	YES
REFRIGERANT	R600a
CRISPER DRAWERS	FLEX CRISPER™, CRISPER+™
FREEZER DRAWERS	2
DOOR BINS	6 (REFRIGERATOR), 6 (FREEZER)
SHELVES	4 (REFRIGERATOR), 4 (FREEZER)
DOOR ALARM	YES

REFRIGERATOR

REFRIGERATOR CAPACITY (CU. FT.)	14
REFRIGERATOR TEMPERATURE	34°F TO 44°F
POWER COOL	YES
FLEX CRISPER™ DRAWER	YES
CRISPER+™ DRAWER	YES

FREEZER

FREEZER CAPACITY (CU. FT.)	8.8
FREEZER TEMPERATURE	-8°F TO 5°F
POWER FREEZE	YES

WEIGHTS & DIMENSIONS

SHIPPING WEIGHT (LBS.)	359
NET WEIGHT (LBS.)	337
PRODUCT DIMENSIONS (W X H X D IN INCHES)	35-7/8 X 71-7/8 X 28-1/2

TECHNICAL DETAILS

ELECTRICAL REQUIREMENTS	115 - 120V, 60 HZ, 10A
-------------------------	------------------------

ACCESSORIES

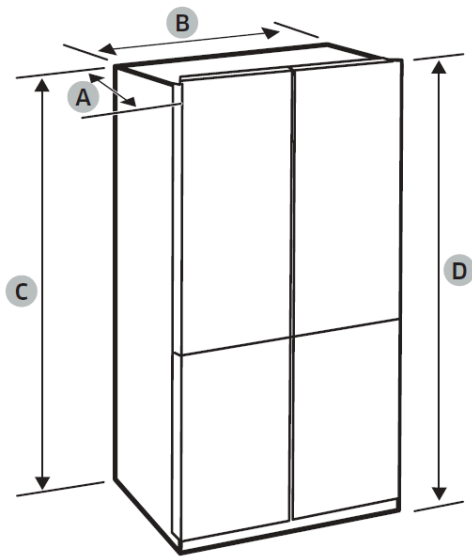
RAC00WFAAAA/DA	Water Filter for Refrigeration
RAC00DFAAAA/DA	Air Filter for Refrigeration DRF/DRR/DRW, Set of 6

*7" © 2021. Dimensions are for planning purposes only. For complete details, see Installation Instructions packed with product. Specifications subject to change without notice.

For product questions, visit www.dacor.com or call Customer Assurance at (833) 83-ELITE.

Specification revised 6/2021

Appliance must be enable iQ Control. Wi-Fi & SmartThings® app required. Compatible smart appliance required. Features subject to change. Details and privacy info at <https://www.dacor.com/about-us/privacy-policy>.

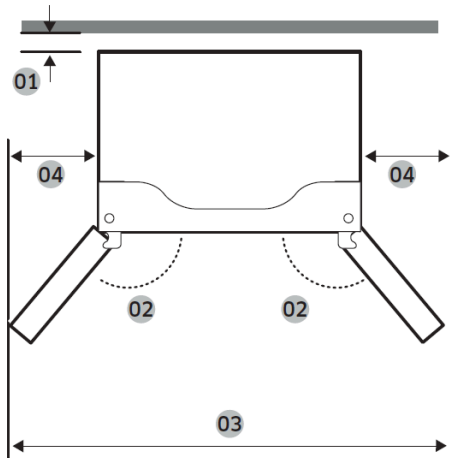


CLEARANCE

See the following figures and tables for installation space requirements

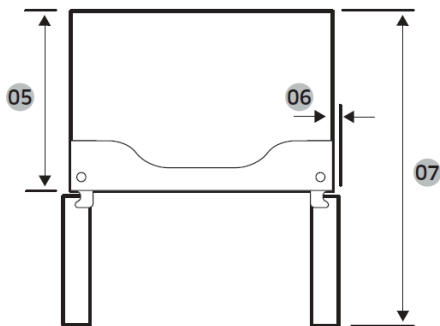
APPLIANCE DIMENSIONS

DEPTH (A)	28-1/2" (723 mm)
WIDTH (B)	35-7/8" (912 mm)
HEIGHT WITHOUT HINGE (C)	70-3/4" (1,797 mm)
OVERALL HEIGHT (D)	71-7/8" (1,825 mm)



INSTALLATION

01	More than 2" (50 mm) recommended
02	125°
03	58" (1,472 mm)
04	11-1/8" (282 mm)
05	24" (610 mm)
06	1-7/8" (47 mm)
07	43" (1,093 mm)



NOTE

The measurements in the tables may differ slightly from the actual measurements, depending on the measuring and rounding method.