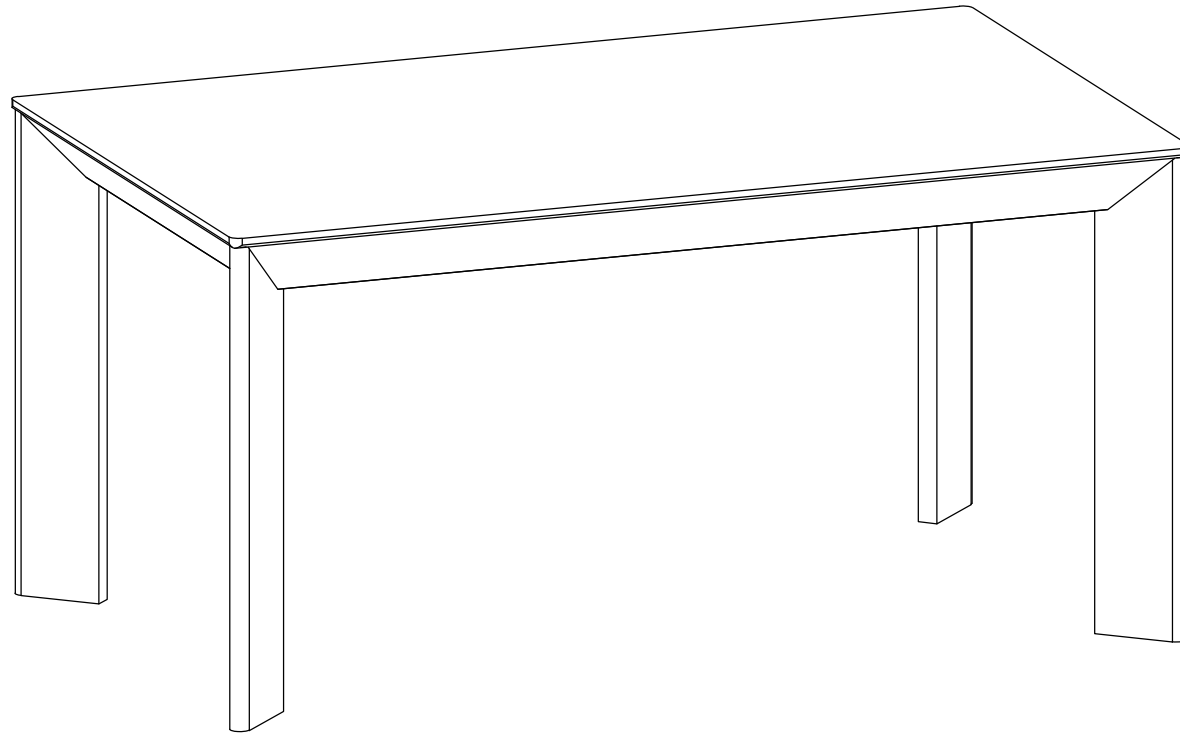


MOE'S

home collection

ASSEMBLY INSTRUCTIONS.




ANGLE MARBLE DINING TABLE
RECTANGULAR SMALL
RP-1026-18





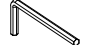
THANK YOU FOR YOUR PURCHASE!

PARTS AND HARDWARE.

PART LIST

NO.	DESCRIPTION	IMAGE	QTY
P1.	Marble Top		1
P2.	Top Frame		2
P3.	Leg		4

HARDWARE LIST

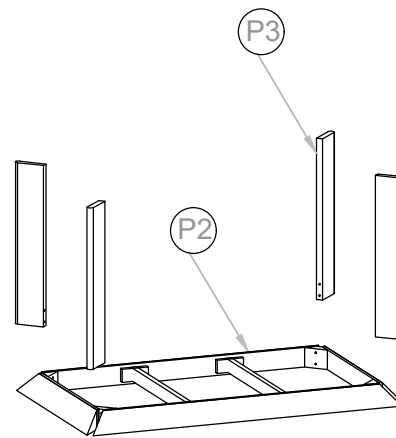
NO.	DESCRIPTION	IMAGE	QTY
H1.	Allen bolt -M8-60MM		8
H2.	Washer		8
H3.	Allen key-6MM		1

NOTES.

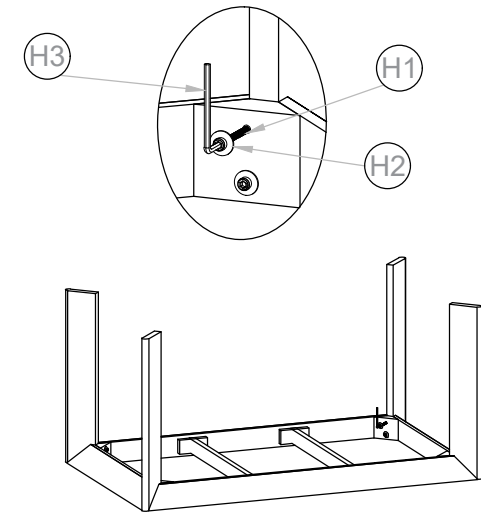
Thank you for purchasing this quality Product! Be sure to check all packing material carefully for small part that may have come loose inside the carton during shipping.

CAUTION: The item is heavy, assembly should be performed by four people.

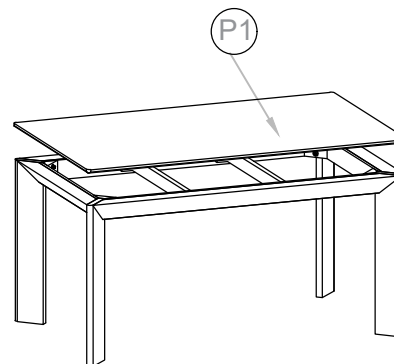
STEP 1.



STEP 2.



STEP 3.



STEP 4.

