

PVM9179SR/ER/BR/FR/DR

GE Profile™ Series 1.7 cu. ft. Convection Over-the-Range Microwave Oven with Air Fry

DIMENSIONS AND INSTALLATION INFORMATION (IN INCHES)

HOOD EXHAUST DUCT: Outside ventilation requires a HOOD EXHAUST DUCT. Read the following carefully.

EXHAUST CONNECTION: The hood exhaust has been designed to mate with a standard 3-1/4" x 10" rectangular duct. If a round duct is required, a rectangular-to-round transition adaptor must be used. Do not use less than a 6" diameter duct.

REAR EXHAUST: If a rear or horizontal exhaust is to be used, care should be taken to align exhaust with space between studs, or wall should be prepared at the time it is constructed by leaving enough space between the wall studs to accommodate exhaust.

MAXIMUM DUCT LENGTH: For satisfactory air movement, the total duct length of 3-1/4" x 10" rectangular or 6" diameter round duct should not exceed 140 equivalent feet.

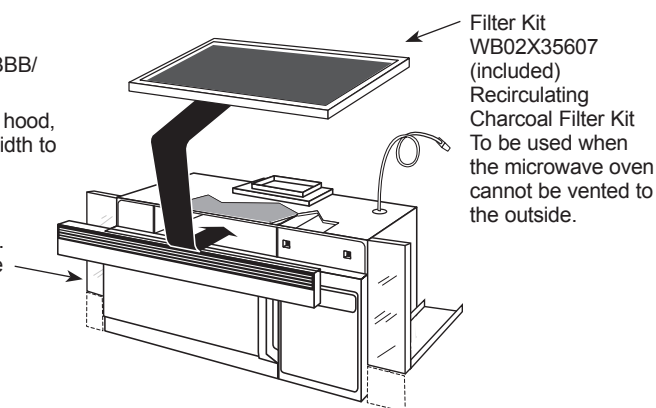
ELBOWS, TRANSITIONS, WALL AND ROOF CAPS, etc., present additional resistance to airflow and are equivalent to a section of straight duct which is longer than their actual physical size. When calculating the total duct length, add the equivalent length of all transitions and adaptors plus the lengths of all straight duct sections. The chart below shows the approximate feet of equivalent length of some typical ducts.

DUCT	EQUIVALENT FEET
A. Rectangular-To-round Transition Adaptor	5 ft.
B. Wall Cap	40 ft.
C. 90° Elbow	10 ft.
D. 45° Elbow	5 ft.
E. 90° Elbow	25 ft.
F. 45° Elbow	5 ft.
G. Roof Cap	24 ft.

OPTIONAL ACCESSORIES

Filler Panel Kits JX36BWW/BBB/
BSS/BES/BDS

When replacing a 36" range hood, this kit fills in the additional width to provide a custom built-in appearance. For installation between cabinets only; not for end-of-cabinet installation. Each kit contains two 3"-wide filler panels.



PVM9179SR/ER/BR/FR/DR

GE Profile™ Series 1.7 cu. ft. Convection Over-the-Range Microwave Oven with Air Fry

FEATURES AND BENEFITS

Air Fry – Achieve crispy, never greasy, fried food results in your oven without the oil

1.7 cu. ft. capacity – 950 Watts (IEC-705 test procedure)

Fast Cook – Convection and microwave cooking combine to deliver fast oven-quality results

Sensor cooking controls – Automatically adjusts time and power for delicious cooking results

Chef Connect – Three options with a single touch. For instant convenience, choose when to automatically sync clocks and the range elements with the microwave's surface light and vent

LED cooktop lighting – Brighten the kitchen while saving on energy and maintenance costs

Stainless steel interior – Makes cleaning spills and splatters a snap

Convection rack – Achieve golden-brown results with a specially designed rack that allows air to circulate around foods for even heat distribution during convection cooking

Upfront charcoal filter with indicator light – Light indicates when odor-removing charcoal filter needs to be replaced

Removable oven rack – Full-width cooking rack allows for multi-level cooking simultaneously, allowing you to cook large quantities of your family's favorites

Three-speed, 300-CFM venting system – Removes smoke, steam and odors

My Cycle - Create a custom cook time setting, and with one touch, cook your favorite dish just the way you like

Convection cooking – Choose this setting when baking or browning is desired

Model PVM9179SRSS – Stainless steel

Model PVM9179FRDS – Black slate

Model PVM9179ERES – Slate

Model PVM9179DRBB – Black

Model PVM9179BRTS – Black Stainless

Model PVM9179DRWW – White

