

Café™ Built-In Microwave Drawer Oven

CWL112P4RW5 / CWL112P2RS1 / CWL112P3RD5

CAFÉ



ALSO
AVAILABLE IN



CWL112P2RS1
Stainless Steel



CWL112P3RD5
Matte Black

FEATURES & BENEFITS

Sensor Cook & Sensor Reheat - Microwave sensor cooking automatically adjusts the time and power for delicious results with packaged foods, leftovers and more.

Glass Touch Controls - Sleek touch controls make this smart microwave easy to use and clean.

Drawer Door - This easy open microwave extends like a cabinet drawer and sits lower than a typical countertop unit for added convenience and easy access.

Electronic Open - Simply push a button to open the handleless microwave door.

1.2 cu. ft. - This mid-sized microwave has plenty of capacity thanks to the innovative drawer design.

Convenient Controls - Quickly microwave your favorites with ease using intuitive cooking controls.

FEATURES

Control Type	Glass Touch
Electronic Digital Display with Clock	Yes
Style	Built-In
Interior Oven Light	Incandescent
Power Levels	10
Microwave Sensor Cooking Controls	Popcorn Potato Chicken Fish Meat Vegetable - Fresh Vegetable - Frozen Vegetable - Canned
Control Features	Add 30 Sec Mute On/Off Start/Pause Clear/Off Lock controls Power Level Timer Set Clock Weight/Time Defrost Cook Time Open Close Melt Soften Beverage Popcorn Sensor Reheat Sensor Cook
Microwave Oven Interior	Coated
Microwave Watts (IEC-705)	1,000W

CAPACITY

Total Capacity (cubic feet)	1.2 cu ft
-----------------------------	-----------

TECHNICAL DETAILS

Electrical Input - 120V Watts	1500
Input Volts/Hertz	120/60

WEIGHTS & DIMENSIONS

Approximate Shipping Weight	80 lb
Cabinet Width	24 in
Cavity (W x H x D)	17-1/4 x 7-1/8 x 17-1/2
Net Weight	69 lb
Overall Depth	23-5/16 in
Overall Height	15-15/16 in
Overall Width	23-7/8 in

WARRANTY

Parts warranty	Limited 2-year entire appliance Limited 5-year magnetron tube
Labor warranty	Limited 2-year entire appliance
Warranty notes	See written warranty for full details

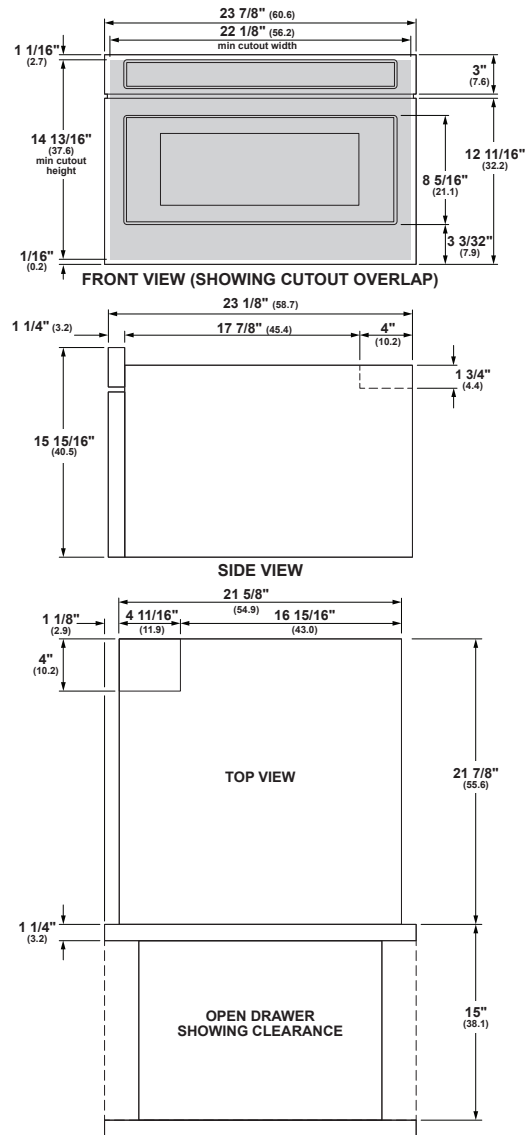
Café™ Built-In Microwave Drawer Oven



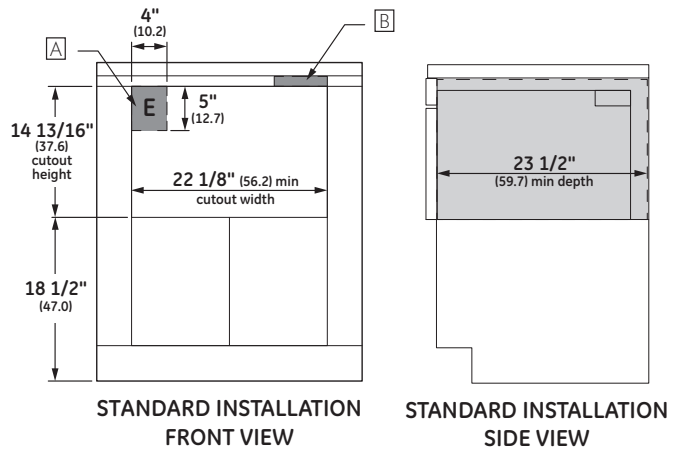
CWL112P4RW5 / CWL112P2RS1 / CWL112P3RD5

DIMENSIONS AND INSTALLATION INFORMATION (IN INCHES)

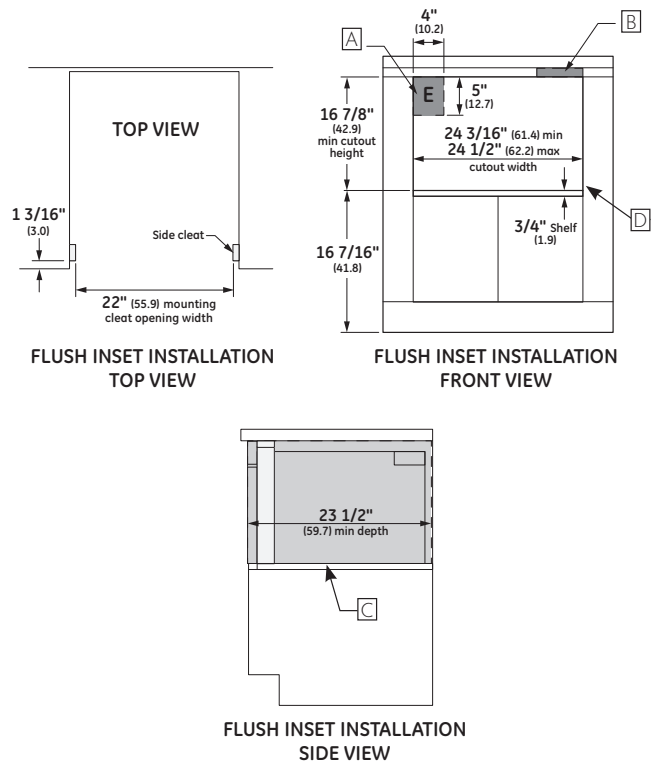
OVERALL DIMENSIONS



STANDARD INSTALLATION



FLUSH INSTALLATION



- A** Junction box location (May also be located in adjacent cabinet.)
- B** To reduce the risk of tipping of the drawer, the Anti-Tip block must be properly installed located 14-13/16" above the floor on which the Microwave Drawer will sit. The Anti-Tip block must be provided and pre-installed by the purchaser of the product or builder before install can be done. The Anti-Tip block prevents serious injury that might result from spilled hot liquids.
- C** Cleats may be visible and should be finished to match cabinetry.
- D** The face of the shelf must sit 1-7/8" back from the face of the cabinet. See installation instructions for further details including the installation of 24" flush mount deflector vent.

Dimensions in parentheses are in centimeters unless otherwise noted. Actual product dimensions may vary due to manufacturing tolerances.