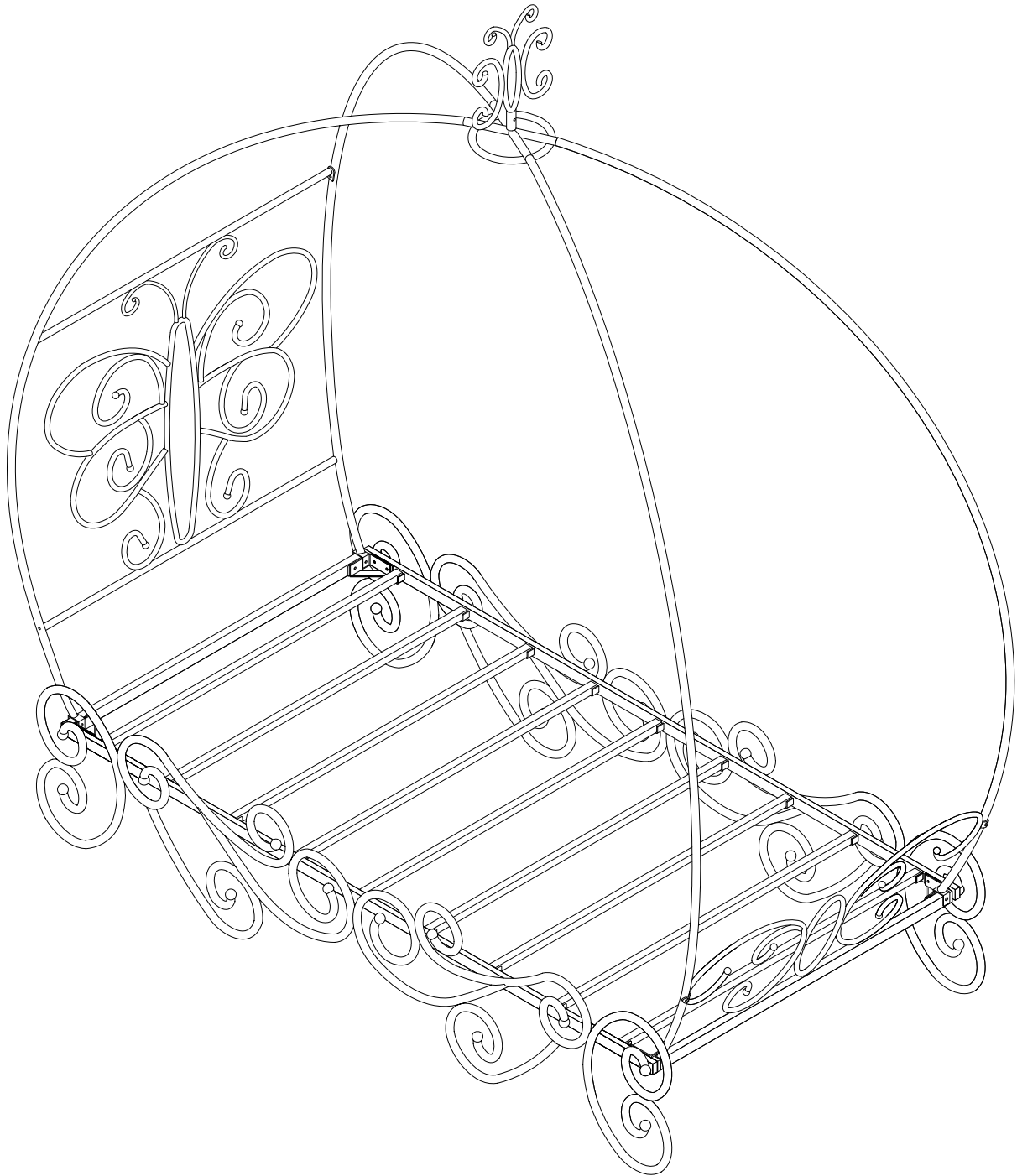


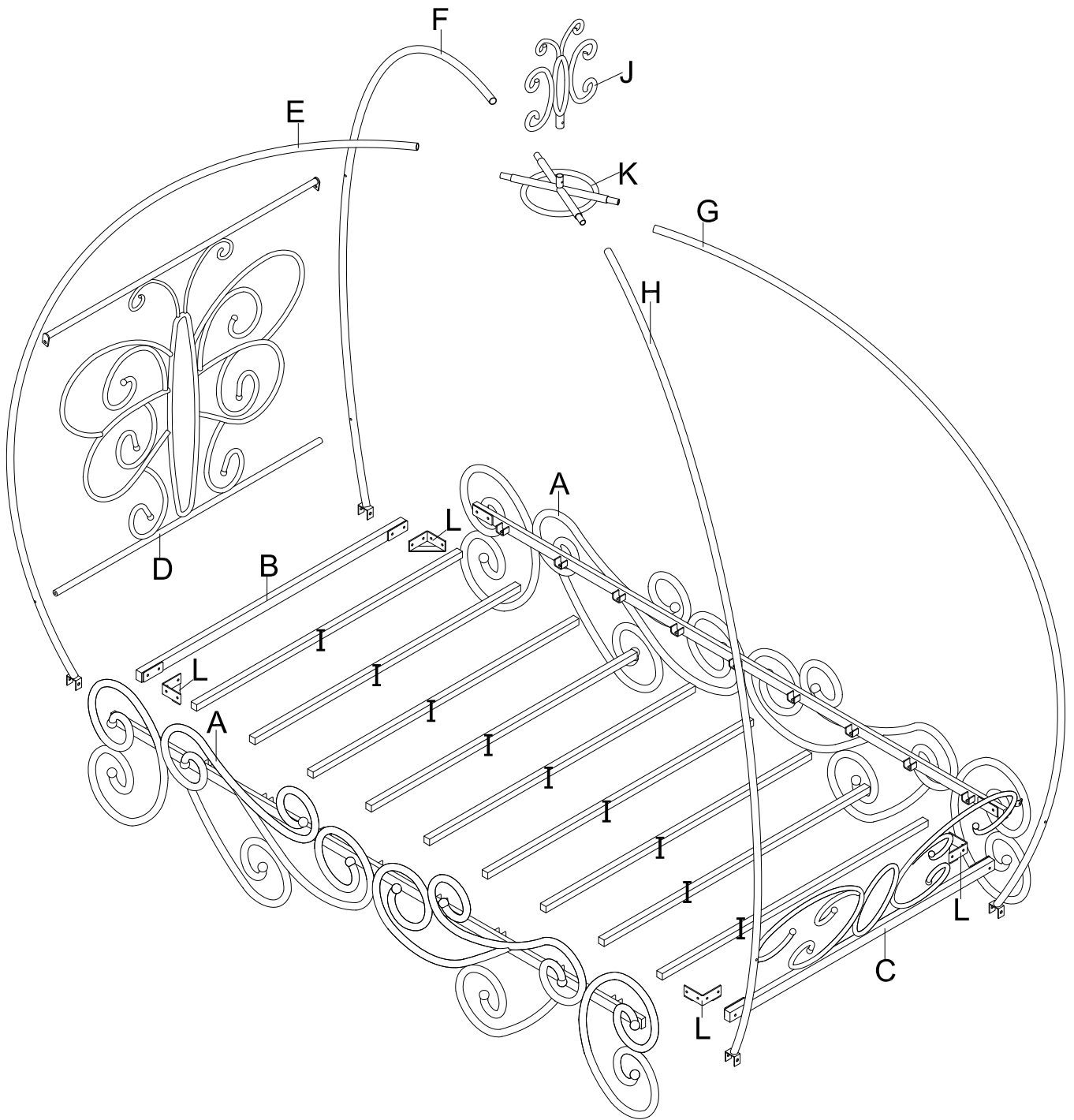
# **ASSEMBLY INSTRUCTIONS**

ITEM NO.:30530T

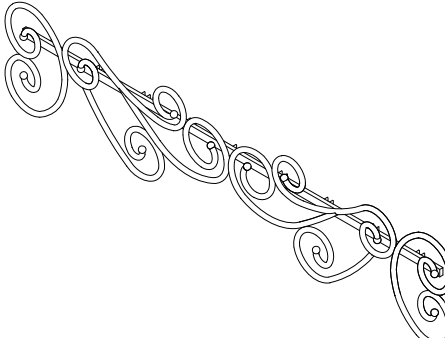
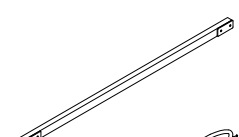
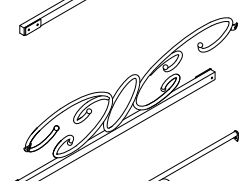
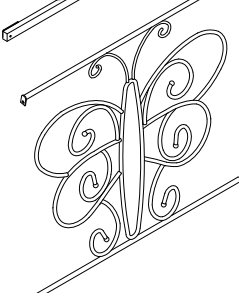
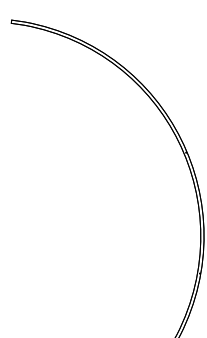
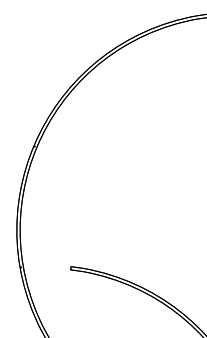
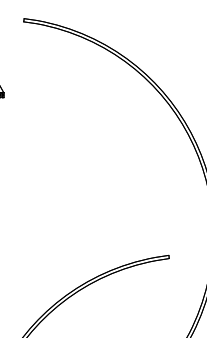
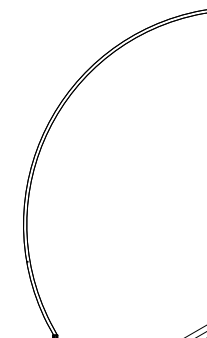
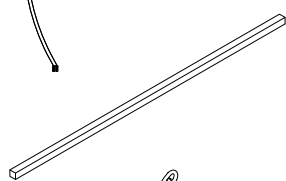

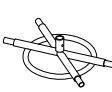



**Do not tighten screws until completely assembled.**

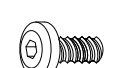

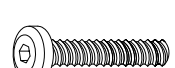
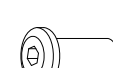

# PARTS IDENTIFICATION

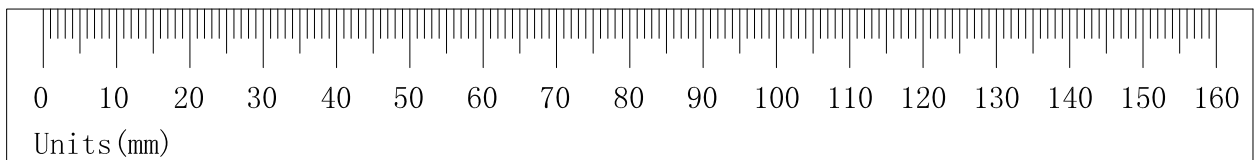


# PARTS IDENTIFICATION

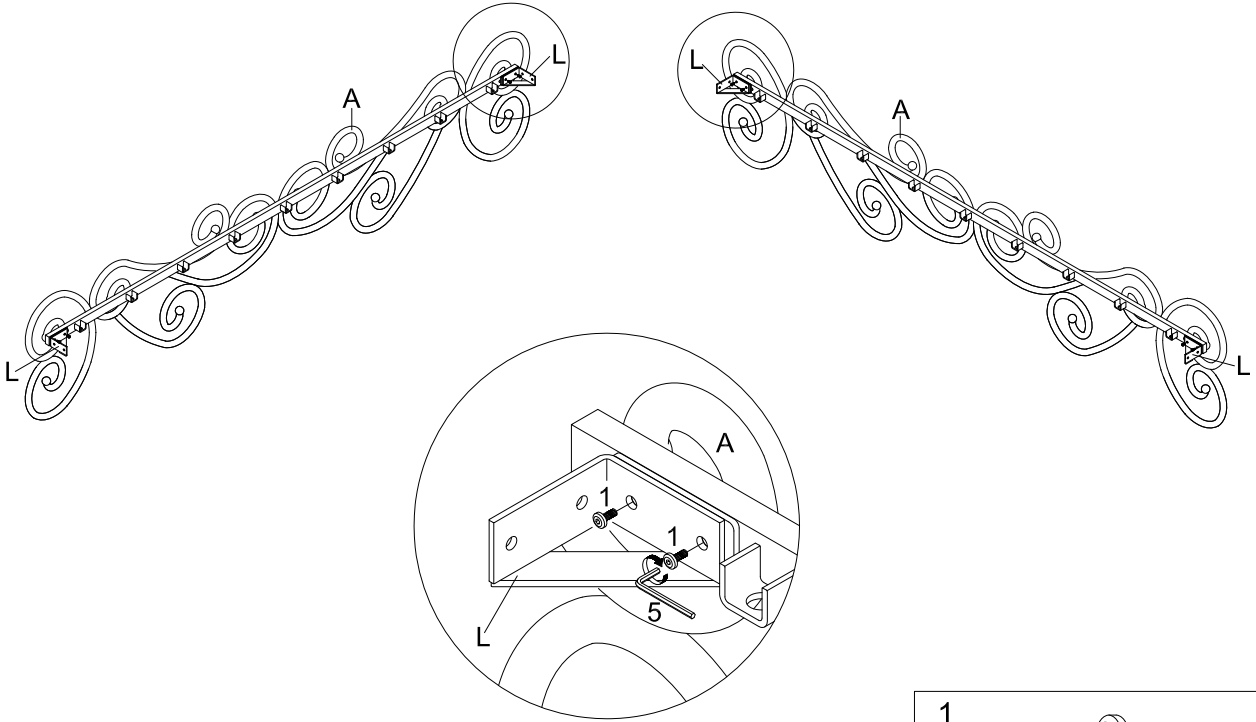
<p><b>A</b>  2pcs</p> <p><b>B</b>  1pc</p> <p><b>C</b>  1pc</p> <p><b>D</b>  1pc</p> <p><b>E</b>  LEFT 1pc</p>	<p><b>F</b>  RIGHT 1pc</p> <p><b>G</b>  LEFT 1pc</p> <p><b>H</b>  RIGHT 1pc</p> <p><b>I</b>  9pcs</p> <p><b>J</b>  1pc</p> <p><b>K</b>  1pc</p> <p><b>L</b>  4pcs</p>
--	---

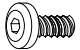
## HARDWARE LIST

<p>1  21pcs M6x15</p>	<p>2  4pcs M6x25</p>	<p>3  2pcs M6x30</p>
<p>4  4pcs M6x18</p>	<p>5  2pcs 4x4</p>	

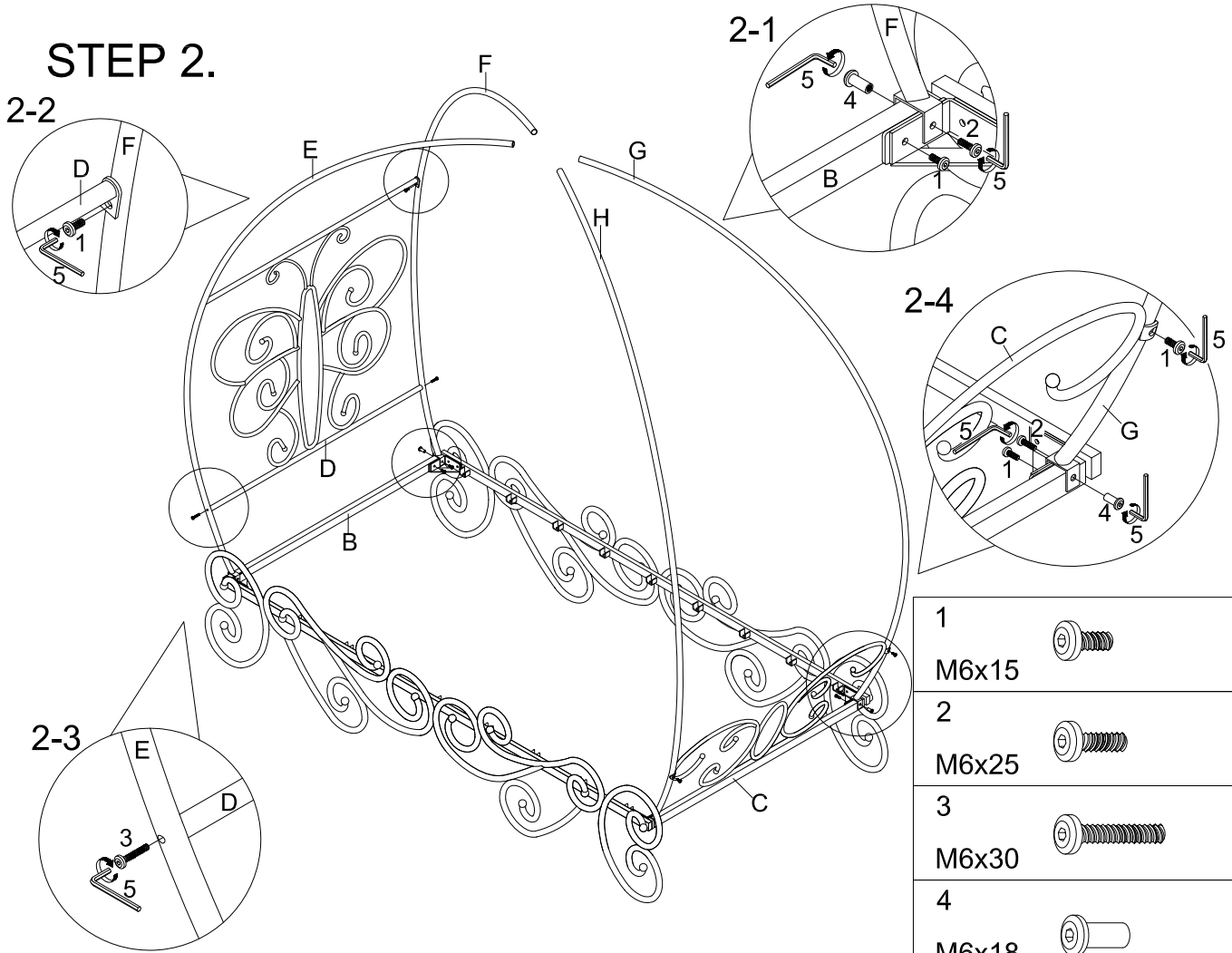


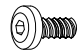

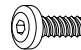

# STEP 1.



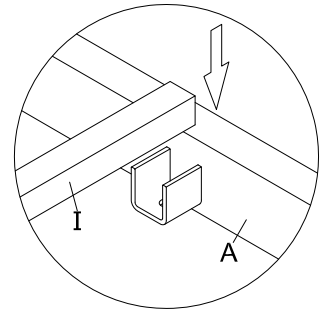
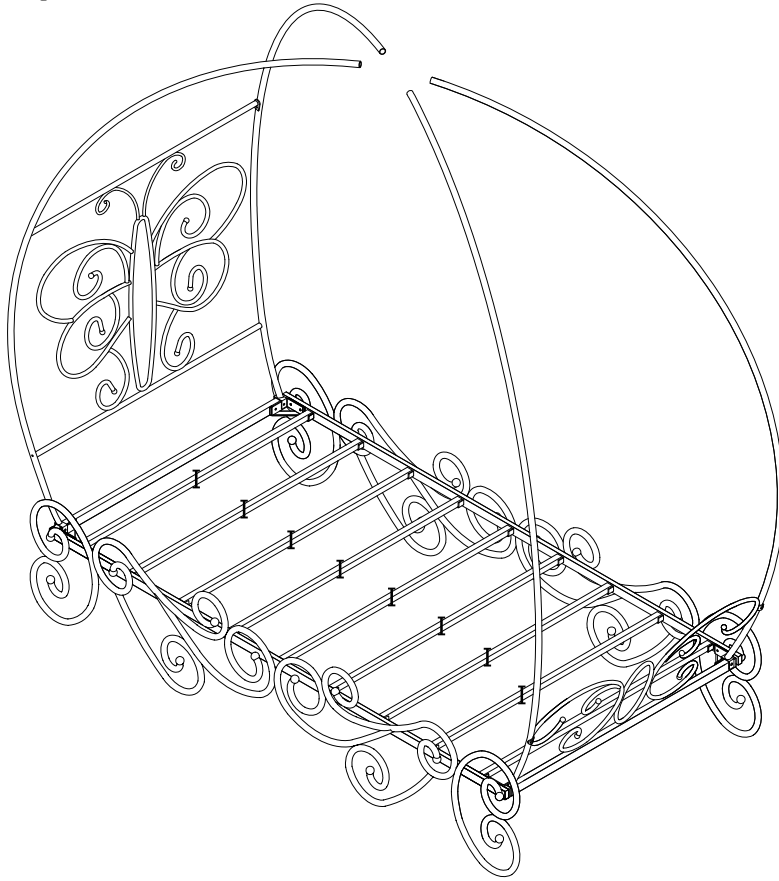
1		8pcs
M6x15		

# STEP 2.

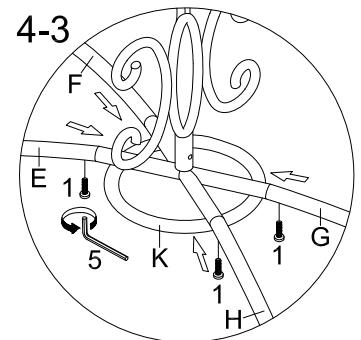
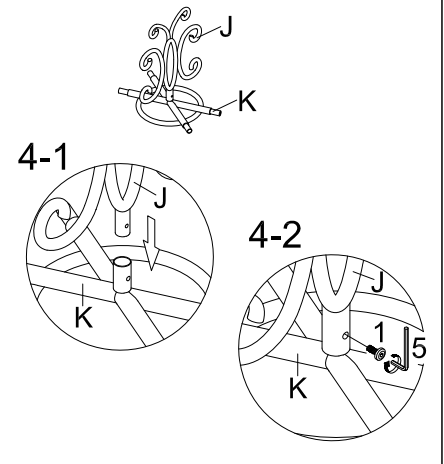
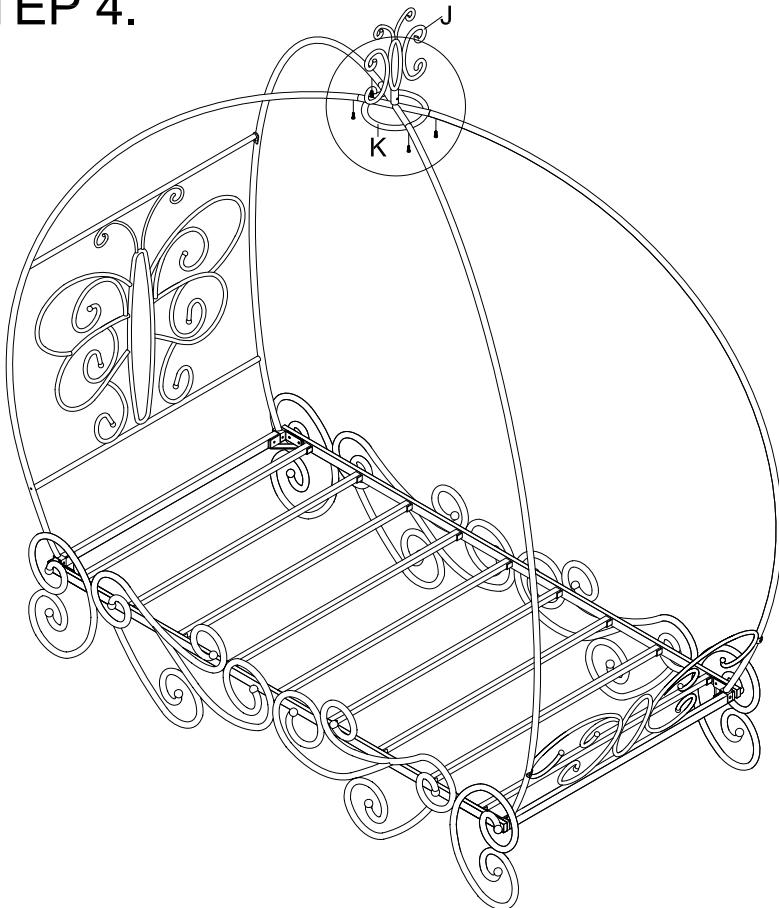


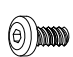
1		8pcs
M6x15		
2		4pcs
M6x25		
3		2pcs
M6x30		
4		4pcs
M6x18		

### STEP 3.



### STEP 4.



1  M6x15 5pcs