

# Integrated Column Freezer, 30", Ice

Series 9 | Integrated

Panel Ready | Right Hinge

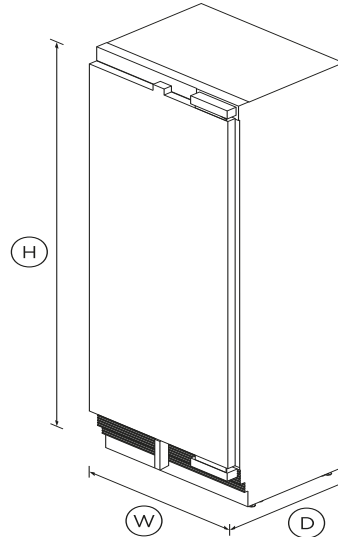


Install it separately or pair with another Column for seamless kitchen integration - this model is right hinge with white interior.

- ActiveSmart™ technology helps keep food fresher for longer by constantly maintaining the ideal temperature
- Two separate Variable Temperature Zones: each with Freeze, Soft Freeze or Deep Freeze
- Internal ice maker with boost for busy times
- Customize with your own kitchen cabinetry or purchase our stainless steel door panel accessory

## DIMENSIONS

Height	84"
Width	29 3/4"
Depth	24"



## FEATURES & BENEFITS

### Variable Temperature Zones

Food is stored in two separate zones. You have the choice of three food modes: Freeze -7°F to 7°F, Soft Freeze 14°F to 18°F and Deep Freeze is fixed at -13°F.

### Mix & match

Integrated Column Refrigeration gives you the freedom to mix and match. Different sized Column Fridges and Freezers can be installed separately or paired. Finish them with our stainless steel door panels or Customize to match your own kitchen cabinetry.

### Clever energy

Our Energy Star-certified ActiveSmart™ Refrigerators & Freezers adapt to daily use by cooling and defrosting only when needed. This means your refrigerator uses the energy it needs without compromising on food care.

### Appealing illumination

Bright LEDs light up the ceiling, shelves, bins and tray in both refrigerator and freezer, making it easy to find your food and creating a welcoming glow in your kitchen for those midnight snacks.

### Design quality

The premium design and quality finish includes a white or stainless steel interior lining, as well as full-extension metal shelf runners for easy access and robust glass shelving.

### Easy install

Integrated Column Refrigerators and Freezers have been developed to make their installation easy. The joiner kit is included when pairing refrigerator and freezers. All models come with front adjustable levelling feet and they've been designed to easily slide into place as separate units.

### Perfect fit

These models fit flush and have only 1/8" / 3mm gaps around them with no visible hinges or grilles. Our Integrated Column models can be seamlessly hidden behind your cabinetry or you can purchase our stainless steel door panel.

## SPECIFICATIONS

### Accessories

30" Stainless steel toe kick	AKRS3084
48" Stainless steel toe kick	AKRS4804
54" Stainless steel toe kick	AKRS5404
60" Stainless steel toe kick	AKRS6004
66" Stainless steel toe kick	AKRS6604

72" Stainless steel toe kick	<b>AKRS7204</b>
78" Stainless steel toe kick	<b>AKRS7804</b>
84" Stainless steel toe kick	<b>AKRS8404</b>
Contemporary round handle	<b>AHS-RD84</b>
Contemporary square handle	<b>AHD3-RD84</b>
Hinge change (from left hinge)	<b>848190</b>
Hinge change (from right hinge)	<b>848189</b>
Joiner kit	<b>AJ-RS84LR</b>
Professional round flush handle	<b>AHP3RDSF</b>
Professional round handle kit	<b>AHC-RD84</b>
Professional square handle kit	<b>AHV2-RD84</b>
Square fine aluminium handle	<b>AHD5RDSF</b>
Square fine black handle kit	<b>AHD5RDSFB</b>
Stainless steel door panel	<b>RD3084R4D</b>

**Capacity**

Volume	<b>15.6cu ft</b>
Volume freezer	<b>15.6cu ft</b>

**Consumption**

Energy rating	<b>Energy star</b>
Energy usage	<b>491kWh/year</b>

**Features**

Adjustable door shelves	<b>4</b>
Adjustable glass cantilevered	<b>•</b>
Adjustable glass shelves	<b>3</b>

**Freezer Features**

Automatic ice maker	<b>•</b>
---------------------	----------

Bottle chill	<b>•</b>
Door alarm	<b>•</b>
Fast freeze	<b>•</b>
Freezer bins	<b>4</b>
Ice Boost	<b>•</b>
LED bin lighting	<b>•</b>
LED ceiling lighting	<b>•</b>
LED side lighting	<b>•</b>
SmartTouch interface at	<b>•</b>

**Performance**

ActiveSmart™ technology	<b>•</b>
Adaptive defrost	<b>•</b>
Dual evaporator	<b>•</b>
Frost free	<b>•</b>
Inverter controlled compressor	<b>•</b>
Sabbath mode	<b>•</b>
Variable temperature zones	<b>2</b>

**Power requirements**

Rated current	<b>10A</b>
Supply frequency	<b>60Hz</b>
Supply voltage	<b>115V</b>

**Product dimensions**

Depth	<b>24"</b>
Height	<b>84"</b>
Width	<b>29 3/4"</b>

**Warranty**

Parts and labor	<b>2 years</b>
Sealed system parts only	<b>5 years</b>

SKU	<b>26133</b>
-----	--------------

The product dimensions and specifications in this page apply to the specific product and model. Under our policy of continuous improvement, these dimensions and specifications may change at any time. You should therefore check with Fisher & Paykel's Customer Care Centre to ensure this page correctly describes the model currently available. ? Fisher & Paykel Appliances Ltd 2020

---

Other product downloads available at [fisherpaykel.com](http://fisherpaykel.com)

- [↓](#) User Guide
- [↓](#) User Guide
- [↓](#) Energy Label
- [↓](#) Installation Guide
- [↓](#) Installation Guide
- [↓](#) Installation Guide
- [↓](#) Install Guide - Water Filter Replacement
- [↓](#) Specification Guide Integrated Column Freezer
- [↓](#) Data Sheet Integrated Column Freezer
- [↓](#) Data Sheet Integrated Column Freezer Dual Install (18" + 30")
- [↓](#) Data Sheet Integrated Column Freezer Dual Install (24" + 30")
- [↓](#) Data Sheet Integrated Column Freezer Dual Install (30" + 30")
- [↓](#) Planning Guide Integrated Columns
- [↓](#) Key Purchase Decisions Integrated Columns



**A PEACE OF MIND SALE**

24 Hours 7 Days a Week Customer Support

T 1.888.936.7872 **W** [www.fisherpaykel.com](http://www.fisherpaykel.com)