

# Insert Range Hood, 24"

Series 5 | Integrated

Stainless Steel

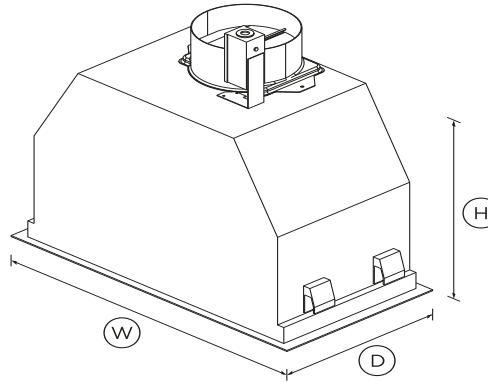


With edge-to-edge extraction, this efficient, stylish range hood is perfectly hidden away in your cabinetry.

- With four fan speeds, select the perfect extraction rate for your cooking
- Perimeter extraction creates a stylish look with efficient removal of steam and odors
- Powerful 600CFM maximum airflow

## DIMENSIONS

<b>Height</b>	<b>13 3/4"</b>
<b>Width</b>	<b>20 7/8"</b>
<b>Depth</b>	<b>11"</b>



## FEATURES & BENEFITS

### Quiet and effective

This vent hood features four fan speeds providing powerful extraction to quickly remove odours and steam. As odors can linger in the kitchen well after cooking is finished, the timer keeps the vent hood working for up to 15 minutes before automatically turning off.

### Simple controls

This Fisher & Paykel vent hood features a sleek and easy to use soft-touch control panel. Lights provide superb illumination over

the entire cooking surface.

### Easy cleaning

The stainless steel finish is easily wiped clean. Multi-layered, dishwasher safe filters trap grease effectively and can easily be removed for cleaning.

### Complementary Design

This vent hood can be built into your cabinetry for a seamless look. Its stainless steel finish is designed to match the rest of Fisher & Paykel's kitchen appliance family.

## SPECIFICATIONS

### Accessories

Light bulb	<b>791961</b>
------------	---------------

### Fan ratings

Maximum air movement	<b>600CFM</b>
Maximum sound rating	<b>67dBA</b>
Speed 3 sound rating	<b>63dBA</b>

### Installation and cleaning

Air outlet size	<b>6"</b>
Dishwasher safe filters	<b>2</b>
Ducted	<b>Top extraction</b>

### Performance

Extraction type	<b>Perimeter</b>
Fan speeds	<b>4</b>
Filter type	<b>Mesh</b>
Number of filters	<b>2</b>

**Power requirements**

Lighting power	50W
Motor power	530W
Supply frequency	60Hz
Supply voltage	120V
Total Power	630W

**Product dimensions**

Depth	11"
Height	13 3/4"
Width	20 7/8"

**Product information**

Control type	soft-touch button
--------------	-------------------

**Ventilation features**

Light type	LED
Timer function	•

**Warranty**

Parts and labor	2 years
-----------------	---------

SKU	50085
-----	-------

**Other product downloads available at fisherpaykel.com**

- [↓](#) User Guide
- [↓](#) Installation Guide
- [↓](#) Data Sheet Insert Range Hood

**A PEACE OF MIND SALE**

24 Hours 7 Days a Week Customer Support

T 1.888.936.7872 W [www.fisherpaykel.com](http://www.fisherpaykel.com)

The product dimensions and specifications in this page apply to the specific product and model. Under our policy of continuous improvement, these dimensions and specifications may change at any time. You should therefore check with Fisher & Paykel's Customer Care Centre to ensure this page correctly describes the model currently available. ? Fisher & Paykel Appliances Ltd 2020