

Gas Range, 36", 5 Burners

Series 7 | Contemporary

Stainless Steel

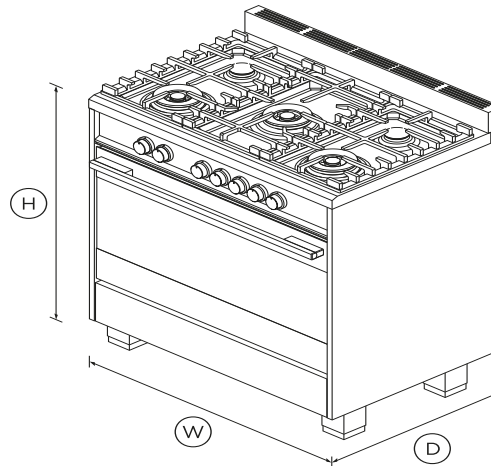


Make your range a focal point. With a large capacity oven and five burners, this is the perfect way to cook for a crowd.

- Five burner gas cooktop, including one dual ring and two triple ring wok burners
- Gas oven with large 4.9 cu ft total capacity and three functions

DIMENSIONS

Height	35 3/4 - 37 1/4"
Width	35 7/8"
Depth	25 1/4"



FEATURES & BENEFITS

Performance power

Precise cooktop controls let you sear or stir fry over instant, powerful heat. Use the high burner power or simmer a delicate sauce using the gentlest of heats.

Design quality

This range has been carefully crafted in every detail from performance to durability using quality materials including the balanced soft-close door and rounded hob rail.

Large capacity

The large 4.9 cu ft capacity for this range gives you plenty of space to cook multiple dishes at the same time.

Easy cleaning

With its durable surface, your cooktop simply needs a quick wipe after cooking to keep it looking good as new for years to come.

SPECIFICATIONS

Accessories

2-pc grill system (Broil pan and	•
Broil pan	•
Broil rack	•
Chromed shelf runners	1 set
Full Extension Telescopic	2 sets (part 578744)
Kick strip, stainless steel	Part 81659
Small pot support	1 (part 533981 cast)

Burner ratings

Dual wok burner inner/outer	1000 - 18000BTU
Dual wok burner inner/outer	1000 - 18000BTU
Maximum burner power	18000 BTU
Semi-rapid burner (LPG)	1500 - 7600BTU
Semi-rapid burner (natural)	8000BTU
Total cooktop power	62000 BTU
Triple ring wok burner (LPG)	6100 - 12000BTU
Triple ring wok burner (natural)	6100 - 14000BTU

Capacity

Shelf positions	7
-----------------	---

Cleaning

- Acid resistant graphite enamel •
- Removable oven door •
- Removable shelf runners •

Controls

- Laser etched graphics •

Gas Requirements

- Supply Pressure (LPG) **11" W.C.P**
- Supply Pressure (natural gas) **4" W.C.P**

Oven features

- Auto re-ignition system •
- Concealed element •
- Electronic ignition •
- Full extension telescopic •
- Internal light **4 x 25W halogen (2 side & 2**
- Soft open/close door •
- Storage drawer •
- True convection •

Oven functions

- Bake •
- Broil •
- Convection bake •
- Number of functions **3**
- True convection •

Oven performance

CoolTouch door **Quadruple glazed**

Power requirements

Amperage **1A**
 Supply frequency **60Hz**

Product dimensions

Depth **25 1/4"**
 Height **35 3/4 - 37 1/4"**
 Width **35 7/8"**

Rangetop features

- LPG/Natural gas compatible •
- Sealed range top •

Rangetop Performance

Number of burners **5**

Safety

- ADA compliant •
- Advanced cooling system •
- Anti-tilt bracket •
- Balanced oven door •
- Full extension telescopic **2 sets (part 578744)**
- Full extension telescopic •
- Non-tip shelves •
- Spill containment **58 BTU**

SKU **81700**

The product dimensions and specifications in this page apply to the specific product and model. Under our policy of continuous improvement, these dimensions and specifications may change at any time. You should therefore check with Fisher & Paykel's Customer Care Centre to ensure this page correctly describes the model currently available. ? Fisher & Paykel Appliances Ltd 2020

Other product downloads available at fisherpaykel.com



User Guide



Installation Guide



A PEACE OF MIND SALE

24 Hours 7 Days a Week Customer Support

T 1.888.936.7872 **W**www.fisherpaykel.com