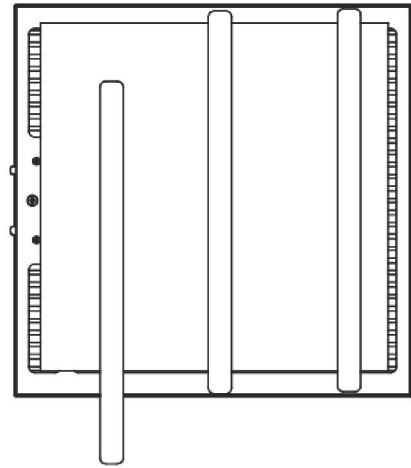
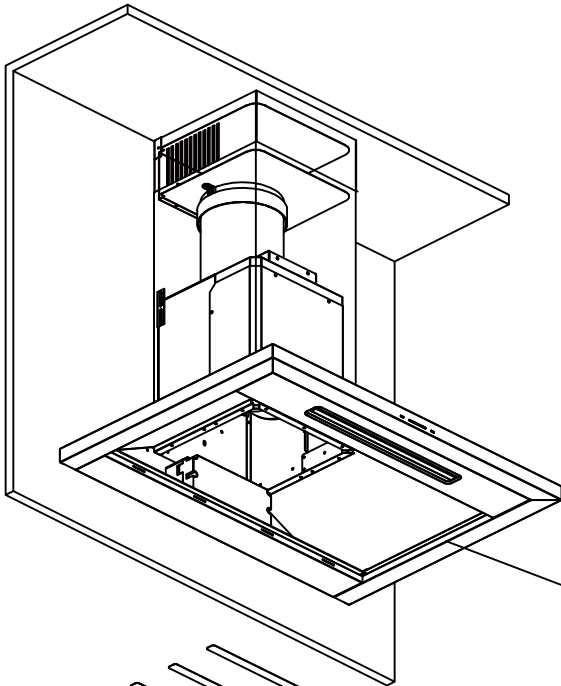


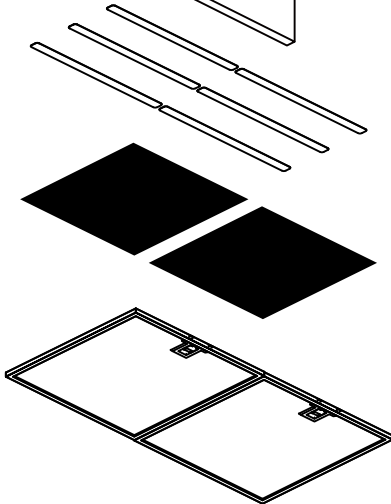
## ZRC-01AN

For use with models: ZAN-C

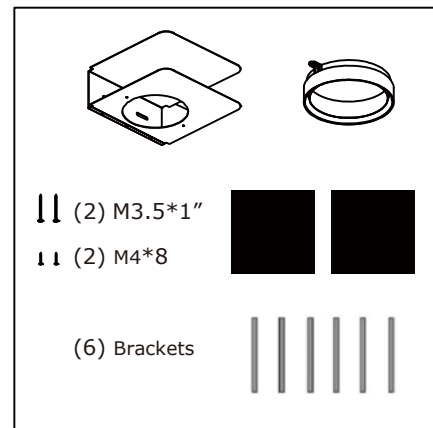


Place charcoal filter on back-side of baffle filter. And place filter brackets over charcoal filter and secure in place by tucking each end of bracket under the baffle filter frame. Re-install baffle filter.

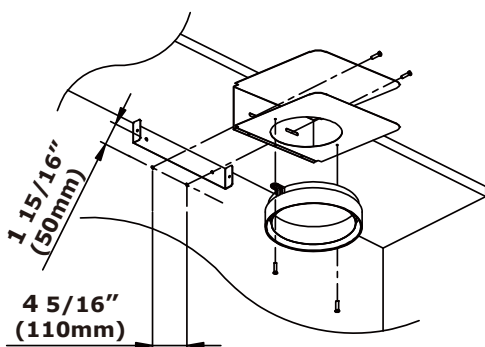
Remove all black foam from filter opening before installing the charcoal filter brackets.



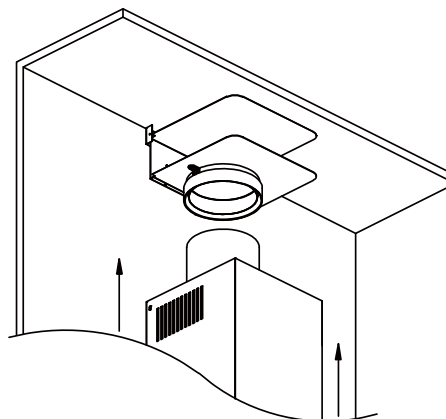
### INCLUDED MATERIALS



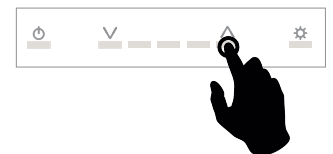
1



2



3



Follow instructions in hood manual to enable the "replace charcoal filter" indicator on the hood controls.