

8 SERIES MICROWAVE

1.2 Cubic Ft. • Drawer

F2412MVD8SS

FRONT



DRAWER



45° ANGLE



PRODUCT DIMENSIONS

Width	23.6in.	60cm
Height	14.9 in.	37.94cm
Depth	23.8 in.	60.6cm
Weight	70.5 lbs.	31.9kg
Capacity	1.2 cu. ft.	33.98L
Available Colors	Stainless Steel	

ADDITIONAL SPECS

Rated Voltage	120V-60Hz
Rated Input	1500W
Rated Output	1000W
Warranty Terms	2 Year
Certification	UL Certification

FEATURES:



TOUCH OPEN/CLOSE

Open and close your microwave with just the touch of a button.



1,000 WATT POWER

From small snacks, to a whole chicken, you'll have enough power for a variety of foods.



10 POWER LEVELS

Unrivaled flexibility with 10 unique power levels.



AUTO-COOK CONTROLS

Utilize the pre-set cooking menu to easily defrost, melt, or warm up your food.



INTERIOR LIGHT

Ultra bright interior light gives you a full view of your food.



CHILD SAFETY LOCK

Prevent accidents involving your microwave with the child lock.



DEFROSTING RACK

An innovative rack design allows you to defrost more food with greater efficiency via enhanced wave balance and circulation.



KITCHEN TIMER

Make good use of your time! A handy built-in timer will alert you when your meal is ready.

INSTALLATION GUIDE

CLEARANCES AND DIMENSIONS

- Dimensions that are shown in Figure 1 must be used. Given dimensions provide minimum clearance. Locate outlet in the shaded area in the upper left-hand corner of the cutout. (See Figure 3)
- Contact surface must be solid and level. Pay special attention to the floor on which the Microwave Drawer will sit. The floor of the opening should be constructed of plywood strong enough to support the weight of the oven (about 100 pounds).
- Check location where the Microwave Drawer will be installed for proper electrical supply.
- Your oven can be built into a cabinet or wall by itself, or under a gas or electric wall oven.
- Be sure that the clearance of the floor between the wall oven and the microwave drawer is a minimum of 2 inches.
- The microwave interior will easily accommodate a 9" x 13" oblong dish or a bag of microwave popcorn.

MICROWAVE DRAWER MEASUREMENTS

Figures 1 & 2 contain many Microwave Drawer measurements for reference when planning the drawer's location. This Microwave Drawer can be installed below any electric or gas wall oven.

NOTE: Can also be installed using an electric outlet in an adjacent cabinet within the area where the provided electrical cord can reach. Power cord access hole in cabinet should be a minimum 1 1/2" diameter hole and deburred of all sharp edges.

IMPORTANT: Always all sufficient power cord length to the electrical outlet to prevent tension, and always check electrical codes for requirements.

ELECTRICAL OUTLET AND ANTI-TOP BLOCK

To reduce the risk of tipping the microwave drawer, the anti-top block must be properly located 14 13/16" above the floor where the microwave will sit. The 6" anti-top block must be provided by the installer. The anti-tip block prevents serious injury which might be result from spilled hot liquids. If the microwave drawer is ever moved to a different location, the anti-top block must also be moved and installed. When secured to the wall, make sure the screws completely penetrate the dry wall and are secured in wood or metal to stabilize the block. When fastening, be sure the screws do no penetrate electrical wiring or plumbing. The electrical requirements are 120 volt, 60 Hz, AC only, and 15 amp. It is recommended that a separate circuit serving only this appliance is provided. The drawer is equipped with a 3-prong grounding plug and must be plugged into awall receptacle that is properly installed and grounded. If you only have a 2-prong outlet, allow a qualified electrician to install a correct wall receptacle.

NOTE: If you have any questions about the grounding or electrical instructions, consult a qualified electrician or service person. The microwave drawer can also be installed using an electrical outlet in an adjacent cabinet within the area where the provided electrical cord can reach. Always check if the electrical cord can reach.

GROUNDING INSTRUCTIONS

This appliance must be grounded. The microwave drawer must be plugged into a wall receptacle that is properly installed and grounded in accordance with the National Electrical Code along with local codes and ordinances. In the event of an electrical short circuit, grounding reduced risk of electrical shock by providing an escape wire for the electrical current.

FIGURE 1

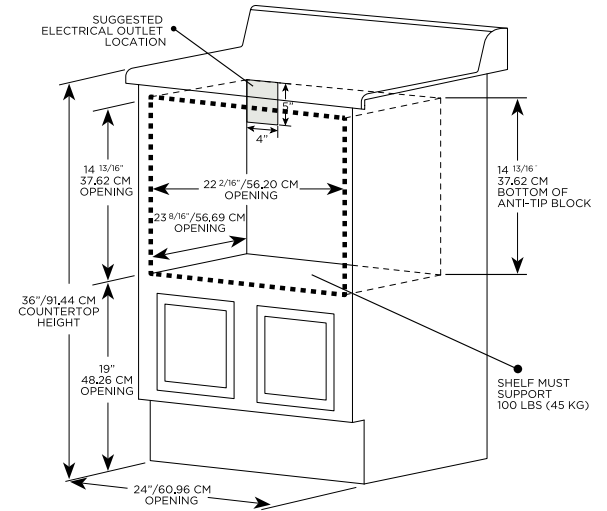


FIGURE 2

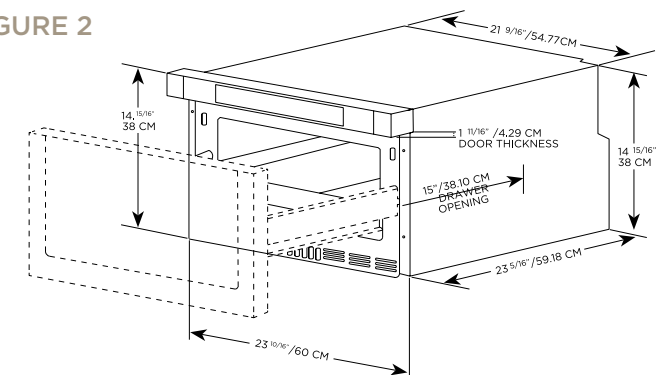
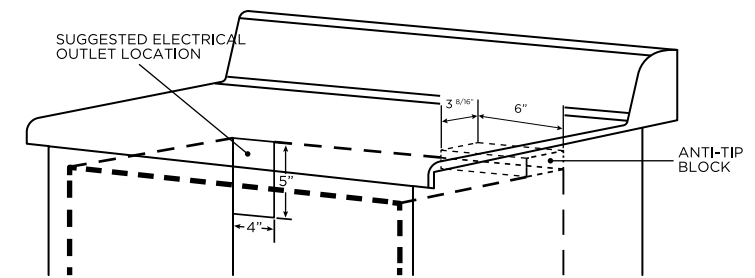


FIGURE 3



Spec sheets are subject to change without notice. For further questions and more detailed information, please visit www.forteappliances.com