

5 SERIES MICROWAVE

1.5 Cubic Ft. • Convection • Over The Range

F3015MVC5SS

FRONT



OPEN



45° ANGLE



PRODUCT DIMENSIONS

Width	29.86in.	75.8cm
Height	16.43 in.	41.7cm
Depth	15.06 in.	38.3cm
Weight	53.6 lbs.	24.3kg
Capacity	1.5 cu. ft.	42.48L
Turntable	16.5 in.	41.9cm
Available Colors	Stainless Steel	

ADDITIONAL SPECS

Rated Voltage	120V-60Hz
Rated Input	1500W
Rated Output	1000W
Warranty Terms	2 Year
Certification	UL Certification

FEATURES:



10 POWER LEVELS

Unrivaled flexibility with 10 unique power levels.



VENTILATION FAN

A 300-CFM two-speed venting system doubles as a hood by removing smoke, steam, and odors from your kitchen.



INTERIOR LIGHT

Ultra bright LED interior light gives you a full view of your food.



AUTO-COOK CONTROLS

Utilize the pre-set cooking menu to easily defrost, melt, or warm up your food.



CONVECTION MODES

Multiple convection cooking methods provide versatile, swift cooking capable of ConvecBake and ConvecRoast options.



TURNTABLE CONTROLS

Choose when to rotate the turntable to best accommodate your preferred food.



SENSOR COOKING

By detecting vapor emitted from food, the microwave adjusts cooking times and power levels accordingly.



CHILD SAFETY LOCK

Prevent accidents involving your microwave with the child lock.

INSTALLATION GUIDE

ELECTRICAL NOTES:

- This microwave oven requires a 120V 3-pronged grounded outlet. Do not use with an extension cord.

INSTALLATION NOTES:

- The mounting surface must be capable of supporting the cabinet load, in addition to the added weight of the microwave (50-60 lbs./ 22.7-27.21 kg) and maximum oven loads (50 lbs./ 22.7 kg); or a total maximum weight of 110 lbs. / 48.9 kg.
- This product cannot be installed in island or peninsula arrangements, it must be mounted to both a top cabinet and a wall.
- The space between the cabinets must be 30" (76.2cm) wide and free of obstructions.
- When installing the microwave over a range, leave a minimum of 2" from the bottom of the microwave to the top of the range backguard for removal of the light covers.
- When installing the microwave oven beneath smooth flat cabinets, be careful to follow the instructions on the top cabinet template for power cord clearance.
- If you are going to vent your microwave oven to the outside, see Hood Exhaust Section for exhaust duct preparation.

VENTILATION OPTIONS:

This microwave oven is designed for adaptation to three types of ventilation:

- Outside Top Exhaust (Vertical Duct)
- Outside Back Exhaust (Horizontal Duct)
- Recirculating (Non-Vented Ductless)

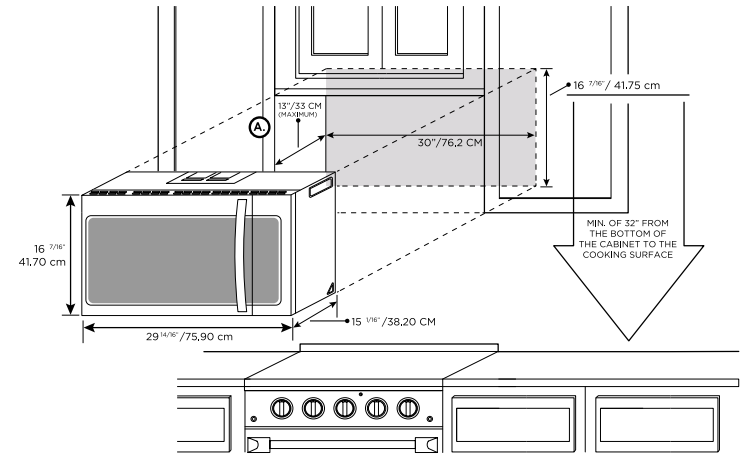
NOTE: This microwave is shipped for recirculating. To change ventilation method, view the appropriate section in the Installation Manual.

Hood Exhaust Duct: Outside ventilation requires an external exhaust duct. Read the following carefully.

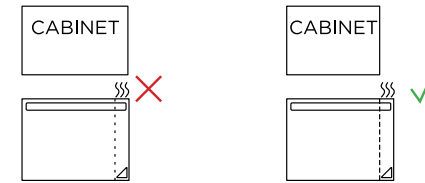
Exhaust Connection: The exhaust adaptor has been designed to mate with a standard 31/4" x 10' (8.2 x 25.4cm) rectangular duct.

Rear Exhaust: If a rectangular-to-round transition adaptor is used, the bottom corners of the damper will have to be cut to fit, using the tin snips, in order to allow free movement of the damper.

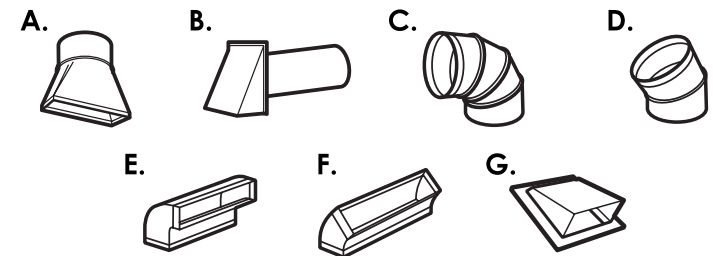
Maximum Duct Length: For satisfactory air movement, the total duct length of 31/4" x 10" (8.2 x 25.4 cm) rectangular or 5" (10.5 cm) diameter/6" (15.2 cm) diameter round duct should not exceed 120 equivalent feet (36.5 m). Elbows, transitions, wall and roof caps, etc., present additional resistance to airflow and are equivalent to a section of straight duct which is longer than their actual physical size. When calculating the total duct length, add the equivalent lengths of all transitions and adaptors plus the length of all straight duct sections. The chart shows the approximate dimensions of some typical ducts.



NOTE: If the cabinet depth including the cabinet doors is more than 13" / 33 cm then the unit must be spaced out from the wall using adequate materials supporting 150 lbs to allow proper top vent air exhaust/intake.



DUCT	DIMENSIONS
A. Rectangular-to-Round Transition Adaptor	5 ft. / 1.5 m
B. Wall Cap	40 ft. / 12.2 m
C. 90° Elbow	10 ft. / 3 m
D. 45° Elbow	5 ft. / 1.5 m
E. 90° Elbow	25 ft. / 7.6 m
F. 45° Elbow	5 ft. / 1.5 m
G. Roof Cap	24 ft. / 7.3 m



Spec sheets are subject to change without notice. For further questions and more detailed information, please visit www.forteappliances.com