

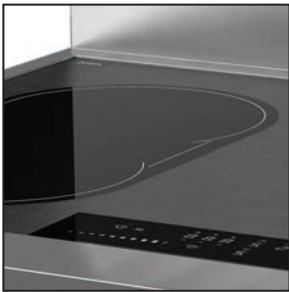
## STANDARD FEATURES



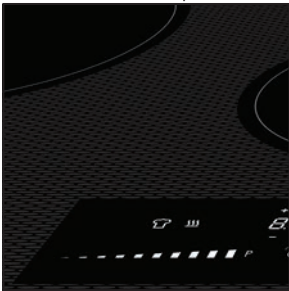
## 30" INDUCTION RANGETOPS

- Powerful, energy-efficient induction burners only heat up cooking surface area under cookware.
- Precision temperature control delivers consistent cooking results.
- Industry exclusive Marquise Accented™ glass cooking surface presents an authentic visual connection to the Hestan design integrity.
- Slide touch controls offer smooth, precise selection of power.
- Low simmer allows for gentle cooking for even the most delicate of sauces.

Slide Touch Control



Power Boost Option



Control Panel Color Options



- Cookware detection system safely shuts off induction burners when cookware is removed. When cookware is returned, original temperature setting is reestablished.
- Locking feature provides additional safety and peace of mind.
- 2 Timer functions allow for an independent timer or a timer for each individual cooking zone from 1 to 59 minutes.
- Automatic Power Boost heating function allows for elements to heat up more quickly to the desired heat setting.
- Residual heat indicator warns the user that the glass is still hot in the cooking zone after use.
- Bridge function for elongated pans.
- Audible alerts and feedback provide certainty of control interface.
- Clean and knobless Marquise Accented™ control panel.
- Warming function maintains low temperature for extended periods.
- Comes standard with Island Trim.
- Available in black glass only.

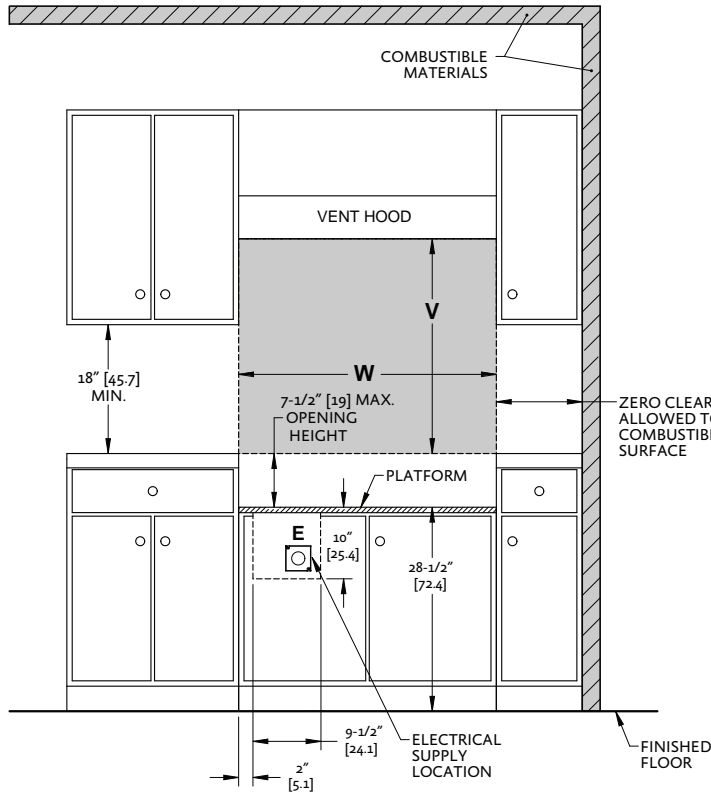


*KRTI30 with 10" KBGLB 30  
optional backguard  
Model Shown*

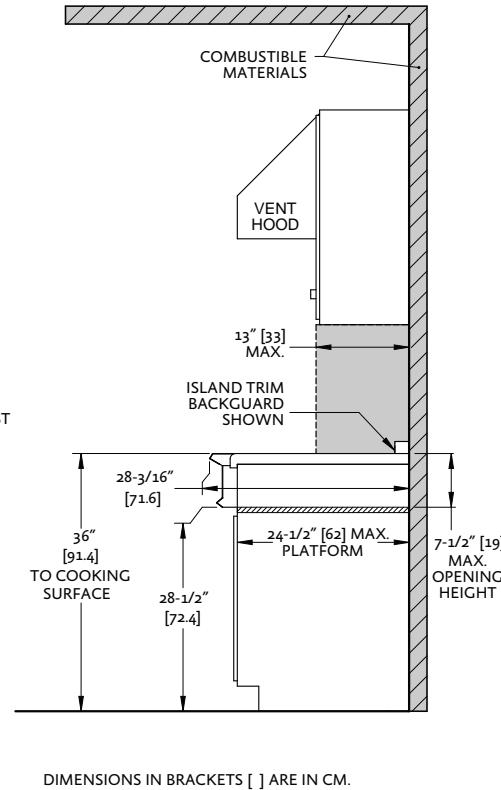
## OPTIONS & ACCESSORIES

- Available in 12 Hestan signature color finishes
- Backguards : Low Back 10" and High Shelf 20"

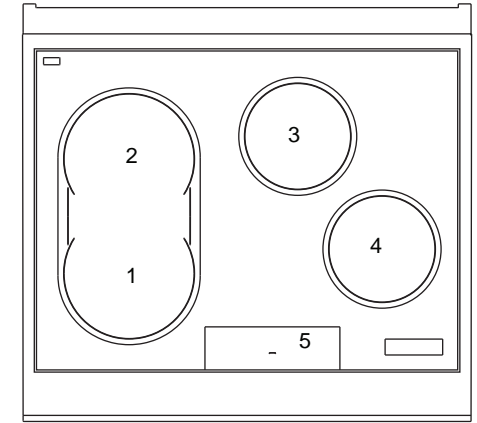
## INSTALLATION CLEARANCES - ALL BACKGUARDS



**FRONT VIEW**



**SIDE VIEW**



Key	Induction element size & power rating
1	7-1/2" x 8-3/4" [185 mm x 220 mm] - 2100W (Booster 3700W)
2	7-1/2" x 8-3/4" [185 mm x 220 mm] - 2100W (Booster 3700W)
3	7" [180 mm] - 1850W (Booster 3000W)
4	7" [180 mm] - 1850W (Booster 3000W)
5	touch control

**NOTES:**

- SHADED AREAS INDICATE WHERE COMBUSTIBLE MATERIALS ARE NOT ALLOWED.
- APPLIANCE TOP MUST BE LEVEL OR HIGHER THAN THE ADJACENT COUNTERTOP SURFACES.
- "E" IS ELECTRICAL SUPPLY ZONE.
- "W" IS APPLIANCE OPENING.
- "V" IS MIN. CLEARANCE TO VENTILATION HOOD.

**ELECTRICAL REQUIREMENTS :**

208/240V, 60Hz, 40 amps

Hestan Indoor products are approved for indoor use only. Hestan Commercial Corporation reserves the right to change materials and specifications without notice. Please reference our Installation Instructions for more elaborate detail and as the main source in your dimensional planning.

RANGETOP MODEL	W	V (MIN)
KRTI30	30" [76.2]	30" [76.2]

ALL Models	Description	Cutout Dimensions		Circuit Breaker Req	Approx SHP WT (lbs)
		W (in.)	D (in.)		
KRTI30	30" Induction Rangetop with 4 Elements	30"	24-1/2"	40 Amp	134

