



701 E Industrial PK Dr  
Manchester NH 03109  
877-364-8464  
www.sunsettrading.com  
info@sunsettrading.com

Sunset Trading®

a div of Sunset Furniture Intl.LLC

\*\*Pls Check to make sure you have all parts otherwise contact local retailer or Sunset Trading customer service at 877-364-8464"

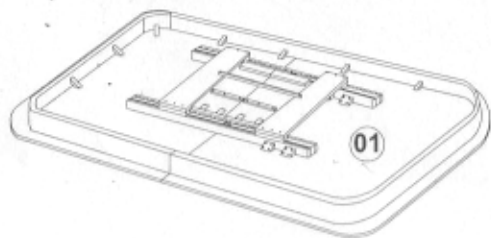
Thank You for purchasing this Quality product. It has been engineered for easy assembly yet constructed for durability. Please take the time to read and follow the instruction while assembling.

# ASSEMBLY INSTRUCTION Double Butterfly Leaf Table

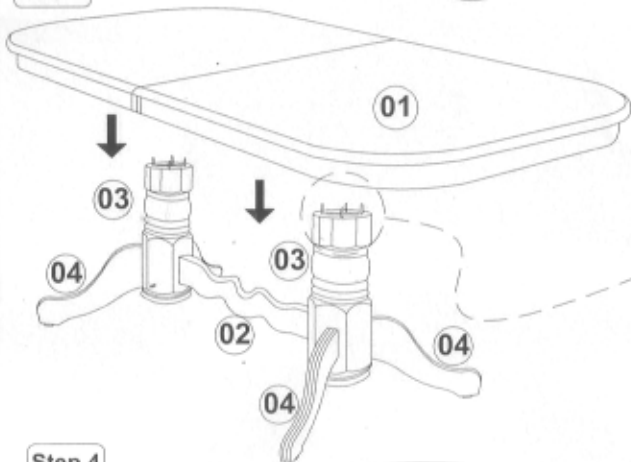
42" x 68" x 82" x 96" x30" H

Model : DLU-BR-TTB-4296-T&B (TSEEB-1333)

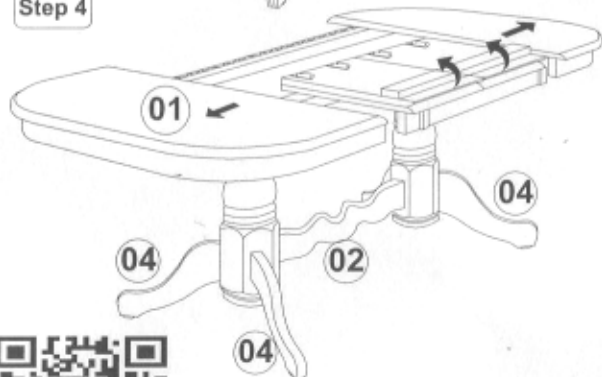
Step 1



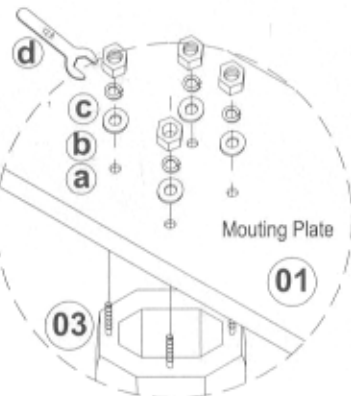
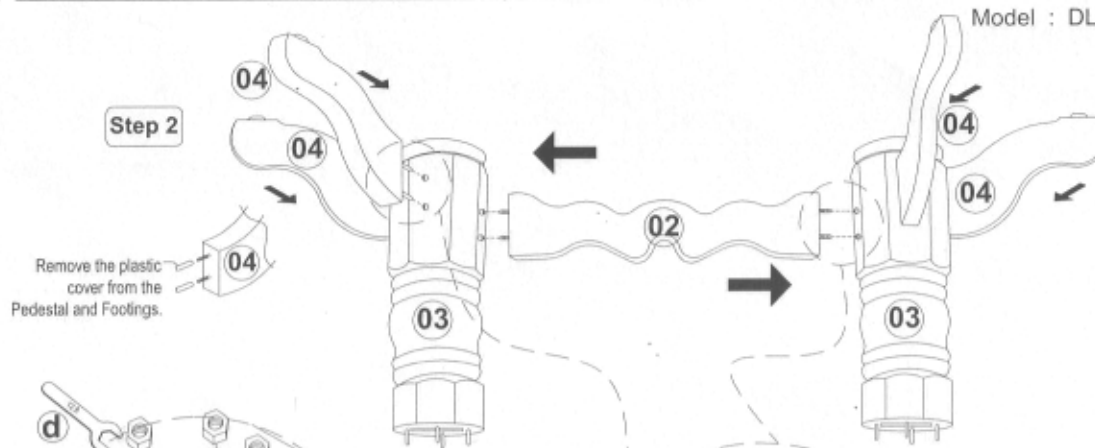
Step 3



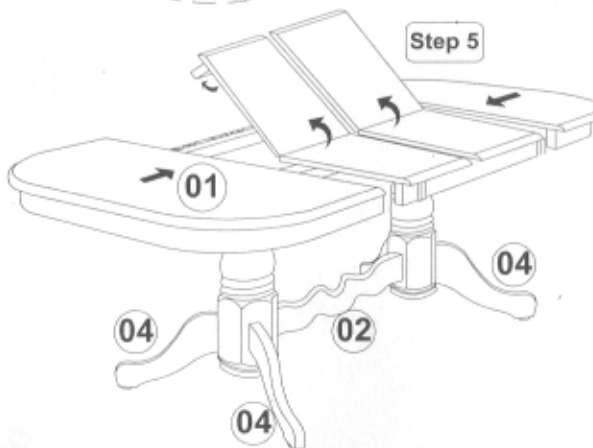
Step 4



Step 2



Step 5



List of Part For 1 Set

01		Table Top	1
02		Bottom Center Rail	1
03		Pedestal	2
04		Table Leg	4

List of hardware For 1 Set

a		Flat Washer 5/16" x 22mm	20
b		Spring Washer 5/16"	20
c		Hexagon Nut 5/16" x 7mm	20
d		Spanner 12.8 mm	1

### Important Notes

- \* Keep all hardware parts out of reach of children.
- \* Must tighten screws periodically. With use screws will become loose. Check tightness of all screws every 6-8 weeks.
- \* Don't attempt to repair or modify parts that are broken or defective. Please contact the store immediately.
- \* Do not tighten all screw / bolt until all completely assembled

Assembly Completed !!..

MADE IN MALAYSIA

