



Thank You for purchasing this Quality product. It has been engineered for easy assembly yet constructed for durability. Please take the time to read and follow the instruction while assembling.

# ASSEMBLY INSTRUCTION

## BROOK LADDER BACK CHAIR

19" X 21" X 42"

Sunset Trading®

a div. of Sunset Furniture Int'l LLC

701 E Industrial PK Dr  
Manchester NH 03109  
877-364-8464

www.sunsettrading.com  
info@sunsettrading.com

\*\*Pls Check to make sure you have all parts otherwise contact local retailer or Sunset Trading customer service at 877-364-8464"

Model : DLU-BR-C80-PW-A-RTA  
(C1535-ARTA)

### List of Part For 1 Set

| Code | Figure | Part                     | Qty. |
|------|--------|--------------------------|------|
| 01   |        | Seat                     | 1    |
| 02   |        | Back Frame               | 1    |
| 03   |        | Leg (Left)               | 1    |
| 04   |        | Leg (Right)              | 1    |
| 05   |        | Left Side Stretcher (L)  | 1    |
| 06   |        | Right Side Stretcher (R) | 1    |
| 07   |        | ARM (R)                  | 1    |
| 08   |        | ARM (L)                  | 1    |

### List of hardware For 1 Set

| Code | Figure | Hardware                  | Qty. |
|------|--------|---------------------------|------|
| a    |        | Hex. Bolt M6 x 80mm       | 4    |
| b    |        | Hex. Bolt M6 x 60mm       | 4    |
| c    |        | Hex. Bolt M6 x 40mm       | 4    |
| d    |        | Flat Washer 1/2" x 18mm   | 12   |
| e    |        | Spring Washer 1/2" x 18mm | 12   |
| f    |        | Spanner 10mm              | 1    |
| g    |        | PHRS Screw # 8 x 1 1/2"   | 4    |
| h    |        | Wood Button               | 2    |
| i    |        | JCBC Bolt M 6 x 35mm      | 2    |
| j    |        | Allen Key M 4             | 1    |

### Important Notes

- \* Keep all hardware parts out of reach of children.
- \* Must tighten screws periodically. With use screws will become loose. Check tightness of all screws every 6-8 weeks.
- \* Don't attempt to repair or modify parts that are broken or defective. Please contact the store immediately.
- \* Do not tighten all screw / bolt until all completely assembled.

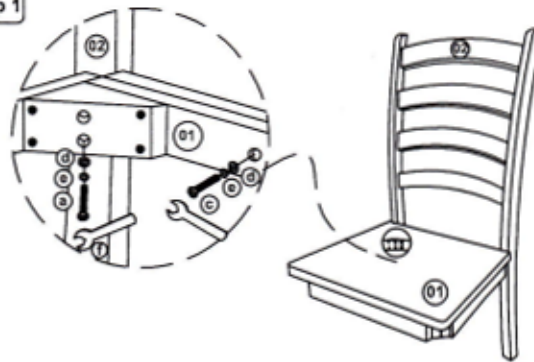
### Notes

- \* Place all wooden parts on a clean and smooth surface such as a rug or carpet to avoid the parts from being scratched.
- \* Check to be sure that you have all parts and hardware.
- \* Remove all wrapping materials including staples & packing straps before you start to assemble.
- \* Do not tighten all screws / bolts until all completely assembled.

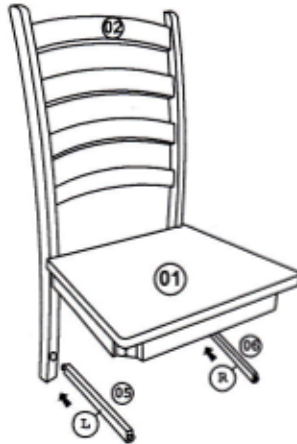
### Care And Maintenance

- \* The Touch of a soft cloth is all the maintenance your wood pieces will ever need.
- \* Never use harsh chemicals or abrasive cleaner as they could mark or destroy finish.

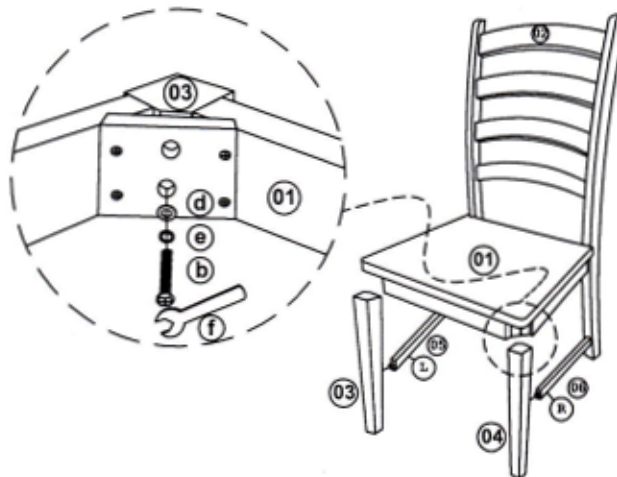
### Step 1



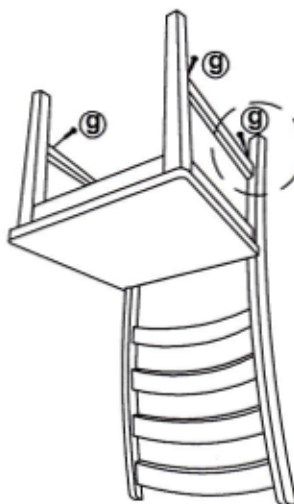
### Step 2



### Step 3



### Step 4



### Step 5

