



Thank You for purchasing this Quality product. It has been engineered for easy assembly yet constructed for durability. Please take the time to read and follow the instruction while assembling.

**ASSEMBLY INSTRUCTION**  
**BROOK LADDER BACK CHAIR**  
 19" X 21" X 42"H

**Sunset Trading**  
 a div of Sunset Furniture Intl LLC

701 E Industrial PK Dr  
 Manchester NH 03109  
 877-364-8464  
 www.sunsettrading.com  
 info@sunsettrading.com

\*\*Pls Check to make sure you have all parts otherwise contact local retailer or Sunset Trading customer service at 877-364-8464"

Model : DLU-BR-C80-PW-RTA  
 (C1535-RTA)

**List of Part For 1 Set**

Code	Figure	Part	Qty.
01		Seat	1
02		Back Frame	1
03		Leg (Left)	1
04		Leg (Right)	1
05		Left Side Stretcher (L)	1
06		Right Side Stretcher (R)	1

**List of hardware For 1 Set**

Code	Figure	Hardware	Qty.
a		Hex. Bolt M6 x 80mm	4
b		Hex. Bolt M6 x 60mm	4
c		Hex. Bolt M6 x 40mm	2
d		Flat Washer 1/4" x 18mm	10
e		Spring Washer 1/4"	10
f		Spanner 10mm	1
g		PHRS Screw # 8 x 1 1/2"	4

**Important Notes**

- \* Keep all hardware parts out of reach of children.
- \* Must tighten screws periodically. With use screws will become loose. Check tightness of all screws every 6-8 weeks.
- \* Don't attempt to repair or modify parts that are broken or defective. Please contact the store immediately.
- \* Do not tighten all screw / bolt until all completely assembled.

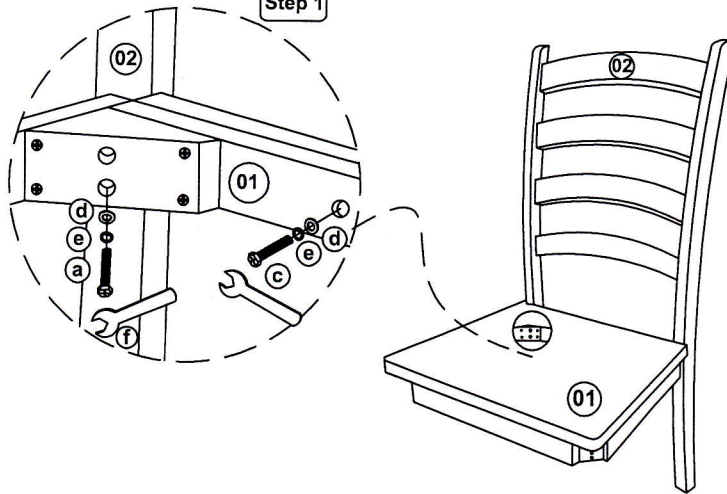
**Notes**

- \* Place all wooden parts on a clean and smooth surface such as a rug or carpet to avoid the parts from being scratched.
- \* Check to be sure that you have all parts and hardware.
- \* Remove all wrapping materials including staples & packing straps before you start to assemble.
- \* Do not tighten all screws / bolts until all completely assembled.

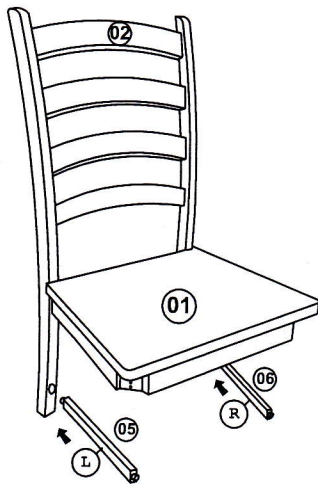
**Care And Maintenance**

- \* The Touch of a soft cloth is all the maintenance your wood pieces will ever need.
- \* Never use harsh chemicals or abrasive cleaner as they could mark or destroy finish.

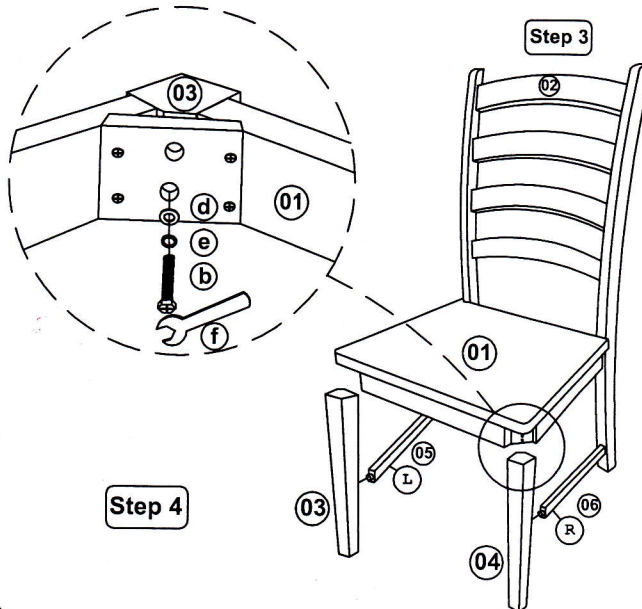
**Step 1**



**Step 2**



**Step 3**



**Step 4**

