

Frigidaire



Top Freezer Refrigerator

20.0 Cu. Ft. Top Freezer Refrigerator

FFTR2045VW, FFTR2045VB, FFTR2045VD

Available Colors : Stainless Steel, White, Black, Black Stainless Steel

Version : 04/21

Refrigerator

Crisper Color	Clear
Door Bin Color	Clear
Humidity Controls	Automatic
Interior Lighting	LED
Shelf Material	Glass
Number of Fixed Gallon Door Bins	3
Number of Adjustable Shelves	2
Number of Crispers	2

Freezer

Automatic Defrost	Yes
Baskets / Bins Color	Clear
Shelf Material	Glass
Number of Fixed Door Bins	2
Number of Adjustable Shelves	1

Ice Maker

Ice Maker	No
-----------	----

Controls

Digital Display	No
-----------------	----

Dimensions and Volume

Height With Hinge	66 3/8"
Height Without Hinge	65 7/8"
Width	30"
Width of Cabinet	30"
Depth of Cabinet	28 1/4"
Depth With Door	32"
Depth With Door 90° Open	58 5/8"
Depth With Door and Handle	32"
Fresh Food Capacity	14.6 Cu. Ft.
Freezer Capacity	5.4 Cu. Ft.
Total Capacity	20 Cu. Ft.

Electrical Specifications

Minimum Circuit Required	15 Amps
--------------------------	---------

General Specifications

Product Weight	170 lbs
Warranty - Labor	1 Year
Warranty - Parts	1 Year

Certifications and Approvals

ADA Compliant	Yes
---------------	-----

Performance Certifications and Approvals

ENERGY STAR Certified	No
-----------------------	----

Safety Certifications and Approvals

UL Listed	Yes
-----------	-----

Note: For planning purposes only. Always consult local and national electric, gas and plumbing codes.

Refer to Product Installation Guide for detailed installation instructions on the web at frigidaire.com / frigidaire.ca

Specifications subject to change. Accessories information available on the web at frigidaire.com / frigidaire.ca

USA • 10200 David Taylor Drive • Charlotte, NC 28262 • 1-800-FRIGIDAIRE • frigidaire.com

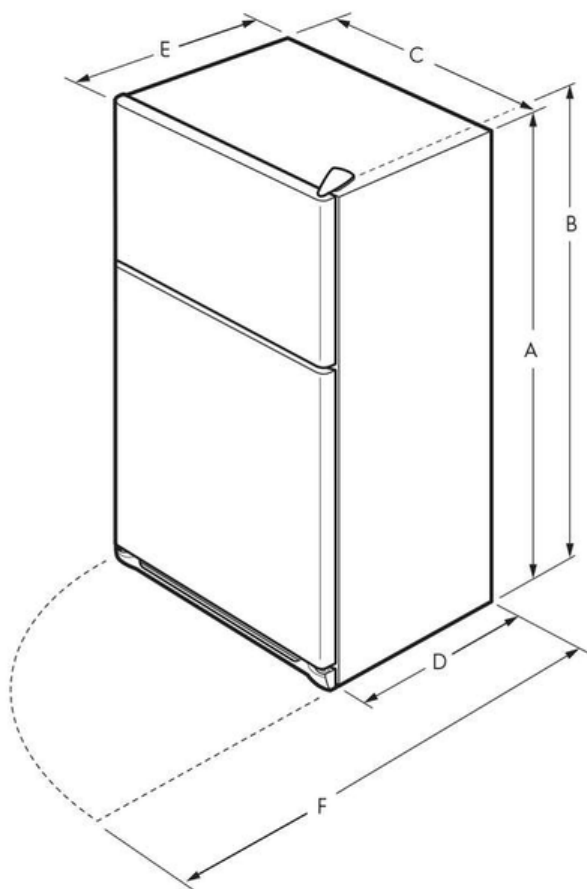
CANADA • 5855 Terry Fox Way • Mississauga, ON L5V 3E4 • 1-800-265-8352 • frigidaire.ca

Frigidaire

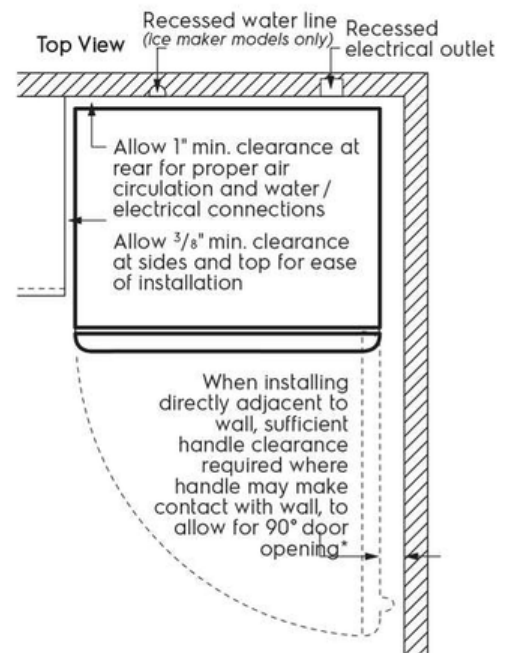
20.0 Cu. Ft. Top Freezer Refrigerator

LFTR2045VF, FFTR2045VW, FFTR2045VB,
FFTR2045VD

Version : 04/21



A	65 ⁷ / ₈ "
B	66 ³ / ₈ "
C	30"
D	28 ¹ / ₂ "
E	32"
F	58 ⁵ / ₈ "



* When installing refrigerator adjacent to wall, cabinet or other appliance that extends beyond front edge of unit, 20" minimum clearance recommended to allow for optimum 140° door swing, providing complete crisper access and removal. (Absolute 3" minimum clearance will ONLY allow for 90° door swing which will provide limited crisper access with restricted removal.)

Note: For planning purposes only. Always consult local and national electric, gas and plumbing codes.

Refer to Product Installation Guide for detailed installation instructions on the web at frigidaire.com / frigidaire.ca

Specifications subject to change. Accessories information available on the web at frigidaire.com / frigidaire.ca

USA • 10200 David Taylor Drive • Charlotte, NC 28262 • 1-800-FRIGIDAIRE • frigidaire.com

CANADA • 5855 Terry Fox Way • Mississauga, ON L5V 3E4 • 1-800-265-8352 • frigidaire.ca