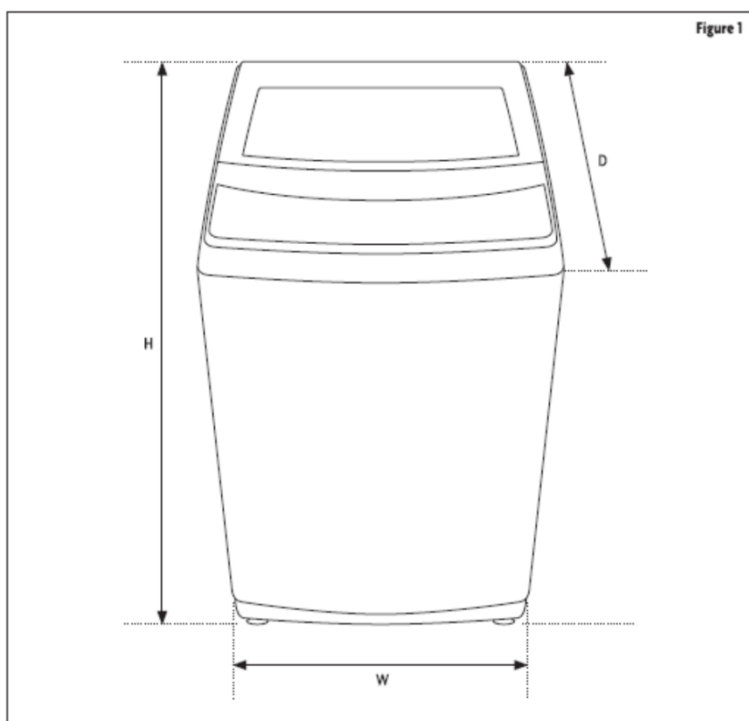




SPECIFICATIONS



Model	MCSTCW17W5 / MCSTCW17G5	MCSTCW20W6 / MCSTCW20G6	MCSTCW30W5
Capacity	1.7 cu. ft.	2.0 cu. ft.	3.0 cu. ft.
Dimensions (W x D x H)	20.3" x 20.7" x 36.7"	21.7" x 22.2" x 37.0"	23.7" x 24.8" x 39.4"
Weight	72.8 lbs. (33.0 kg)	81.6 lbs. (37.0 kg)	97.0 lbs. (44.0 kg)
Power Supply	120V / 60Hz	120V / 60Hz	120V / 60Hz
Rated Current	6.0 A	6.5 A	7.0 A