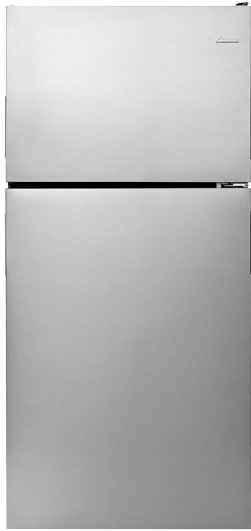




18 cu. ft. Top-Freezer Refrigerator

ART308FFD



Monochromatic Stainless Steel
ART308FFDM

Also available in:

- White **ART308FFDW**
- Black **ART308FFDB**

Capacity	
Total Capacity	18 cu. ft.
Refrigerator Capacity	13 cu. ft.
Freezer Capacity	5 cu. ft.

General Features & Properties	
Dairy Bin	
Electronic Temperature Controls	
Optional Automatic Icemaker Kit	
Reversible Doors	
18 cu. ft. Capacity	
Save Money and Energy	

Electrical Details	
Amps	15 or 20
Volts	115

Certifications	
ADA Compliant	Yes

Technical Details	
Refrigerator Type	Top-Freezer
Number of Doors	2
Number of Interior Refrigerator Shelves	3
Number of Refrigerator Door Bins	5 Fixed
Number of Interior Freezer Shelves	1
Number of Freezer Door Bins	2 Fixed
Lighting Type	Incandescent
Ice Maker	Optional
Ice Maker Location	Freezer
Dispenser Type	N/A

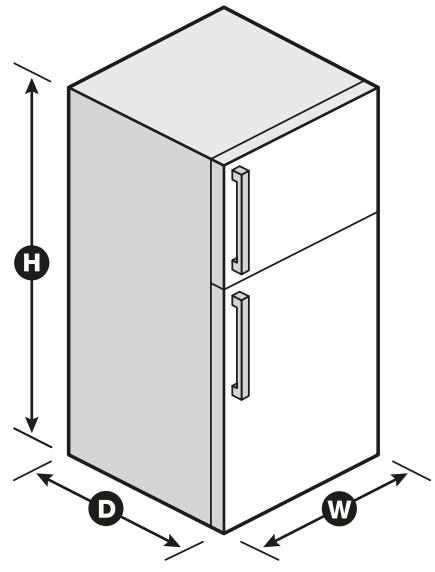
Dimensions	
Product Dimensions (H x W x D)	65-7/8" x 29-3/4" x 31-3/8"
Depth with Door Open 90°	59-3/4"
Cutout Dimensions	Allow extra 1/2" on sides and top Allow extra 1" on rear

Reference Material

- [Dimension Guide](#)
- [Use & Care Guide](#)
- [Energy Guide](#)
- [Warranty](#)

Key Features & Benefits

- Humidity-Controlled Garden Fresh™ Crispers**
Keep fruits and veggies right where you can see them.
- Gallon Door Storage Bins**
Store big beverages and keep them within reach.
- Flip-Up Storage**
Fit tall containers with this adjustable flip-up shelf.



NOTE: Dimensions are for planning purposes only. For complete details, see Installation Instructions packed with product. Specifications subject to change without notice.
 ®/™ © 2020. All rights reserved. Printed in the U.S.A. D200052XXC. ART308FFDSPECSHEETV01.